

ALFA GIULIETTA (116)

All prices including tax, delivery costs are extra

Table Of Content

BODY	4
LIGHTING	4
FENDER PANEL/SILL	5
WHEELARCH/ENDPANEL	6
DOOR PANEL	7
CAR COVER	8
ENGINE	9
V-BELTS	9
FUEL SYSTEM	10
FUEL PUMP	10
FUEL MANAGEMENT	11
INTAKE MANIFOLD	11
ENGINE GASKETS	12
GASKETS ENGINE	12
HEAD SET	13
FULL SET	14
REINZ UNIVERSAL	15
COOLING SYSTEM	16
RADIATOR	16
1.3	16
1.6	17
1.8	18
2.0	19
THERMOSTAT	20
1.3	20
1.6	21
1.8	22
1.8 Turbo	23
2.0	24
WATERPUMP	25
1.6	25
1.3	26
1.8	27
1.8 Turbo	28
2.0	29
RADIATOR HOSES	30
ENGINE MOUNT	31
VALVE GEAR	32
CAMSHAFT	32
TIMING CHAIN	33
VALVE MECHANISM	34
PISTONS/BEARINGS	35
PISTONS	35
BEARINGS	36
FILTER	38

FILTER	38
EXHAUST SYSTEM	39
2.0 TD	39
1.3	40
1.6	41
1.8	42
2.0	43
DRIVETRAIN	44
DRIVESHAFT	44
GEAR MOUNT	45
CLUTCH SET	46
CLUTCH ACTUATION	47
SIDE SHAFT 1.3/1.6/1.8/2.0	48
SUSPENSION	49
SPRINGS	49
SHOCK ABSORBER	50
ATTACHMENT FRONT	51
ATTACHMENT REAR	52
STABILIZER FRONT	53
STABILIZER REAR	54
WHEEL BEARING	55
STEERING	56
STEERINGPARTS	56
BRAKES	57
BRAKE DISCS	57
BRAKE PADS	58
BRAKE PAD ATTACHMENT	59
CALIPER	60
BRAKE SERVO/BRAKE MASTER CYL.	61
BRAKE VALVE	62
BRAKE HOSES	63
BRAKE CABLE	64
ELECTRIC	65
ENGINE ELECTRIC	65
DISTRIBUTOR	65
IGNITION PARTS	66
STARTER/ALTERNATOR	67
IGNITION SWITCH	68
MISCELLANEOUS	69
CAR COVER	69
BATTERY CHARGERS	70
FENDER PROTECTOR	71

Beleuchtung/Lighting Giulietta (116)

1. 151 551
rechts/right

2. 151 552
links/left



3. 154 12183
rechts/right

4. 154 12184
links/left



5. 152 340
links/rechts/
left/right

6. 153 12398
rechts/right

7. 153 12399
links/left



1	151551	RIGHT MAIN HEADLIGHT GIULIETTA(WITHOUT HEADLIGHT CLEANING) H4	DKK1,645.71
2	151552	OE. 60730030 HEADLAMP GIULIETTA (116) H4, LEFT	On request
3	15412183	INDICATOR LENSE RIGHT, GIULIETTA (116)	On request
4	15412184	INDICATOR LENSE LEFT, GIULIETTA (116)	On request
5	152340	Nebelscheinwerfer li/re Arna Sud Sp rint, Giulietta	On request
6	15312398	Rückleuchte rechts Giulietta	On request
7	15312399	Rückleuchte links Giulietta	On request

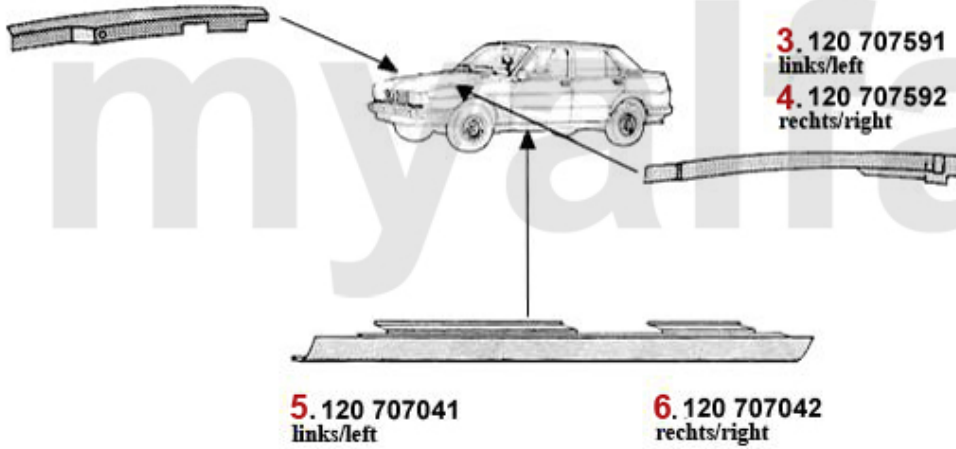
Reparaturbleche/Repairpanels Giulietta (116)

1. 120 707491

links/left

2. 120 707492

rechts/right



3. 120 707591

links/left

4. 120 707592

rechts/right

5. 120 707041

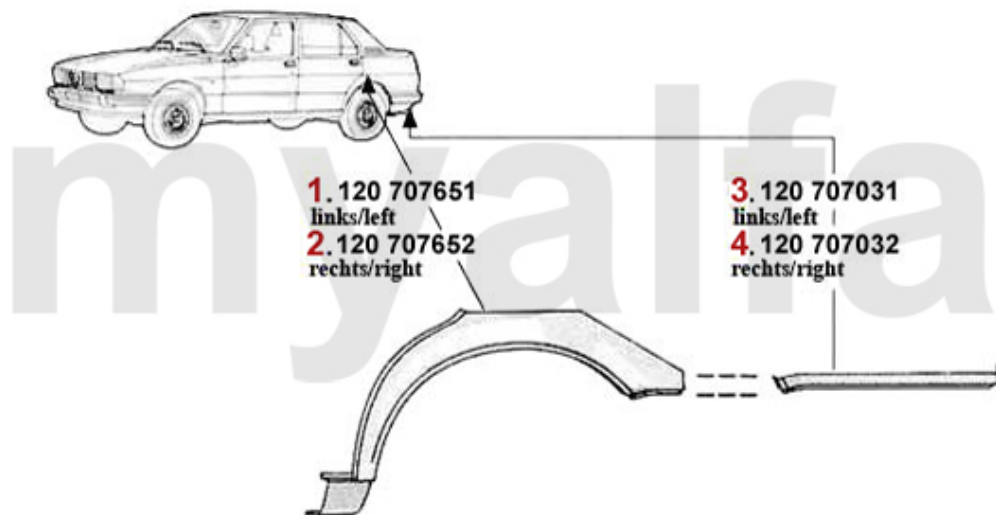
links/left

6. 120 707042

rechts/right

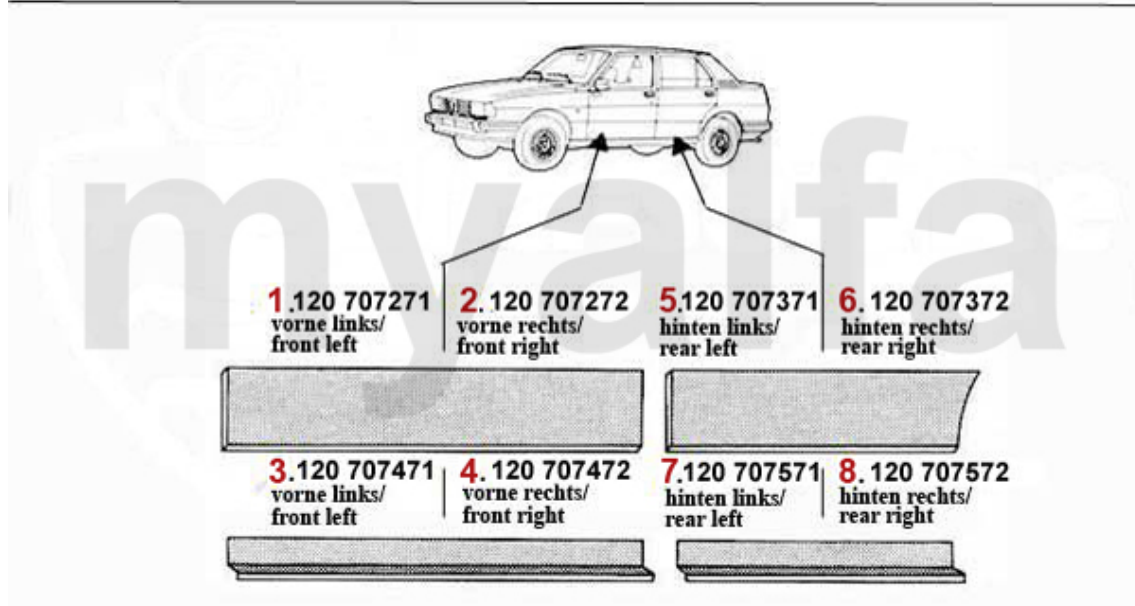
1	12007491	LEFT FENDER PANEL GIULIETTA (116)	On request
2	12007492	RIGHT FENDER PANEL GIULIETTA (116)	On request
3	12007591	Kotflügelansatz außen VL Giulietta	DKK232.81
4	12007592	Kotflügelansatz außen VR Giulietta	DKK232.81

Reparaturbleche/Repairpanels Giulietta (116)



1	12007651	Radlauf HL Giulietta	On request
2	12007652	Radlauf HR Giulietta	On request
3	12007031	LEFT GUSSET PLATE GIULIETTA	DKK352.20
4	12007032	RIGHT GUSSET PLATE GIULIETTA	On request

Reperaturbleche/Repairpanels Giulietta (116)



1	12007271	OUTER FRONT LEFT DOOR PANEL GIULIETTA	On request
2	12007272	OUTER FRONT RIGHT DOOR PANEL GIULIETTA	On request
3	12007471	FRONT LEFT DOOR BASE GIULIETTA	On request
4	12007472	FRONT RIGHT DOOR BASE GIULIETTA	On request
5	12007371	OUTER REAR LEFT DOOR PANEL GIULIETTA	DKK305.17
6	12007372	OUTER REAR RIGHT DOOR PANEL GIULIETTA	DKK305.17
7	12007571	REAR LEFT DOOR BASE GIULIETTA	DKK305.17
8	12007572	REAR RIGHT DOOR BASE GIULIETTA	DKK305.17

Car Cover Giulietta (116)

1. 911 108 0
blau/blue

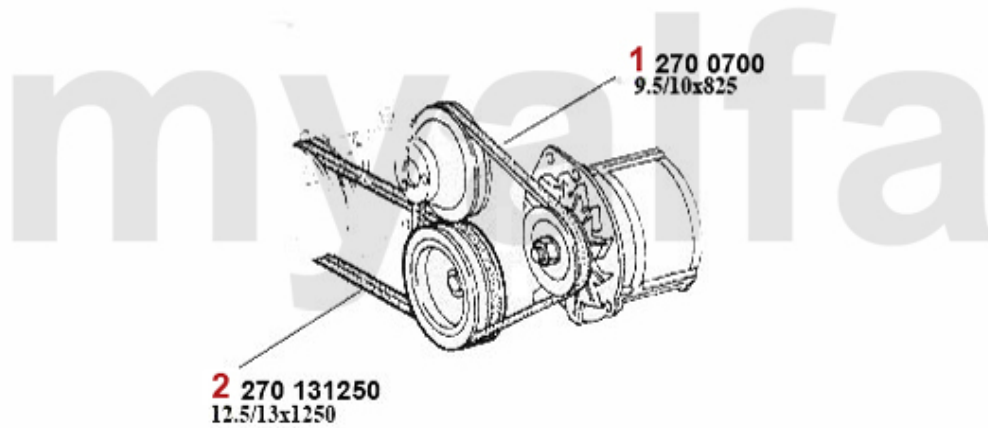
2. 911 274 0
rot/red



1 9111080 CAR COVER ECOLINE GIULIA, RED

DKK461.71

Keilriemen/V-Belt Giulietta



1 2700700 V-BELT 9.5x825

DKK69.66

2 27031250 V-BELT 12.5x1250 ALFETTA, GIULIETTA, GTV (116)
4-CYLINDERCLIMATE COMPRESSOR

DKK164.37

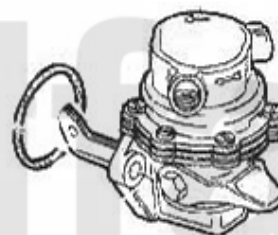
Kraftstoffpumpe/Fuel Pump Giulietta



1 253 0100
> 1980



2 253 3046
1980>



3 253 3107
TD

2 2533046 *FUEL PUMP (116) CARB. 1980>*

DKK430.42

1 2530100 *FUEL PUMP CARBURETTOR MODELS*

DKK382.65

3 2533107 *Kraftstoffpumpe 6,75,90 Alfetta TD*

On request

Ansaugbrücke/Intake Manifold Giulietta (116)



1. 233 0160
>05.1983



7. 252 0790
Satz ALU-Flansche/
set alloy flanges
>05.1983



2. 252 0180
Doppelflansch/
double flange
>05.1983
Ø 40 mm



8. 233 58501
06.1983>



3. 252 0170
Einzelflansch/
single flange
>05.1983
Ø 40 mm



9. 252 2384
Doppelflansch/
double flange
06.1983>
Ø 40 mm



4. 233 0190
>05.1983 x 8



10. 252 2383
Einzelflansch/
single flange
06.1983>
Ø 40 mm



5. 252 0340
Einzelflansch/
single flange
>05.1983
Ø 45 mm

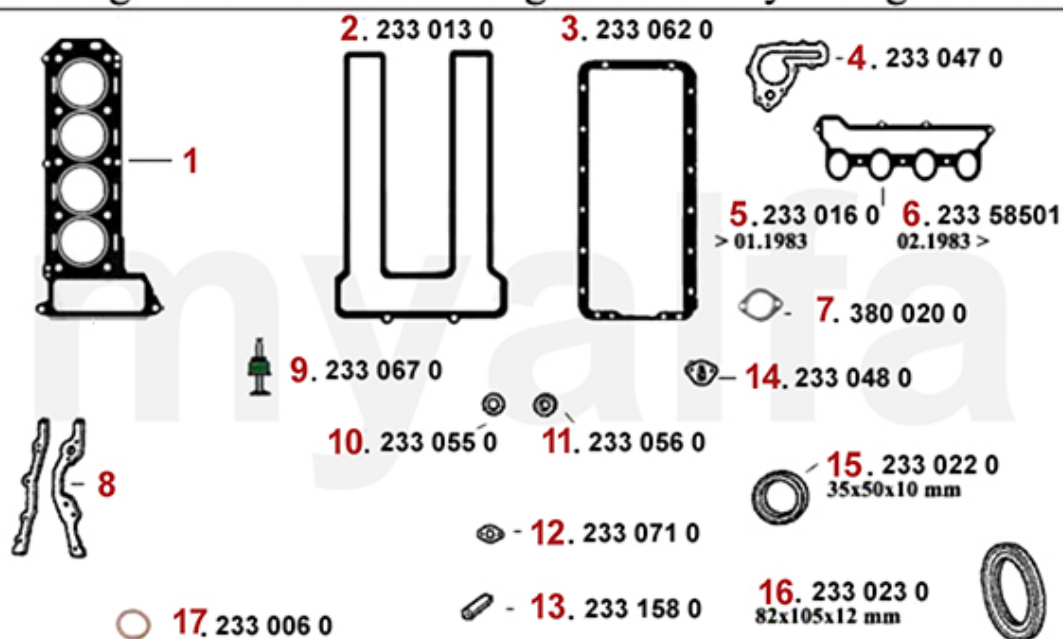
6. 233 0770
Ø 45 mm x 8



11. 233 18080
06.1983> x 4
4. 233 0190
06.1983> x 4

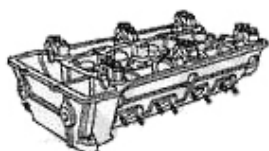
1	2330160	INTAKE MANIFOLD GASKET 1600-2000 CARBURETTOR MODELS FROM 1968 ON	DKK106.44
2	2520180	DOUBLE CARBURETTOR RUBBER MOUNT 40 mm PREMIUM QUALITY	DKK461.71
3	2520170	SINGLE CARBURETTOR RUBBER MOUNT 40 mm PREMIUM QUALITY	DKK269.97
5	2520340	CARBURETTOR RUBBER MOUNT 45 mm	DKK273.88
6	2330770	HD CARBURETTOR MOUNT GASKET 45 mm TS-9003	DKK13.69
7	2520790	SET SOLID ALUMINIUM CARBURETTOR MOUNTS 40mm 24 mm LONG	On request
9	2522384	DOUBLE CARBURETTOR RUBBER MOUNT 40 mm. 116 4-CYLINDER 06.1983>, SPIDER 1600 1990-93 PREMIUM QUALITY	DKK696.48
10	2522383	SINGLE CARBURETTOR RUBBER MOUNT 40 mm, 116 4-CYLINDER 06/1983>, SPIDER 1600 1990-93 PREMIUM QUALITY	DKK372.50
11	23318080	GASKET CARBURETTOR RUBBER MOUNT / INTAKE MANIFOLD SPIDER 1600 1990-93	DKK11.73

Dichtungen Motor/Gaskets Engine 116 4-Cyl. Vergaser/Carb.



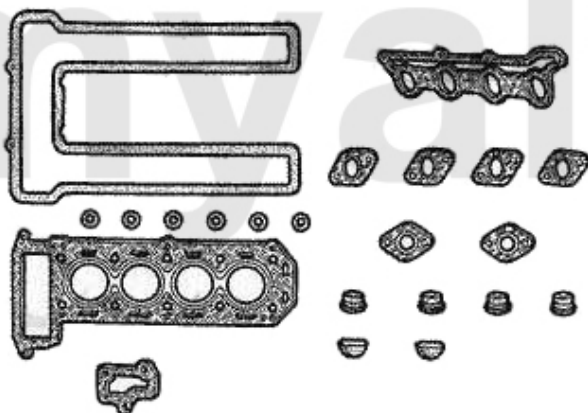
1	2330440	HEAD GASKET 1600 REINZ BEST QUALITY	DKK390.47
1	2330450	HEAD GASKET 1750 REINZ BEST QUALITY	DKK371.76
1	2330460	HEAD GASKET 2000 REINZ BEST QUALITY	DKK434.34
1	2330690	HEAD GASKET 1600 COPPER - 1.85 MM	DKK558.75
1	2330680	HEAD GASKET 2000 COPPER - 1,85MM	DKK558.75
2	2330130	CAM COVER GASKET WITH SILICONE STRIP	DKK205.81
2	2330650	VALVE COVER GASKET REINZ (2mm)	DKK296.98
3	2330620	UPPER SUMP GASKET WITH SILICONE STRIP	DKK254.32
4	2330470	WATERPUMP GASKET - 105, 115, 101 1600 - FOR MECHNICAL REV-COUNTER	DKK44.61
5	2330160	INTAKE MANIFOLD GASKET 1600-2000 CARBURETTOR MODELS FROM 1968 ON	DKK106.44
6	23358501	INTAKE MANIFOLD GASKET SPIDER 1600 1990-93	DKK147.88
7	3800200	GASKET CYLINDER HEAD / EXHAUST MANIFOLD	DKK28.96
8	2331330	TIMING COVER GASKET SET (5pc)	DKK124.42
9	2330670	VALVE SEAL reinforced inlet/black	On request
10	2330550	CAM COVER SCREW GASKET ALUMINIUM (SET 2PC) 750/101/102/106/105/116	DKK25.05
11	2330560	CAM COVER SCREW GASKET FIBRE	DKK46.19
12	2330710	GASKET REV COUNTER ALIGNMENT	DKK22.72
13	2331550	MAIN BEARING 'CIGARETTE' OIL SEAL	DKK30.92
14	2330480	FUEL PUMP GASKET	DKK18.81
15	2330220	OIL SEAL CRANK SHAFT FRONT 35/50/10	DKK74.31
16	2330230	OIL SEAL CRANK SHAFT REAR 82/105/12 750/101/105/115/116 UP TO 1989, OEM QUALITY	DKK257.49
17	2330060	SUMP PLUG WASHER SUMP / TRANSMISSION / DIFFERENTIAL	DKK12.48

Kopfdichtsatz/Head Set Giulietta (116) Vergaser/Carb.



Achtung/Attention:

Dichtsatz ohne Kopfdichtung, bitte separat bestellen!/Headset without HEADGASKET, please order seperate!



1. 232 032 0
1300-2000 ccm

2. 232 357 20
1.8 Turbo

2 23235720 *Kopfdichtsatz 1.8 Turbo*

DKK1,244.24

1 2321320 *HEAD GASKET SET WITHOUT CYLINDER HEAD GASKET
CARBURETTOR FROM 1982 ON*

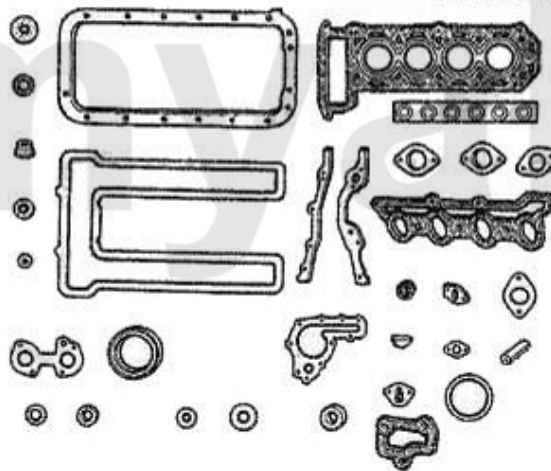
DKK430.42

Motordichtsatz/Full Set Giulietta (116)



Achtung/Attention:

In den Dichtsätzen 231 0400, 231 0410 & 231 0390 sind Zylinderkopfdichtung und Wellendichtringe nicht enthalten, bitte separat bestellen! The sets 231 0400 & 231 0410 are without HEADGASKET and OILSEALS, please order it separate!



1 . 231 0390
1300 ccm

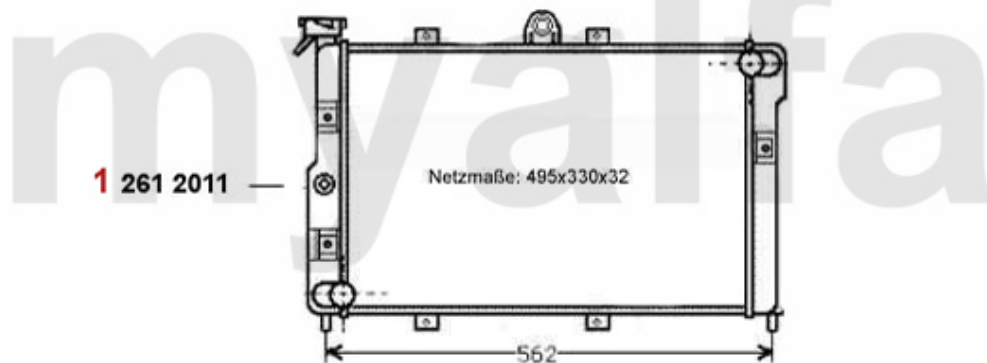
2 . 231 0400
1600 ccm

3 . 231 4220
1800 ccm/Turbo

4 . 231 0410
2000 ccm

2	2310400	ENGINE GASKET SET 1600 WITHOUT HEAD GASKET AND OIL SEALS	On request
3	23142200	OE. 60778180 FULL SET	DKK1,682.49
4	2310410	ENGINE GASKET SET 2000 WITHOUT HEAD GASKET AND OIL	On request
1	2310390	ENGINE GASKET SET 1300 WITHOUT HEAD GASKET AND OIL	On request

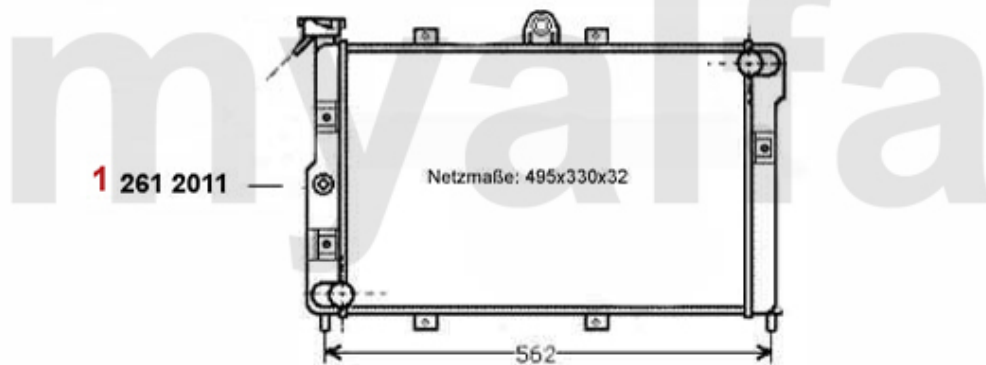
Kühler/Radiator Giulietta (116) 1.3



- 1 2612011** *Motorkühler Alfetta 1.6 Bj. 75-84 Giulietta 1.3/1.6 Bj. 10.77>*
ACHTUNG: auf Netzmaße acht

On request

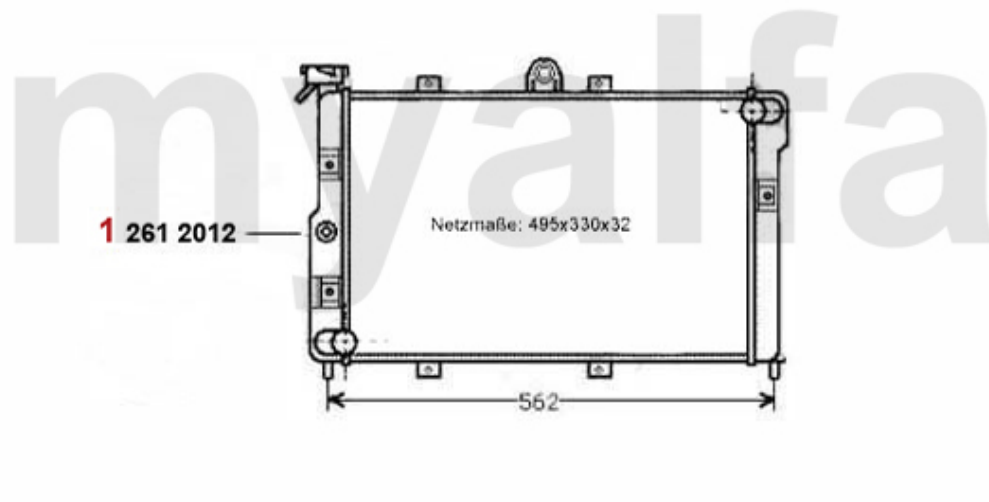
Kühler/Radiator Giulietta (116) 1.6



- 1 2612011 Motorkühler Alfetta 1.6 Bj. 75-84 Giulietta 1.3/1.6 Bj. 10.77>
ACHTUNG: auf Netzmaße acht

On request

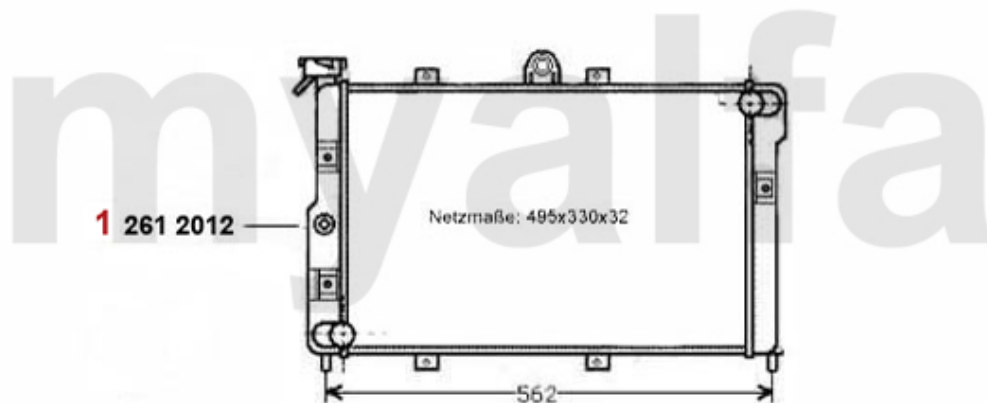
Kühler/Radiator Giulietta (116) 1.8



1 2612012 *Motorkühler Alfetta/Giulietta 1.8/ 2.0 Bj. 78-85 ACHTUNG: auf Netzmaße achten!!!*

On request

Kühler/Radiator Giulietta (116) 2.0



1 2612012 *Motorkühler Alfetta/Giulietta 1.8/ 2.0 Bj. 78-85 ACHTUNG: auf Netzmaße achten!!!*

On request

Thermostat Giulietta (116) 1.3

1 263 0090



1 2630090 OE. 60516212 / 60713535 THERMOSTAT 2000 IN HOUSING
CARBURETTOR MODELS

DKK296.60

Thermostat Giulietta (116) 1.6

1 263 0090



1 2630090 *OE. 60516212 / 60713535 THERMOSTAT 2000 IN HOUSING
CARBURETTOR MODELS*

DKK296.60

Termostat Giulietta (116) 1.8

1 263 0090



1 2630090 *OE. 60516212 / 60713535 THERMOSTAT 2000 IN HOUSING
CARBURETTOR MODELS*

DKK296.60

Thermostat Giulietta (116) 1.8 Turbo

1 263 0090



1 2630090 OE. 60516212 / 60713535 THERMOSTAT 2000 IN HOUSING
CARBURETTOR MODELS

DKK296.60

Termostat Giulietta (116) 2.0

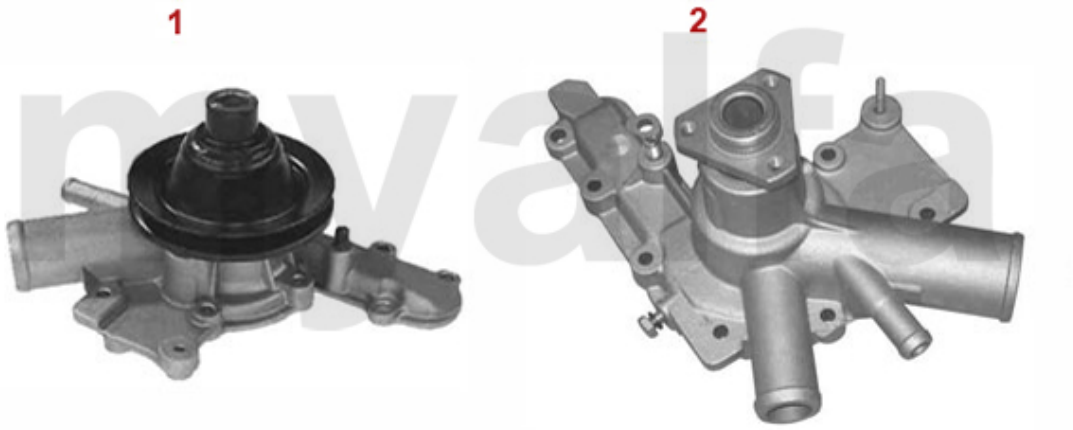
1 263 0090



1 2630090 OE. 60516212 / 60713535 THERMOSTAT 2000 IN HOUSING
CARBURETTOR MODELS

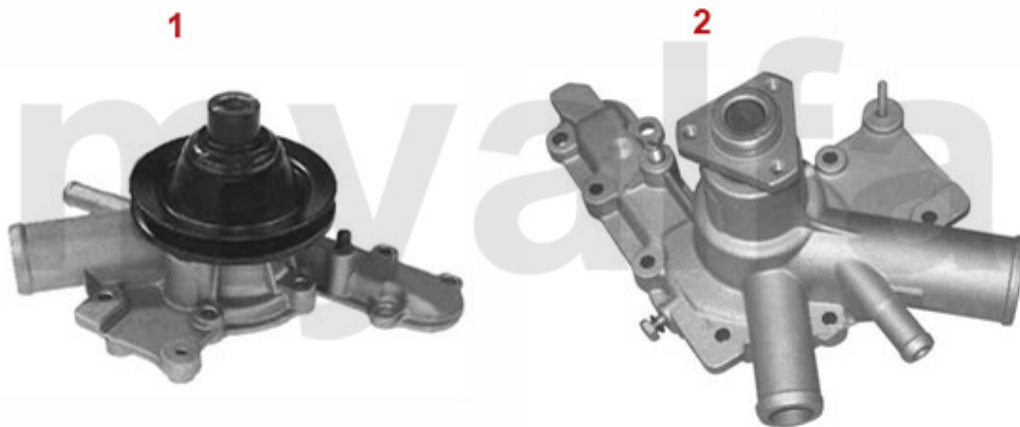
DKK296.60

Wasserpumpe/Waterpump Giulietta (116) 1.6



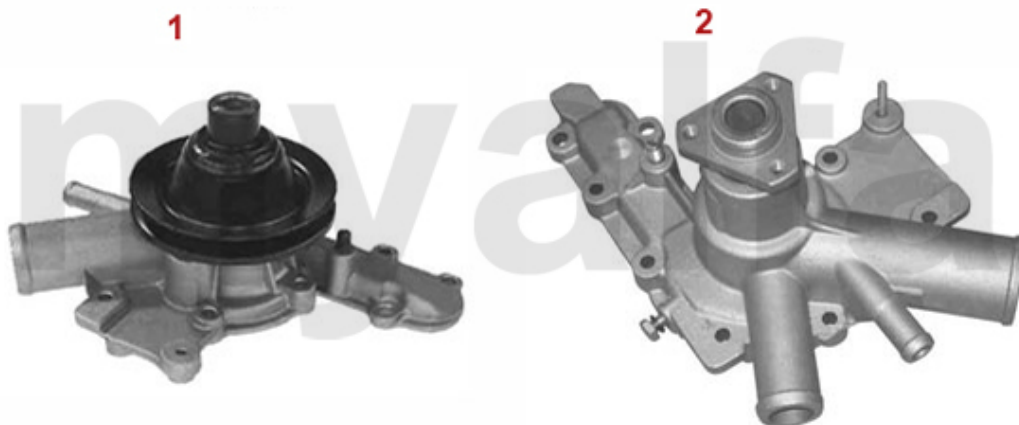
1	262510	OE. 60730469/60523035 WATERPUMP 75, ALFETTA, GIULIETTA, GTV (116), WITH PULLEY, WITHOUT REV METER CONNECTION	DKK618.26
2	2620430	WATER PUMP 2000 IE ELECTRIC FAN	DKK899.96

Wasserpumpe/Waterpump Giulietta (116) 1.3



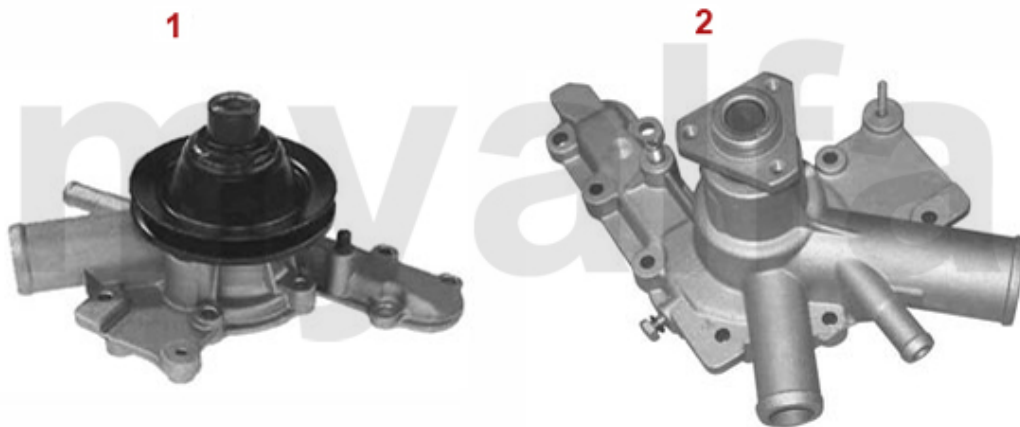
1	262510	OE. 60730469/60523035 WATERPUMP 75, ALFETTA, GIULIETTA, GTV (116), WITH PULLEY, WITHOUT REV METER CONNECTION	DKK618.26
2	2620430	WATER PUMP 2000 IE ELECTRIC FAN	DKK899.96

Wasserpumpe/Waterpump Giulietta (116) 1.8



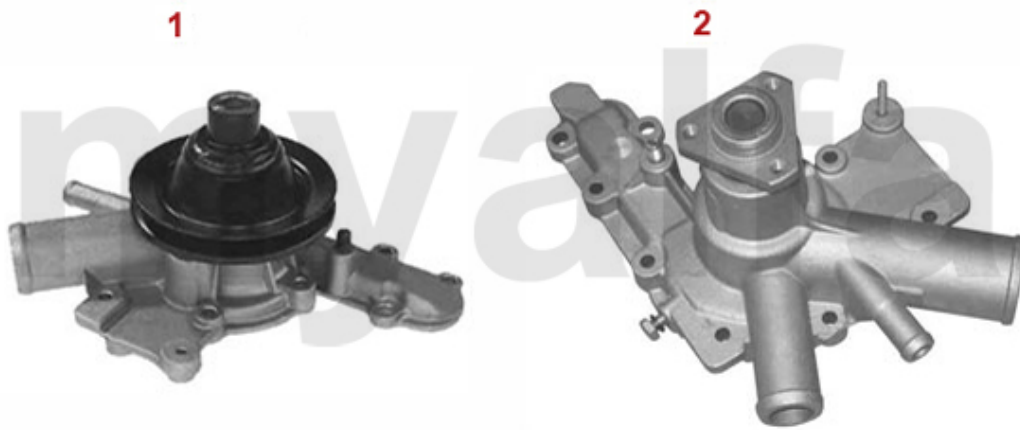
1	262510	OE. 60730469/60523035 WATERPUMP 75, ALFETTA, GIULIETTA, GTV (116), WITH PULLEY, WITHOUT REV METER CONNECTION	DKK618.26
2	2620430	WATER PUMP 2000 IE ELECTRIC FAN	DKK899.96

Wasserpumpe/Waterpump Giulietta (116) 1.8 Turbo



1	262510	OE. 60730469/60523035 WATERPUMP 75, ALFETTA, GIULIETTA, GTV (116), WITH PULLEY, WITHOUT REV METER CONNECTION	DKK618.26
2	2620430	WATER PUMP 2000 IE ELECTRIC FAN	DKK899.96

Wasserpumpe/Waterpump Giulietta (116) 2.0

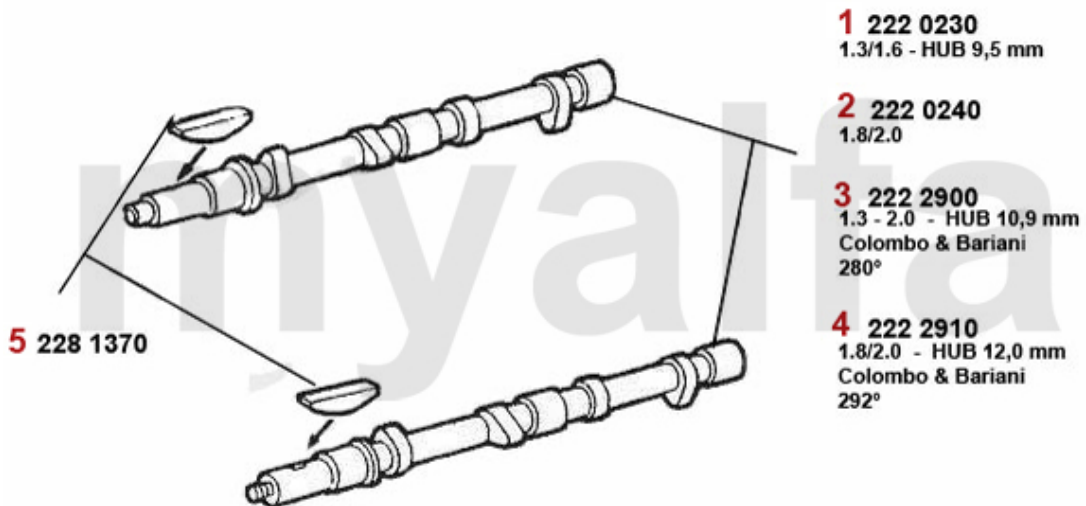


1	262510	OE. 60730469/60523035 WATERPUMP 75, ALFETTA, GIULIETTA, GTV (116), WITH PULLEY, WITHOUT REV METER CONNECTION	DKK618.26
2	2620430	WATER PUMP 2000 IE ELECTRIC FAN	DKK899.96

5	2680060	RADIATOR CAP SQUARE TYPE MODELS WITH EXPANSION TANK	DKK97.78
2	2660170	RADIATOR HOSE THERMOSTAT/ WATER PUMP CARBURETTOR MODELS	DKK116.59
1	26630560	OE. 60730560 UPPER RADIATOR HOSE ALFETTA/GIULIETTA 116 FROM 1982 ON	DKK226.20
3	26630558	LOWER COOLING WATER HOSE ALFETTA 2nd SERIES 1.6 1982> /GIULIETTA 1st SERIES >3.79	DKK172.93
4	26630559	OE. 60730559 LOWER RADIATOR HOSE ALFETTA/GIULIETTA 116 1982>	DKK186.25

1	28080721	OE. 60723675 ENGINE MOUNT LEFT 116 4-CYL.	DKK460.13
2	28075461	OE. 60521085 ENGINE MOUNT RIGHT 116 4-CYL.	DKK460.13
3	4122385	OE. 60522199 ENGINE MOUNT REAR 4 CYL.	DKK254.32

Nockenwelle/Camshaft Giulietta



1 222 0230
1.3/1.6 - HUB 9,5 mm

2 222 0240
1.8/2.0

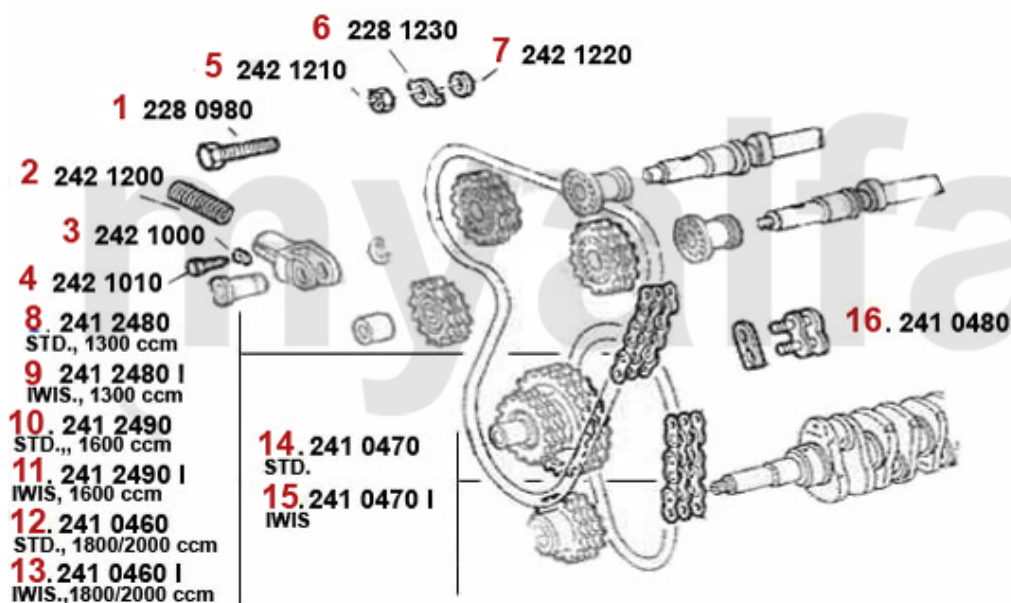
3 222 2900
1.3 - 2.0 - HUB 10,9 mm
Colombo & Bariani
280°

4 222 2910
1.8/2.0 - HUB 12,0 mm
Colombo & Bariani
292°

5 228 1370

5 2281370	WEDGE CAMSHAFT	DKK54.01
3 2222900	CAMSHAFT 1300-2000 SPORT COLOMBO&BARIANI LIFT 10.9 mm 280°	DKK2,152.03
4 2222910	CAMSHAFT 1750/2000 SPORT COLOMBO&BARIANI LIFT 12.0 mm 292°	DKK2,152.03

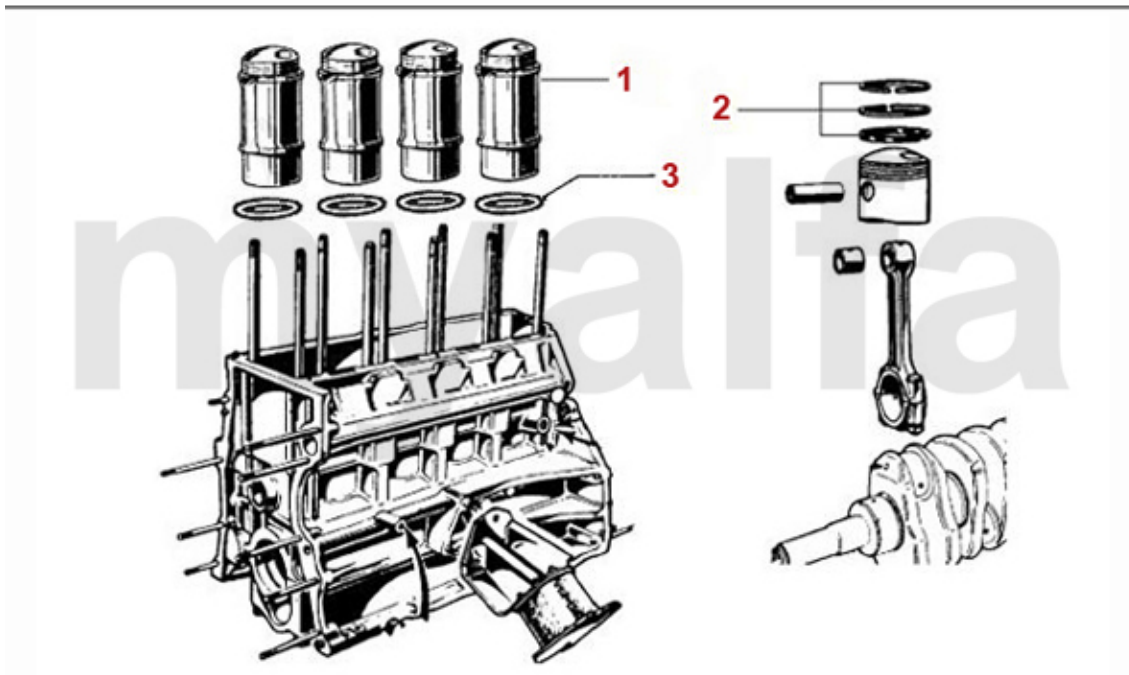
Steuerkette/Timing Chain Giulietta



1	2280980	SAFETY SCREW CAMSHAFT	DKK27.38
2	2421200	CHAIN TENSIONER SPRING	DKK57.92
3	2421000	CHAIN TENSIONER LOCKING BLOCK	DKK43.02
4	2421010	CHAIN TENSIONER SCREW	DKK54.01
5	2421210	NUT TIMING CHAIN SPROCKET	DKK17.23
6	2281230	TAB WASHER CAMSHAFT	DKK19.56
7	2421220	WASHER TIMING CHAIN SPROCKET	On request
8	2412480	TOP TIMING CHAIN 1300 WITH LINK	DKK333.39
9	2412480I	TIMING CHAIN IWIS 1300 LONG WITH LINK - 101, 105, 115, 116	DKK586.13
10	2412490	TOP TIMING CHAIN 1600 WITH LINK	DKK333.39
11	2412490I	TIMING CHAIN IWIS 1600 LONG WITH LINK	DKK625.24
12	2410460	TOP TIMING CHAIN 1750-2000 WITH LINK	DKK333.39
13	2410460I	TIMING CHAIN IWIS 1750-2000 WITH LINK	DKK696.48
14	2410470	BOTTOM TIMING CHAIN 1300-2000 WITHOUT LINK	DKK215.21
15	2410470I	TIMING CHAIN IWIS 1300-2000 SHORT ENDLESS	DKK371.76
16	2410480	TIMING CHAIN LINK	DKK58.67

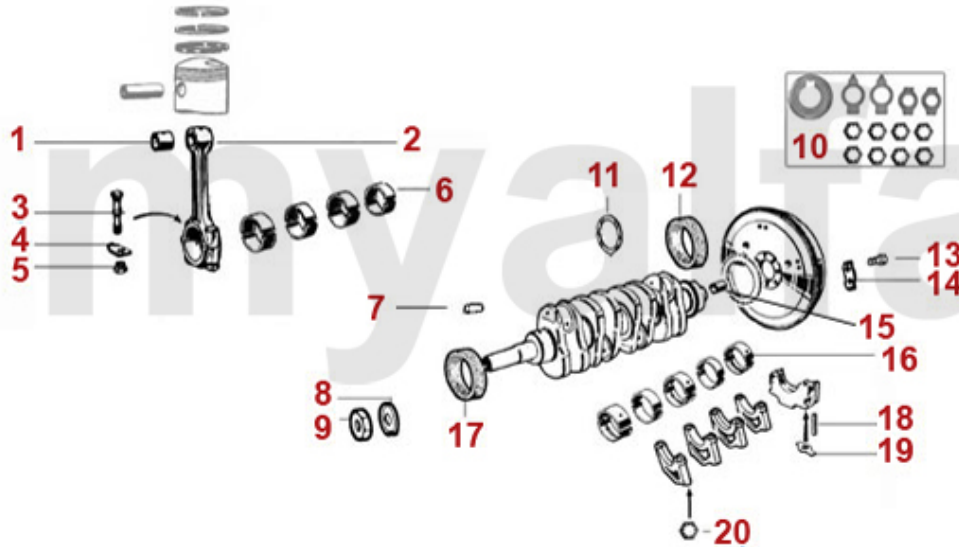
1	2240680	CAM FOLLOWER OE-QUALITY 101/105/115/116/75/155/164	DKK136.99
1	2240710	CAM FOLLOWER DLC RACING MADE IN ITALY 101/105/115/116/75/164	DKK309.08
2	2431140	SET VALVE SHIMS 200 PIECES 2,525 - 3,5 mm, DIAMETER 9mm	DKK4,374.55
2	2430840	SET VALVE SHIMS 205 PIECES 1,5 - 2,5 mm, DIAMETER 9mm	DKK4,374.55
2	2430430	VALVE SHIM 9MM PLEASE SUBMIT THE SIZE YOU NEED	DKK97.04
3	2232960	VALVE COTTER 9MM	DKK14.90
4	2232740	SET VALVE SPRINGS 16 PIECES	DKK665.19
5	2232950	SHIM VALVE CUP / SPRING	DKK27.75
6	2232920	VALVE SPRING CUP	On request
7	2230250	INTAKE VALVE 1300 37 mm	DKK129.91
8	2230260	INTAKE VALVE 1600-1750 41 mm	DKK124.42
9	2230270	INTAKE VALVE 2000 CARBURETTOR 44 mm	DKK132.24
10	2330670	VALVE SEAL reinforced inlet/black	On request
11	2231640	VALVE GUIDE SPIDER 1990-93 INJECTION	DKK108.77
12	2230280	EXHAUST VALVE 1300 34 mm	DKK130.65
13	2230300	EXHAUST VALVE 1600-1750 37 mm	DKK130.65
14	2230320	EXHAUST VALVE 2000 40 mm	DKK164.37

Kolben/Pistons Giulietta (116)



1	2212215	PISTON / LINER 2000 CARBURETTOR	DKK1,134.73
1	2212235	PISTON / LINER 2000 HIGH COMPRESSION 10,4 : 1	DKK1,244.24
1	2212195	PISTON / LINER 1600	DKK1,087.79
1	2212205	PISTON / LINER 1750	DKK1,087.79
1	2212245	PISTON / LINER 2000 MOTRONIC	DKK1,322.56
1	2212464	OE. 60778505 ASSEMBLY	On request
2	2282715	SET PISTON RINGS 1600 1.5/1.75/3.5mm (FOR 1 PISTON)	On request
2	2280915	SET PISTON RINGS 1600 1.5/1.75/4.0mm (FOR 1 PISTON)	DKK277.05
2	2282235	SET PISTON RINGS 1750 1.5/1.75/3.5mm (FOR 1 PISTON)	DKK304.43
2	2282245	SET PISTON RINGS 1750 1.5/1.75/4.0mm (FOR 1 PISTON)	DKK305.17
2	2282935	SET PISTON RINGS 2000 1.5/1.75/4.0mm (FOR 1 PISTON)	DKK305.17
2	2280925	SET PISTON RINGS 2000 1.5/1.75/4.5mm (FOR 1 PISTON)	DKK286.45
2	22847840	OE. 60721009 PISTON RINGS SET V6, 156, 164, 166, gtv/spider (916), 75 1.8 Turbo (FOR 1 PIS	DKK539.94
3	2330880	O-RING LINER 1600/1750	DKK27.38
3	2330900	O-RING LINER 2000	DKK19.18

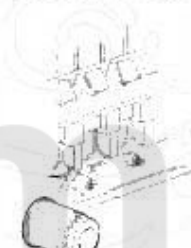


Lager/Bearings Giulietta (116)



1	2260160	SMALL END BEARING 1300	DKK176.10
1	2261120	SMALL END BEARING 1600 - 2000	DKK160.45
2	2130120	CON ROD 1300 USED (PLEASE SUBMIT THE WEIGHT YOU NEED)	On request
2	2130130	CON ROD 1600 USED (PLEASE SUBMIT THE WEIGHT YOU NEED)	On request
2	2130140	CON ROD 1750 USED (PLEASE SUBMIT THE WEIGHT YOU NEED)	On request
2	2130150	CON ROD 2000 NEW	DKK1,009.48
3	2261050	CON ROD BOLT SET (2PC) 1750-2000 ALSO POSSIBLE FOR 1600	DKK155.71
4	2261380	TAB WASHER CON ROD NUT 1300	DKK9.41
4	2261390	TAB WASHER CON ROD NUT (SET 2 PCS) 1600-1750	DKK20.30
5	2261080	CON ROD NUT 1600-2000	DKK38.37
6	2260200	BIG END BEARINGS (Set) 1600-2000 1. OVERSIZE 0,10	DKK485.18
6	2260220	BIG END BEARINGS (Set) 1600-2000 2. OVERSIZE 0,20	DKK485.18
6	2260780	BIG END BEARINGS (Set) 1600-2000 3. OVERSIZE 0.30	DKK485.18
6	2260180	BIG END BEARINGS (Set) 1600-2000 STANDARD	DKK485.18
6	2260190	BIG END BEARINGS (Set) 1300 1. OVERSIZE 0,10	DKK676.93
6	2260210	BIG END BEARINGS (Set) 1300 2. OVERSIZE 0,20	DKK676.93
6	2260770	BIG END BEARINGS (Set) 1300 3. OVERSIZE 0.30	DKK676.93
6	2260170	BIG END BEARINGS (Set) 1300 STANDARD	DKK676.93
6	2260150	CON ROD BEARINGS SET KING XP RACING 1600-2000, STD	DKK915.61
7	2280950	ALUMINIUM PLUG CRANKSHAFT (SET 6 PCS) 6 mm DIAMETER	DKK93.87
7	2280960	ALUMINIUM PLUG CRANKSHAFT (SET 6 PCS) 6,25 mm	DKK93.87
8	2280970	TAB WASHER CRANK PULLEY NUT	DKK40.70
9	2280940	CRANK PULLEY NUT 1963-89	DKK152.63
10	2282730	TAB WASHER SET 13 PIECES MAIN BEARING / CAMSHAFT / PULLEY	DKK168.28
11	2240810	SET THRUST WASHERS - 101/105/115/116/75/155/164 - STANDARD	DKK168.28
11	2240820	THRUST WASHER SET - 101/105/115/116/75/155/164 - 0.005	DKK223.03
11	2240830	THRUST WASHER SET - 101/105/115/116/75/155/164 - 0.010	DKK215.21
12	2330230	OIL SEAL CRANK SHAFT REAR 82/105/12 750/101/105/115/116 UP TO 1989, OEM QUALITY	DKK257.49

13	4211550	SCREW FLYWHEEL 6 HOLE	DKK38.74
13	4211560	SCREW FLYWHEEL 8 HOLE	DKK46.19
14	4211500	TAB WASHER SCREW FLYWHEEL (SET 4 PCS) 8 HOLE	DKK77.48
15	2251110	CRANK SPIGOT BUSH 24 mm	DKK85.30
15	2251100	CRANK SPIGOT BUSH 20 mm / 1750 ccm	DKK85.30
16	2250100	MAIN BEARINGS (Set) 1300-2000 - 1. OVERSIZE 0,10	DKK586.13
16	2250110	MAIN BEARINGS (Set) 1300-2000 2. OVERSIZE 0,20	DKK586.13
16	2250750	MAIN BEARINGS 1300-2000 3. OVERSIZE 0.30	DKK586.13
16	2250090	MAIN BEARINGS (Set) 1300-2000 STANDARD	DKK586.13
16	2250150	MAIN BEARING SET KING XP RACING 1300-2000 STD -101/105/115/116/75/155/164	DKK1,604.26
17	2330220	OIL SEAL CRANK SHAFT FRONT 35/50/10	DKK74.31
18	2331550	MAIN BEARING 'CIGARETTE' OIL SEAL	DKK30.92
19	2251490	TAB WASHER 5th MAIN BEARING	DKK11.73
20	2282700	MAIN BEARING LOCKNUT	DKK14.90

Filter Giulietta

Oelfilter/Oilfilter	Luftfilter/Airfilter
 <p>1. 291 123 >04.1981</p> <p>2. 291 125 05.1981></p>	 <p>3. 292 116 1.3/1.6 >04.1981</p> <p>4. 292 98 1.8/2.0/Turbo >04.1981</p> <p>5. 292 151 1.3/1.6/1.8/2.0 05.1981></p>
Kraftstofffilter/Fuelfilter	
 <p>6. 2930070 Fispa Einsatz/insert</p> <p>7. 293 13 universal</p> <p>8. 2930140 Einspritzer/ injection</p>	

1	291123	OE. 60553431, 60537470, 60533494, 60521128 OILFILTER	DKK85.68
2	291125	OE. 60507080/60808974 OILFILTER	DKK93.13
3	292116	OE. 60723852 AIR FILTER ALFETTA, GIULIETTA, GTV/4 (116) 1.3/1.6 eckig	DKK468.79
4	29298	AIR FILTER ALFETTA, GIULIETTA, GTV4 (116) 1.8/2.0, SEVERAL 105 TYPES	DKK183.92
5	292151	OE. 60522418 AIR FILTER 75. 90. ALFETTA, GIULIETTA, GTV/4 (116), 2.0	DKK191.74
6	2930070	FUEL FILTER FISPA 35 mm	DKK58.67
7	29313	FUEL LINE FILTER (UNIVERSAL)	DKK61.84
8	2930140	FUEL FILTER SPIDER 2000 IE 1986-93	DKK207.39

Abgasanlage/Exhaustsystem Giulietta 2.0 TD

⊙ 4 x2

⊙ 5 x1

⊙ 4 x2

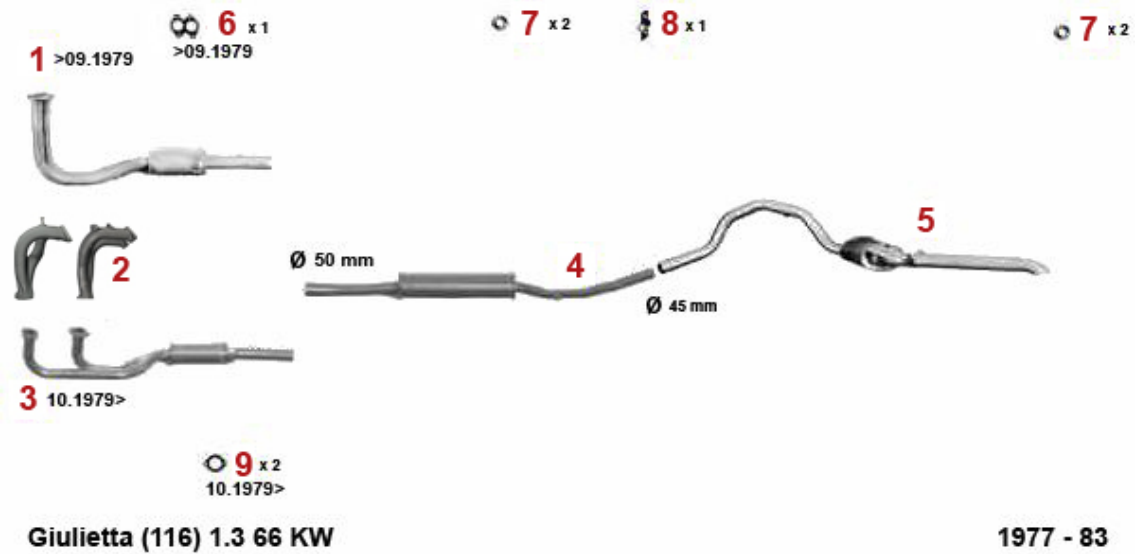


Giulietta (116) 2.0 Turbo Diesel 61 KW

1983 - 85

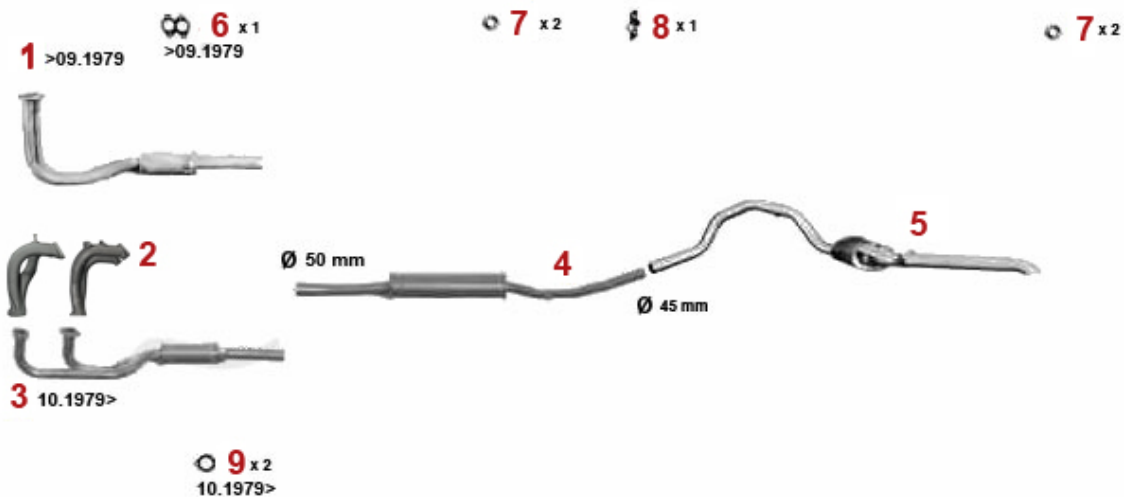
4	38091011	OE. 60521386 RUBBER RING	DKK17.97
5	38091024	OE. 60521407 EXHAUST RUBBER MOUNT	DKK36.78
1	33104201	DOWNPIPE ALFETTA,GIULIETTA 1983-85 2.0,2.4 TD (ORIGINAL 1PIECE WITH MIDDLE SILENCER)	On request
2	34104176	MIDDLE SILENCER ALFETTA, GIULIETTA 2.0.2.4 TD 1979-85	On request
3	35102077	REAR SILENCER 2.0 TD 1983-85	DKK1,533.86

Abgasanlage/Exhaustsystem Giulietta 1.3



1	33201403	PRESILENCER GIULIETTA 1.3 1977-79 (ORIGINAL ONE PIECE WITH MIDDLESILENCER)	DKK829.56
1	31121536	OE. 60521536 EXHAUST MANIFOLD 116 4-CYLINDER 1+4	On request
2	31121084	OE. 60521084 EXHAUST MANIFOLD 116 4-CYLINDER 2+3	On request
3	33201703	OE. 60526049 FRONT MUFFLER	DKK1,197.31
4	34101476	OE. 60730551 MIDDLE SILENCER	DKK892.14
5	35101407	OE. 60729292 REAR SILENCER	DKK1,400.79
6	3800470	GASKET ONE PIECE EXHAUST / FRONT EXHAUST SECTION	DKK78.23
7	38091011	OE. 60521386 RUBBER RING	DKK17.97
8	38091024	OE. 60521407 EXHAUST RUBBER MOUNT	DKK36.78
9	38094413	OE. 60777697 GASKET	DKK54.01

Abgasanlage/Exhaustsystem Giulietta 1.6

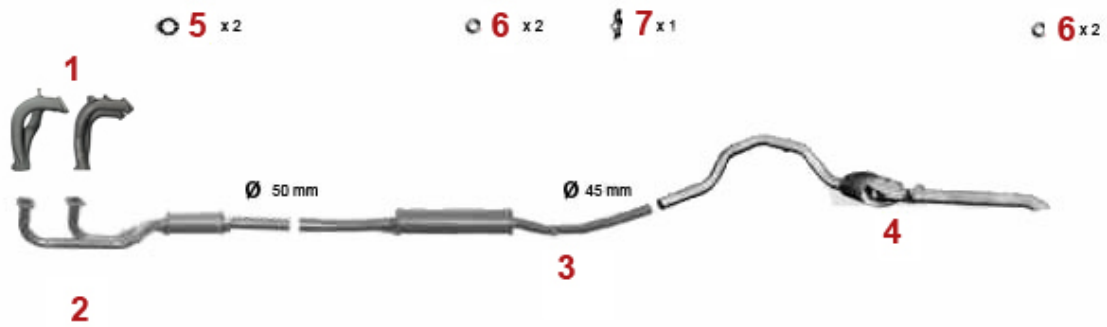


Giulietta (116) 1.6 79 KW

1977 - 83

1	33201403	PRESILENCER GIULIETTA 1.3 1977-79 (ORIGINAL ONE PIECE WITH MIDDLESILENCER)	DKK829.56
2	31121084	OE. 60521084 EXHAUST MANIFOLD 116 4-CYLINDER 2+3	On request
2	31121536	OE. 60521536 EXHAUST MANIFOLD 116 4-CYLINDER 1+4	On request
3	33201703	OE. 60526049 FRONT MUFFLER	DKK1,197.31
4	34101476	OE. 60730551 MIDDLE SILENCER	DKK892.14
5	35101407	OE. 60729292 REAR SILENCER	DKK1,400.79
6	3800470	GASKET ONE PIECE EXHAUST / FRONT EXHAUST SECTION	DKK78.23
7	38091011	OE. 60521386 RUBBER RING	DKK17.97
8	38091024	OE. 60521407 EXHAUST RUBBER MOUNT	DKK36.78
9	38094413	OE. 60777697 GASKET	DKK54.01

Abgasanlage/Exhaustsystem Giulietta 1.8

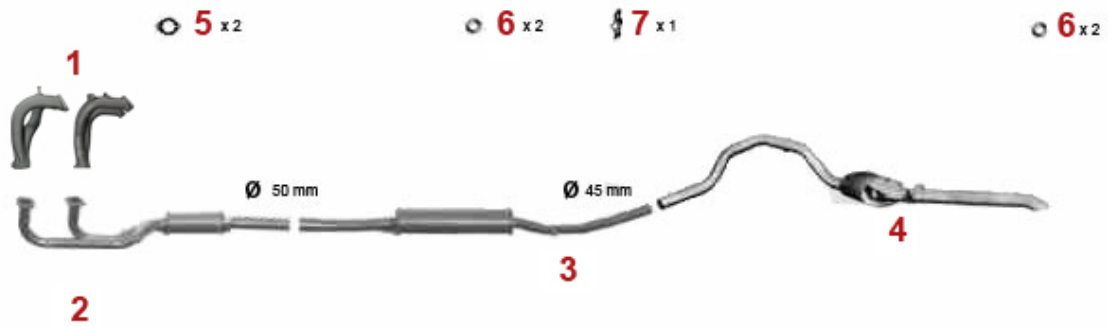


Giulietta (116) 1.8

1979 - 85

1	31121084	OE. 60521084 EXHAUST MANIFOLD 116 4-CYLINDER 2+3	On request
1	31121536	OE. 60521536 EXHAUST MANIFOLD 116 4-CYLINDER 1+4	On request
2	33201803	OE. 60730546 FRONT MUFFLER	DKK1,272.46
3	34101476	OE. 60730551 MIDDLE SILENCER	DKK892.14
4	35101407	OE. 60729292 REAR SILENCER	DKK1,400.79
5	38094413	OE. 60777697 GASKET	DKK54.01
6	38091011	OE. 60521386 RUBBER RING	DKK17.97
7	38091024	OE. 60521407 EXHAUST RUBBER MOUNT	DKK36.78

Abgasanlage/Exhaustsystem Giulietta 2.0

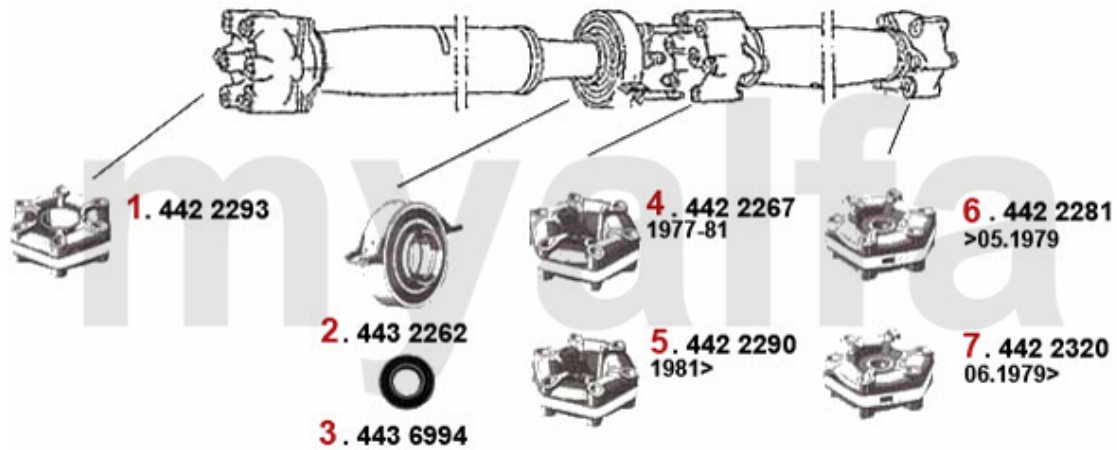


Giulietta (116) 2.0

1979 - 85

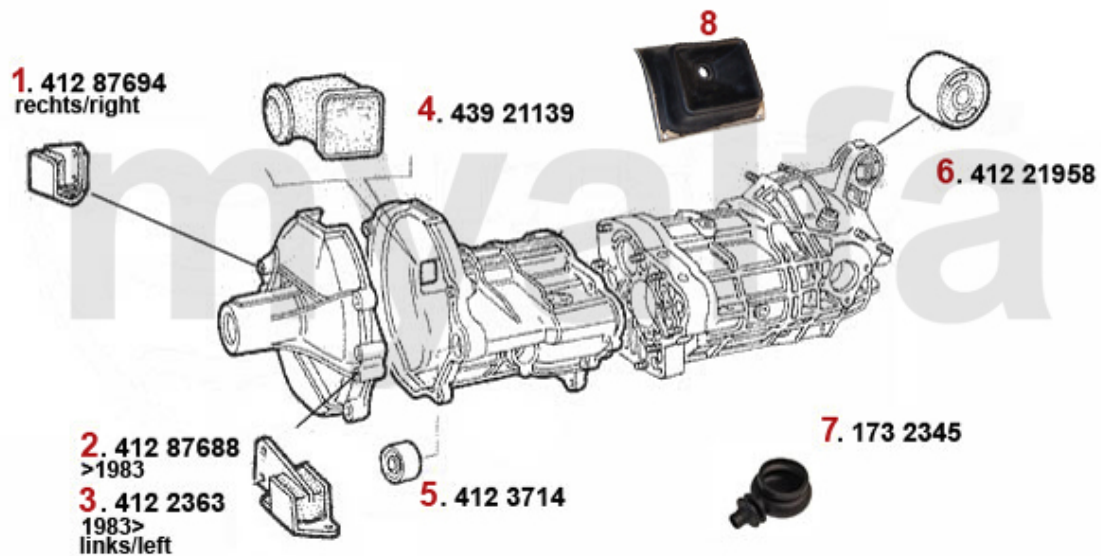
1	31121084	OE. 60521084 EXHAUST MANIFOLD 116 4-CYLINDER 2+3	On request
1	31121536	OE. 60521536 EXHAUST MANIFOLD 116 4-CYLINDER 1+4	On request
2	33201803	OE. 60730546 FRONT MUFFLER	DKK1,272.46
3	34101476	OE. 60730551 MIDDLE SILENCER	DKK892.14
4	35101407	OE. 60729292 REAR SILENCER	DKK1,400.79
5	38094413	OE. 60777697 GASKET	DKK54.01
6	38091011	OE. 60521386 RUBBER RING	DKK17.97
7	38091024	OE. 60521407 EXHAUST RUBBER MOUNT	DKK36.78

Antriebswelle/Driveshaft Giulietta (116)



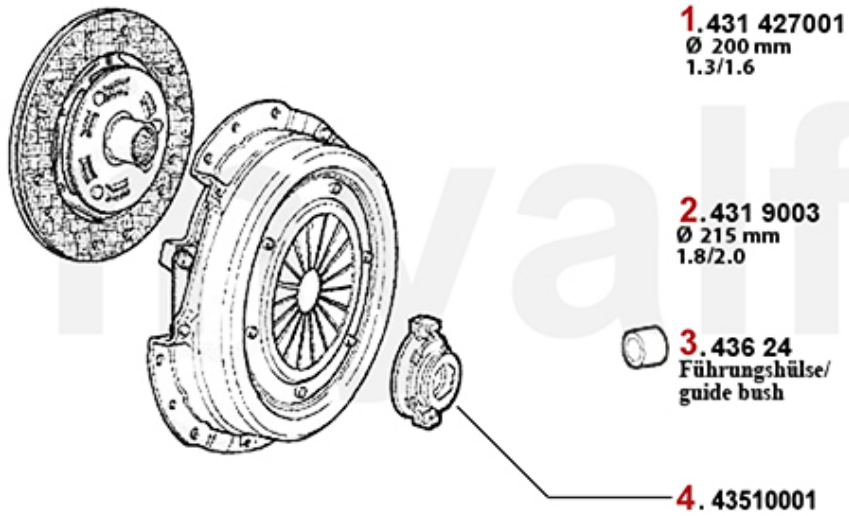
1	4422293	FRONT FLEX DISC 116 4-CYLINDERS OE.60521648	DKK665.19
2	4432262	OE. 60505302 PROP SHAFT CENTER SUPPORT 116 4-CYL.	DKK380.32
3	4436994	OE. 60505303 CENTER SHAFT BEARING ALFETTA, GTV (116), GIULIETTA,75 4 CYLINDER	DKK194.82
4	4422267	OE.116001530202/60521647 FLEX DISK	On request
5	4422290	MIDDLE FLEX DISC ALFETTA, GIULIETTA 11.1976 > , 75,90	DKK923.43
6	4422281	REAR FLEX DISC Alfetta 77>5/7960725177/116081504402	On request
7	4422320	OE.60521631 REAR FLEX DISC 116 4-CYLINDER	DKK680.84

Getriebeaufhängung/Gear Mount Giulietta (116)



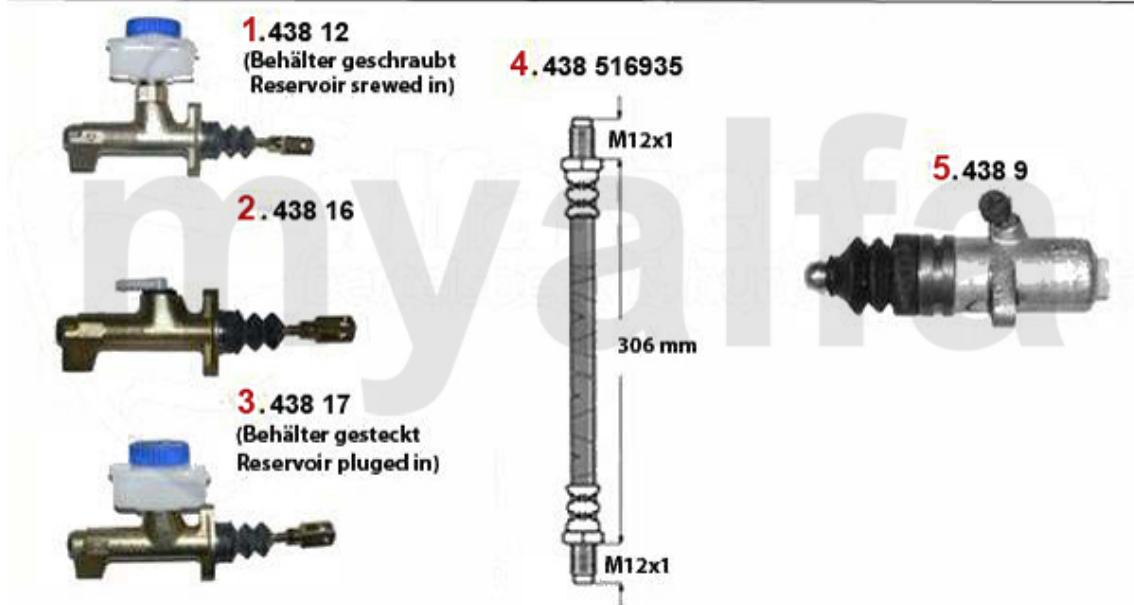
1	41287694	OE. 60521143 GEAR MOUNT 116 4-CYLINDER RIGHT	DKK273.14
2	41287688	OE. 60723913 GEAR MOUNT 116, 4-CYL LEFT SIDE, >1983	DKK273.14
3	4122363	OE. 60701586 GEAR MOUNT 116 4-CYLINDER LEFT	DKK273.14
4	43921139	OE. 60521139 GROMMET FOR RELEASE LEVER	DKK108.77
5	4123714	OE. 60523039 GEAR SHIFT BUSH AT TRANSMISSION	DKK215.21
6	41221958	OE. 60521958 TRANSMISSION MOUNT 75, 90, RZ SZ, ALFETTA, GIULIETTA, GTV (116)	DKK234.02
7	1732345	OE. 60724284 LOWER COWLING GEAR LEVER ALFETTA, GIULIETTA,	DKK140.06
8	1732346	OE. 60701783 COVER f. GEARSTICK 116	DKK892.14

Kupplungs-Kit/Clutch Set Giulietta (116)



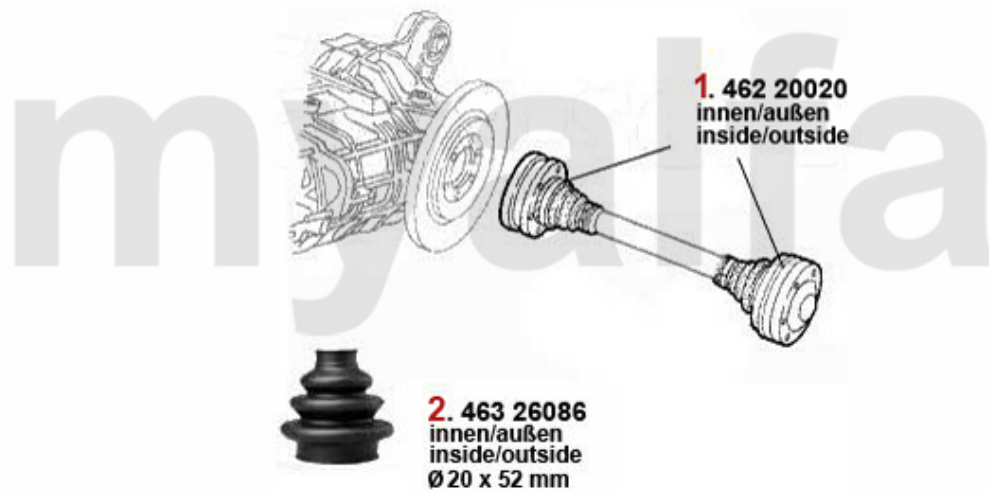
1	43142701	CLUTCH KIT 116 1.3 - 1.6	DKK2,965.94
3	43624	OE. 60522024 NEEDLE BEARING	DKK351.36
2	4319003	CLUTCH KIT, ALFETTA, GIULIETTA, 75, GTV (116), 1.6/1.8/2.0/IE/TS/TD 1974-1992	DKK2,731.17
4	43510001	RELEASE BEARING ALFETTA/ GIULIETTA, 75, 90, GTV 2.0 116	DKK539.94

Kupplungsbetätigung/Clutch Actuation Giulietta (116)



1	43812	OE. 60730497 CLUTCH CYLINDER WITH SCREWED RESERVOIR (116)	DKK781.04
2	43816	OE. 60518194 CLUTCH MASTER CYLINDER 116 1983>	DKK665.19
3	43817	OE. 60723874 CLUTCH CYLINDER WITH PLUG IN RESERVOIR (116)	DKK762.97
4	43816935	CLUTCH HOSE 116	DKK154.96
4	4380090	STEEL FLEX CLUTCH HOSE	DKK359.18
5	4389	OE. 60547341 CLUTCH SLEEVE CYLINDER	DKK508.65

Seitenwelle/Side Shaft Giulietta 1.3/1.6/1.8/2.0



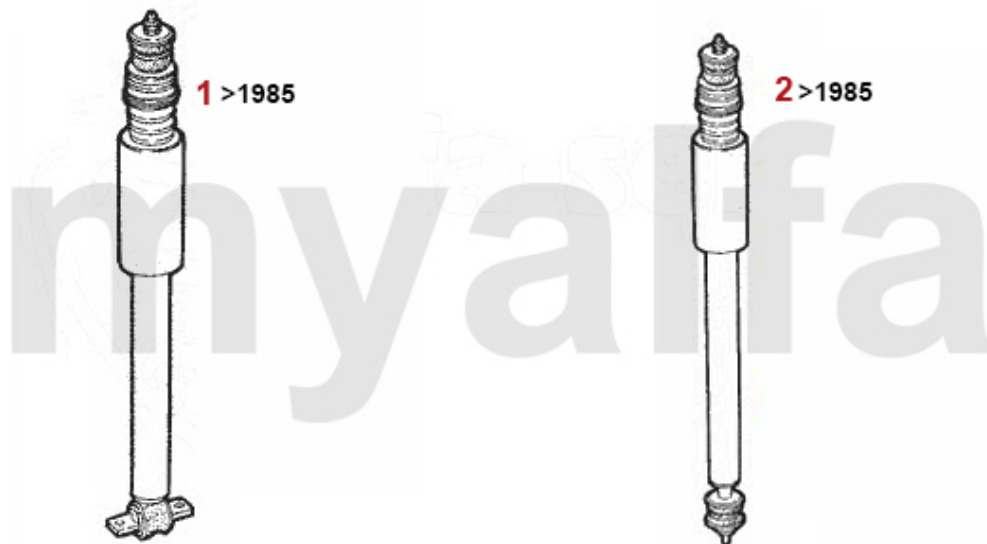
1 46220020 INNER/OUTER DRIVESHAFT JOINT 116 4-CYLINDER

DKK1,087.70

2 46326086 OE. 60729242 SIDE SHAFT BOOT SET inside/outside 116-4Cyl.

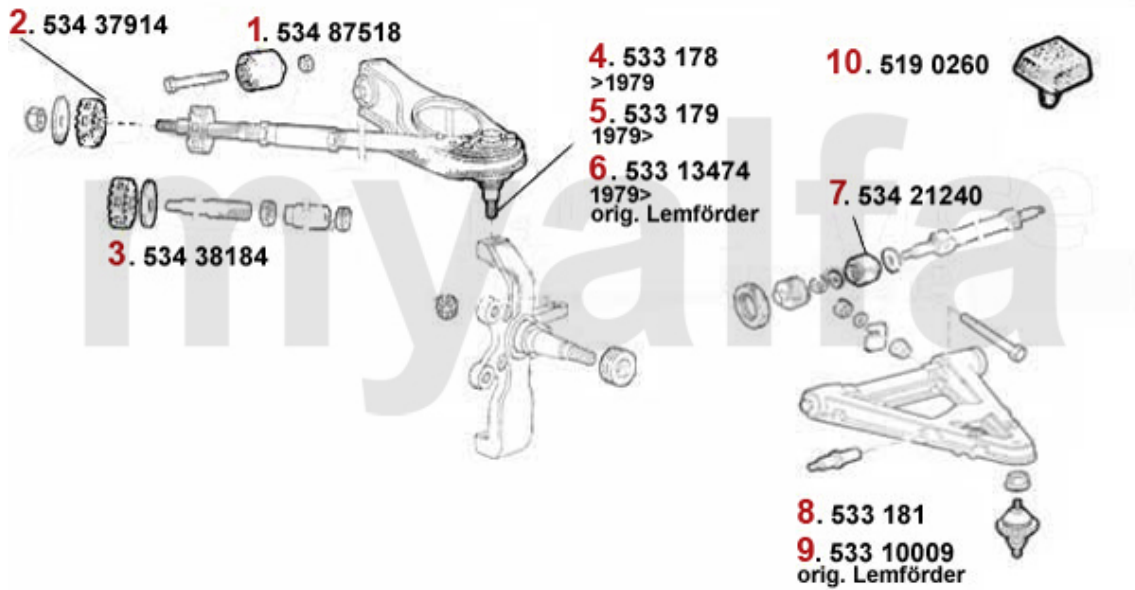
DKK232.81

1	51921363	REAR SPRING UPPER RUBBER OE. 60521363	DKK119.76
2	51821362	METAL SEAT REAR SPRING LOWER / UPPER Alfetta / GT/V 4/6 / 75	DKK69.66
3	5164120	REAR SPORT SPRINGS 30 MM LOWER 75, GTV (116)	DKK1,642.63
4	51921364	REAR SPRING LOWER RUBBER OE. 60701036	DKK148.72



1	51112189	OE. 60730502 FRONT SHOCK ABSORBER	DKK853.03
1	5122241	FRONT KONI YELLOW 116 UNTIL 1985	DKK1,009.48
1	51260465	SHOCK ABSORBER BILSTEIN B6 FRONT ALFETTA,GTV6 (116)	DKK1,549.51
2	51112191	OE. 60730537 REAR SHOCK ABSORBER	DKK853.03
2	5122242	REAR KONI YELLOW 116 UNTIL 1985	DKK1,001.65
2	51260475	SHOCK ABSORBER BILSTEIN B6 REAR TILL 1985	DKK1,549.51

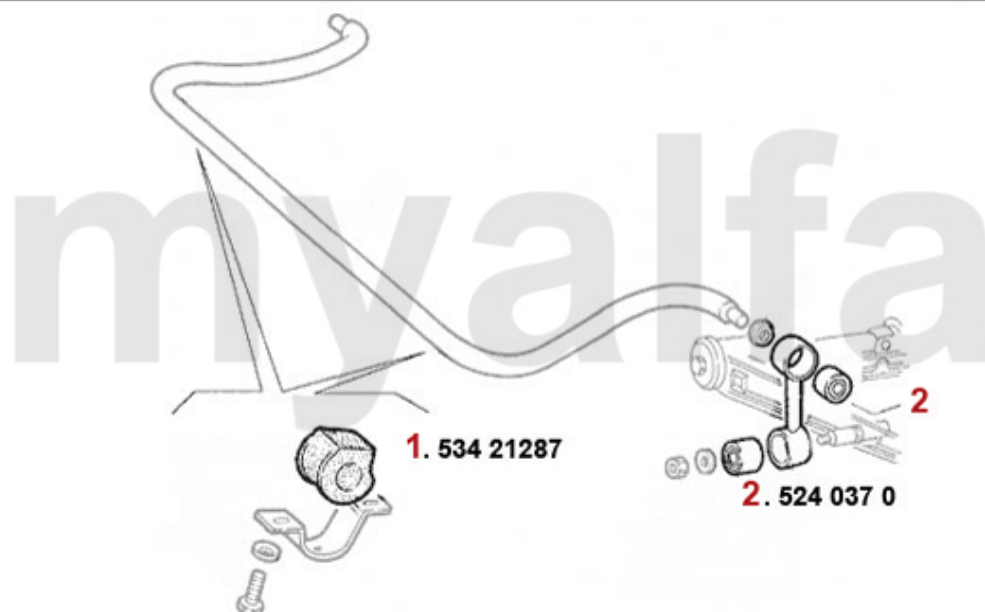
Aufhängung/Attachment Giulietta (116) vorne/front



1	53487518	OE. 60521269 FRONT WISHBONE BUSH 75,GTV6 (116) RZ/SZ	DKK93.13
2	53437914	OE. 60521263 RUBBER 75, GTV6 (116)	DKK35.20
3	53438184	OE. 60521264 RUBBER 75, GTV6	DKK35.20
4	533178	OE.60521243 UPPER BALL JOINT 116	DKK305.17
5	533179	OE. 60728728 UPPER BALL JOINT 116	DKK305.17
6	53313474	OE. 60728429 Front upper ball joint LMI	On request
7	53421240	OE. 60521240 LOWER ARM BUSH 116 FA	DKK325.94
8	533181	OE. 60521236 LOWER BALL JOINT 116	DKK335.72
9	53310009	OE. 60521236/7 LOWER BALL JOINT LEMFÖRDER	On request
10	5190260	UPPER BUMP STOP 1969-93	DKK69.66

1	5341970	SET SUPERFLEX BUSHES 116 REAR AXLE TORSION BAR	DKK931.25
1	53487492	OE. 60521328 REAR AXLE MOUNT 75, Alfetta, Giulietta, GTV6, RZ/SZ	DKK75.15
2	53421327	OE. 60521327 BUSH	DKK136.99
3	53488248	OE. 60700773 FRONT BUSHING DEDION TRANSAXLE, 4-CYLINDER (NOT TWIN SPARK)	On request
3	5340100	FRONT DEDION BUSH 45mm, 4-CYLINDER (NOT TWIN SPARK), STRENGTHENED, SUPERFLEX	DKK449.98
4	53433966	OE. 60533966 RING f. PANHARD/GEAR 116	On request
5	54122226	OE. 60522226 MOUNT FOR REAR AXLE FRAME RIGHT SIDE, GTV6, 75	DKK688.66
6	54122225	OE. 60522225 MOUNT FOR REAR AXLE FRAME LEFT SIDE, GTV6, 75	DKK688.66
7	51421323	OE.60521323 TORSION BAR 116	On request

Stabilisator vorne/Stabilizer front Giulietta (116)



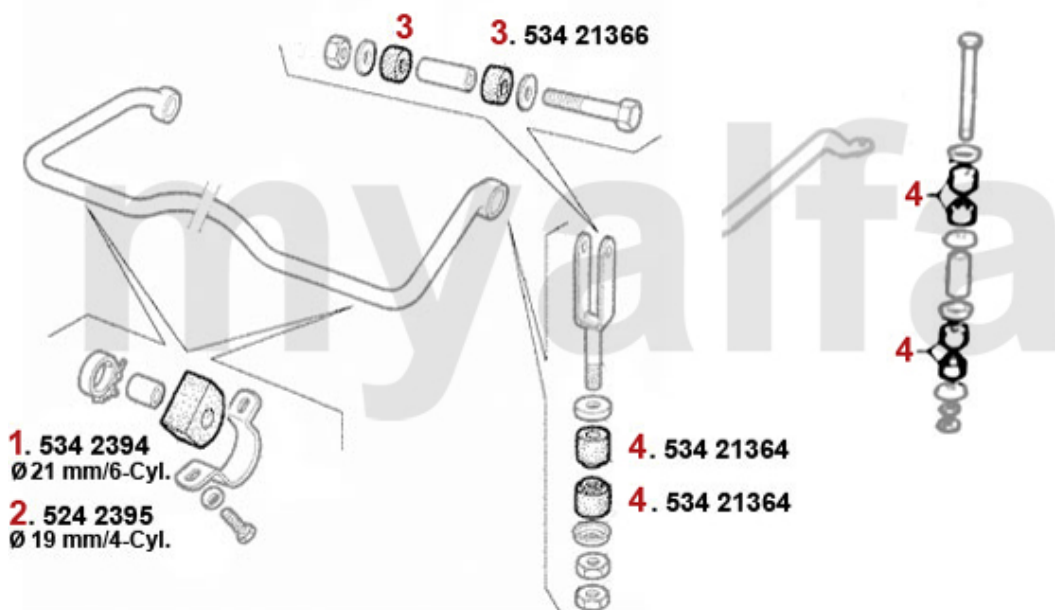
**1 53421287 ANTI ROLL BAR RUBBER FRONT SET (2) 22MM ALFETTA,
GIULIETTA,GTV6, 75**

DKK124.42

2 5240370 FRONT UPPER ANTI ROLL BAR DROP LINK BUSH 30 mm

DKK77.48

Stabilisator hinten/Stabilizer rear Giulietta (116)



1	5342394	SET ANTI-ROLL BAR RUBBER REAR ALFETTA,GIULIETTA, 75 (21mm)	DKK230.86
2	5242395	SET ANTI-ROLL BAR RUBBER REAR 75 1.6-1.8 ie (19mm) SUPERFLEX	DKK207.39
3	53421366	OE. 60521366 STABILIZER BUSH 75 ,90, ALFETTA, GTV6 (116), GIULIETTA	DKK47.77
4	53421364	OE. 60521364 TIE ROD BUSH ALFETTA, GIULIETTA, GTV6 (116), 75	DKK30.55

Radlager/Wheel Bearing Giulietta (116)

vorne/front:



1. 544 613
>02.1980

2. 544 614
03.1980>

5

hinten/rear:



3. 544 1733 2
rechts/right

4. 544 1733 1
links/left

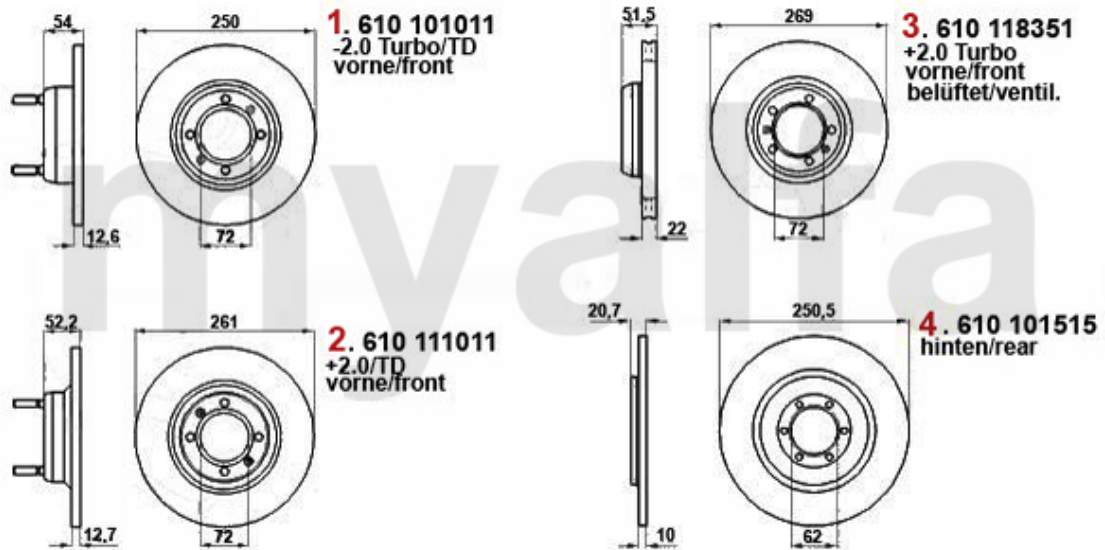
2	544614	FRONT WHEEL BEARING SET 116 FROM 1980 ON	DKK410.87
1	544613	FRONT WHEEL BEARING SET ALFETTA/GT (116) 1.6 1977-2.80, 1.8/2.0/TD >2.80, GIULIETTA 1.3/1.6	DKK449.98
3	54417332	WHEEL BEARING SET REAR RIGHT 116 1981-85	DKK696.48
4	54417331	WHEEL BEARING SET REAR LEFT 116 ->(till) 1985	DKK696.48
5	5191160	OE. 60501960/60751855 GREASE CAP	DKK70.40

Lenkung/Steering Giulietta (116)



1	5541300	AXIAL BALL JOINT ALFETTA, GIULIETTA, GTV (116),75,90 - FOR SPICA, RIGHT HAND THREAD	DKK320.07
2	55413ZF	AXIAL KNUCKLE GTV6 FOR ZF STEERING VERION M12/M14	DKK383.49
3	554180	OE. 60521320 TIE ROD END ALFETTA, GTV6, GIULIETTA, 75, 90, RZ, SZ	DKK223.03
4	5552269	STERRING SLEEVE SPICA (116) LEFT	DKK234.02
5	5552270	STEERING SLEEVE SPICA 116 RIGHT	DKK195.66
6	55522911	OE. 60548920 STEERING BOOT SPICA 116 WITHOUT POWER STEERING, 29/37 mm	DKK163.53
7	5552291	OE. 9943860 STEERING BOOT ZF 116 WITH POWER STEERING	DKK176.84
8	55511600	STEERING BOOT SET UNIVERSAL	DKK254.32

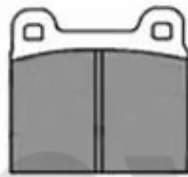
Bremsscheiben/Brakedisks Giulietta (116)



1	61001011	OE.60526087 FRONT BRAKE DISC GIULIETTA 1.3/ 1.6/ 1.8/TURBO,75	DKK618.26
		1.6/1.8/2.0/TD	
3	61018351	OE. 60522092 FRONT BRAKE DISC 75 VENTIL.	DKK698.44
4	61001515	OE. 60701786 REAR BRAKE DISK 116	DKK547.02
2	61011011	OE. 60533706 FRONT BRAKE DISK	DKK743.42

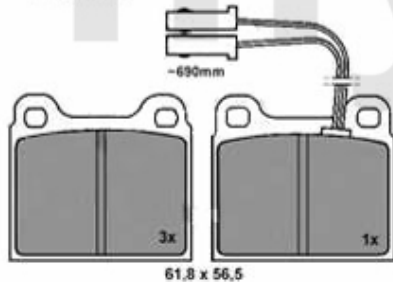
Bremsbeläge/Brakepads Giulietta (116)

1. 630 0040
vorne/front
> 08.1982



61,8 x 56,6

2. 20911
vorne/front
09.1982 >



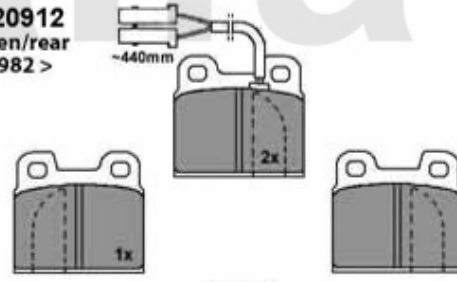
61,8 x 56,5

3. 20641
hinten/rear
> 08.1982



55,8 x 53

4. 20912
hinten/rear
09.1982 >



55,8 x 53

1	6300040	BRAKE PADS 1300/1600 1966-85 FRONT	DKK191.74
2	20911150	OE. 60778257 FRONT BRAKE PADS	DKK743.42
4	20912150	OE. 60740845 REAR BRAKE PADS	DKK602.61
3	20615004	OE.60727290 REAR BRAKE PADS ALFETTA, GIULIETTA, GTV (116) SYSTEM ATE	DKK390.47

Bremsbelag Zubehör/Brakepadattachment Giulietta (116)

1. 650 902



2. 650 968



- | | | |
|----------|---------------|---|
| 1 | 650902 | SBB-Zubehör für 1300400/20034 4x stift 2x kreuzfeder |
| 2 | 650968 | BRAKE MOUNTING KIT 116 REAR BRAKE |

DKK60.25

DKK155.71

Bremszangen/Calipers Giulietta (116)



1 661 0291
links/left
vorne/front
-2.0 Turbo

2 661 0292
rechts/right
vorne/front
-2.0 Turbo



7 677 0370
vorne/front
links+rechts/
left+right

3 661 11019
links/left
vorne/front
+2.0 Turbo

4 661 11020
rechts/right
vorne/front
+2.0 Turbo

5 661 11007
links/left
hinten/rear

6 661 11008
rechts/right
hinten/rear



8 662 381
hinten/rear
links oder rechts/
left or right

1	6610291	BRAKE CALIPER 1300-1600 1964-85 FRONT LEFT, SYSTEM ATE	DKK1,244.24
2	6610292	BRAKE CALIPER 1300-1600 1964-85 FRONT RIGHT, SYSTEM ATE	DKK1,244.24
3	66111019	BRAKE CALIPER OE. 60703991	DKK1,525.20
4	66111020	BRAKE CALIPER OE. 60734813	DKK1,525.20
5	66111007	OE. 60760085 BRAKE CALIPER REAR LEFT 116, SYSTEM: ATE	DKK1,713.78
6	66111008	OE. 60760086 BRAKE CALIPER REAR RIGHT 116, SYSTEM: ATE	DKK1,713.78
7	6770370	BRAKE CALIPER REBUILD KIT FRONT ATE	DKK176.84
8	662381	REPAIR KIT BRAKE CALIPER ATE ALFETTA, GIULIETTA, GTV6 (116), 75, 90	DKK363.93

BKV/Hauptbremszylinder/Brakeservo/Brake master cylinder Giuliaatta (116)

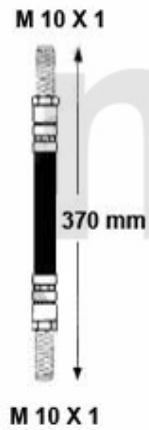


2	4380200	CAP BRAKE / CLUTCH RESERVIORE HANGING PEDALS	DKK93.13
4	6720280	BRAKE MASTER CYLINDER HANGING PEDALS 20,6MM	DKK985.26
3	6770580	BRAKE FLUID RESERVOIR HANGING PEDALS	On request
1	67118264	OE: 60518264 BRAKE BOOSTER BENDIX	DKK2,186.11
4	67245043	BRAKE MASTER CYLINDER ATE ORIG. HANGING PEDALS 20,6MM	DKK1,917.26

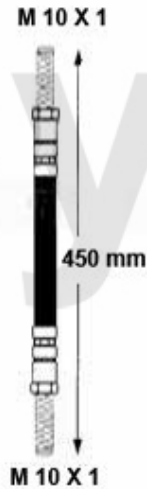
2	6740200	BRAKE PRESSURE REG. SYSTEM ATE	DKK1,839.03
1	674265	BRAKE VALVE 75,90,Giulietta,GT /V 2.0 (116)	DKK1,713.78
3	6740220	BRAKE PRESSURE REG. BONALDI GIULIA, SPIDER; GT BERTONE; ALFETTA GTV4 (116) UNTIL 1984	DKK1,055.67

Bremsschlauch/Brake Hose Giulietta (116)

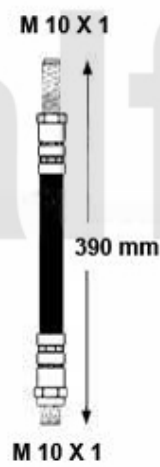
1. 676 516850
vorne/front
>04.1983



2. 676 510084
vorne/front
05.1983>



3. 676 516851
hinten/rear
>04.1983

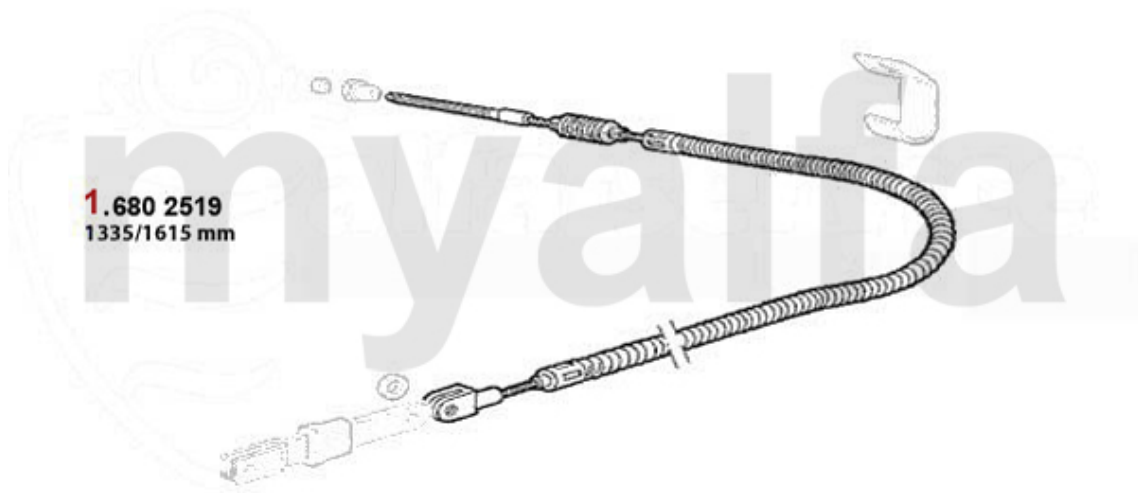


4. 676 516868
hinten/rear
05.1983>



2	67610084	OE. 71736935 BRAKE HOSE	DKK186.25
3	67616851	OE. 60728512 BRAKEHOSE REAR 116 > 1983	DKK207.39
1	67616850	OE. 60727319 BRAKEHOSE 116 4-CYL. >1983	DKK207.39
4	67616868	OE. 60522547 REAR BRAKE HOSE GTV6 FROM 1981, GTV (916) 1.8 TS	DKK176.84

Handbremsseil/Brake Cable Giulietta (116)



1 6802519 OE. 60521838 BRAKE CABLE 116 1980>

DKK372.50

Zündverteiler/Distributor Giulietta

1. 815 0280
System: Bosch



2. 816 0360
System: Bosch



3. 817 0320
System: Bosch



4. 815 0730
System: Bosch



5. 815 0030
System: Marelli
>1982



6. 816 0070
System: Marelli
>1982



7. 816 0810
System: Marelli
1982>



8. 817 0050
System: Marelli
>1982



9. 817 0800
System: Marelli
1982>



1	8150280	POINTS 1968-89 BOSCH	DKK73.57
2	8160360	ROTOR ARM BOSCH, DISTRIBUTOR WITH POINTS, PLUGGED VERSION	DKK85.30
3	8170320	DISTRIBUTOR CAP 1974-93 BOSCH, NO CUT OUT	DKK93.13
4	8150730	CONDENSER 1974-93 BOSCH DISTRIBUTOR, SQUARE FITTING PLUG	DKK66.49
5	8150030	POINTS MARELLI	DKK73.57
6	8160070	ROTOR ARM MARELLI DISTRIBUTOR, WITH POINTS	DKK93.13
7	8160810	ROTOR ARM MARELLI DISTRIBUTOR, NO POINTS	DKK83.72
8	8170050	DISTRIBUTOR CAP MARELLI, FOR IGNITION WITH POINTS	DKK187.00
9	8170800	DISTRIBUTOR CAP MARELLI, NO POINTS	DKK156.08

Zündungsteile/Ignition Parts Giulietta

1. 812 0200
Zündspule blau/
coil blue



2. 812 0420
Hochleistungszündspule/
high performance coil



3. 812 10
f. Transistorzündung/
f. transistorignition
1982>



4. 818 11202
Kabelsatz/
cable set



5. 2 HL
Golden Lodge



6. BP 6 ES
NGK-Standard



ZINCHHAFT GUT



7. BP 6 ET
NGK - 3Masseelektrode/
3earth electrode



1	8120200	IGNITION COIL CARBURETTOR STANDARD	DKK293.44
1	8120210	IGNITION COIL CARBURETTOR MODEL ORIGINAL MAGNETI MARELLI	DKK467.95
2	8120420	IGNITION COIL CARBURETTOR HEAVY DUTY WITH RESISTOR	DKK919.52
3	81210	ELECTRONIC IGNITION COIL 33, 75 , 90, ARNA, SUD/SPRINT, ALFETTA, GIULIETTA >1986 SYSTEM: MARELLI	On request
4	81811202	IGNITION WIRE SET ALFETTA/GTV (116)	DKK297.35
5	BA2HL	SPARK PLUG "myalfa" 2HL	DKK69.66
6	BP6ES	OE. 71736278 SPARK PLUG NGK	DKK38.37
7	BP6ET	SPARK PLUG NGK WITH 3 ELECTRODES 155 2.0 16V TURBO	DKK60.25

1	8220170	STARTER MOTOR 9 TEETH 1971-89	<i>On request</i>
2	82210680	STARTER ALFETTA,GIULIETTA GTV(116)	<i>DKK1,557.33</i>
3	82214960	STARTER MOTOR 9 TOOTH	<i>DKK1,479.01</i>
3	82214965	STARTER MOTOR, 9 TEETH, MADE IN GERMANY	<i>DKK2,183.32</i>
4	8210180	ALTERNATOR 65A EXTERNAL REGULATOR	<i>DKK1,713.78</i>
6	8230700	EXTERNAL REGULATOR ALTERNATOR 12V	<i>DKK254.32</i>
6	8230710	EXTERNAL REGULATOR ALTERNATOR 12V HELLA	<i>DKK309.08</i>



1 8111027 **IGNITION LOCK ALFETTA/GIULIETTA/SUD SPRINT 1983>, 33 (905)**

On request

1 8110680 **IGNITION SWITCH SPIDER 1979-93, 4 CABLES, ALFETTA, GIULIETTA
UNTIL 1983, GTV6 (116)**

DKK1,400.79

Car Cover Giulietta (116)

1. 911 108 0
blau/blue

2. 911 274 0
rot/red



1 9111080 CAR COVER ECOLINE GIULIA, RED

DKK461.71

2	9822250	BATTERY LIFE SAFER	DKK301.26
1	9822260	BATTERY CHARGER AB-4 ABSAAR	DKK371.76
3	8701130	BATTERY SWITCH / MASS POLE CLAMP	DKK61.84

