

# ***ALFA SPIDER (105/115)***

***All prices including tax, delivery costs are extra***

## Table Of Content

<b>BODY PARTS</b>	<b>8</b>
<b>PANELS</b>	<b>8</b>
1966-69	<b>8</b>
FRONT 1	<b>8</b>
FRONT 2	<b>9</b>
FRONT 2	<b>10</b>
FLOORPANELS	<b>11</b>
DOOR	<b>12</b>
REAR	<b>13</b>
1970-82	<b>14</b>
FRONT 1	<b>14</b>
FRONT 2	<b>15</b>
FRONT 3	<b>16</b>
ROCKER/FLOOR PANELS	<b>17</b>
DOOR	<b>18</b>
REAR 1	<b>19</b>
REAR 2	<b>20</b>
1983-89	<b>21</b>
FRONT 1	<b>21</b>
FRONT 2	<b>22</b>
FRONT 3	<b>23</b>
ROCKER PANELS/FLOOR PANELS	<b>24</b>
DOOR	<b>25</b>
REAR 1	<b>26</b>
REAR 2	<b>27</b>
REAR WING	<b>28</b>
1990-93	<b>29</b>
FRONT 1	<b>29</b>
FRONT 2	<b>30</b>
FRONT 3	<b>31</b>
FRONT 4	<b>32</b>
DOOR	<b>33</b>
ROCKER PANELS/FLOOR PANELS	<b>34</b>
REAR 1	<b>35</b>
REAR 2	<b>36</b>
<b>LIGHTS</b>	<b>37</b>
<b>HEAD LAMPS</b>	<b>37</b>
INDICATORS FRONT	<b>38</b>
SIDEINDICATORS	<b>39</b>
REAR LAMPS 66-69	<b>40</b>
REAR LAMPS 70-82	<b>41</b>
REAR LAMPS 83-93	<b>42</b>
LICENSE PLATE LIGHT	<b>43</b>
BULBS	<b>44</b>
<b>RUBBER SEALS</b>	<b>45</b>

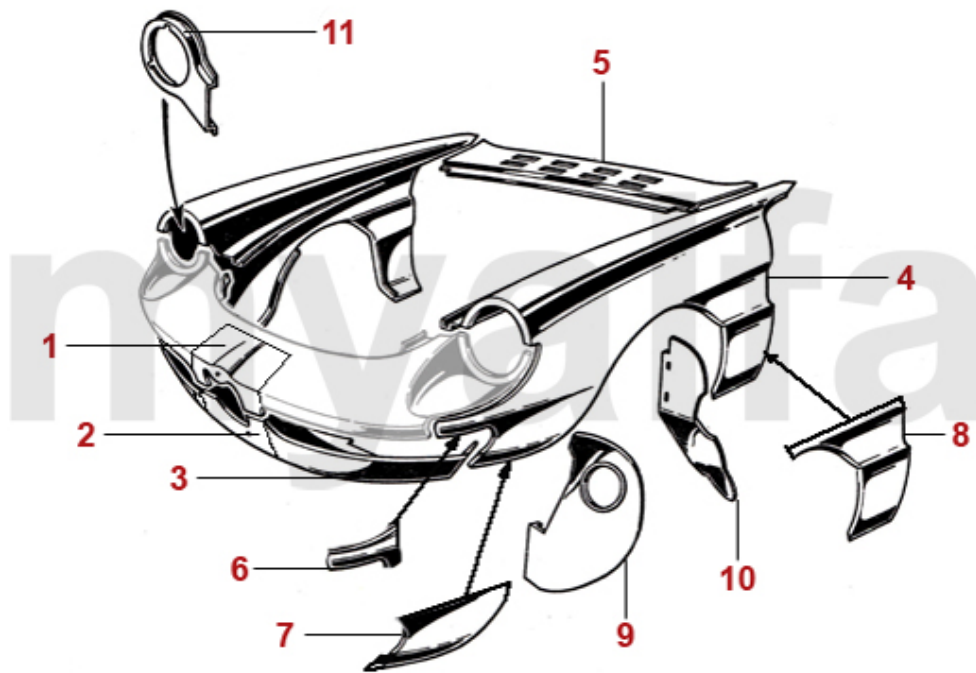
SCREENSEAL/DOORSEAL	45
DOOR	46
FIREWALL GROMMETS	47
TRUNK SEAL	48
CHROME PARTS	49
BUMBERS 66-69	49
BUMBERS 70-82	50
BUMPERS 83-89	51
BUMPERS 90-93	52
MIRROR	53
DOOR AREA	54
DOOR	55
HARDTOP SUPPORT	56
HOOD / TOP COVER	57
CONVERTIBLE TOP 1966-69	57
CONVERTIBLE TOP 1970-89	58
CONVERTIBLE TOP 1990-93	59
MOUNTING PARTS 1970-93	60
TOP COVER 1970-89	61
WIND DEFLECTOR	62
SCREENS	63
DOOR MECHANIC	64
EMBLEMS 1966-1972	65
EMBLEMS 1972-1993	66
RIM EMBLEMS	67
SCRIPTS 1966-1969	68
SCRIPTS 1970-1982	69
SCRIPTS 1990-1993	70
ADDITIONAL PARTS	71
TYPE PLATES 1	72
TYPE PLATES 2	73
<b>MOTOR</b>	74
CYLINDER HEAD	74
CYLINDER HEAD 1	74
CYLINDER HEAD 2	75
VALVE STEERING	76
VALVES	77
ENGINE BLOCK	78
ENGINE BLOCK/MOUNTS	78
PISTON/LINER	79
CON ROD/BEARING	80
CRANKSHAFT 1	81
CRANKSHAFT 2	82
OIL PAN	83
ENGINE GASKETS	84
GASKET SETS	84
ENGINE	85

CYLINDER HEAD	86
OILPAN	87
REINZ UNIVERSAL	88
<b>FILTER</b>	89
AIR FILTER	89
FUEL / OILFILTERS	90
<b>EXHAUST SYSTEM</b>	91
MANIFOLD/MUFFLER	91
EXHAUST	93
SPORT EXHAUST	94
<b>FUEL SYSTEM</b>	95
CARBURETTOR	95
CARBURETTOR MOUNTS 1966-89	95
CARBURETTOR MOUNTS 45mm	96
CARBURETTOR MOUNTS 1990-83	97
CARBURETTORS AND PARTS	98
GASKET SETS	99
AIR NOZZLE / MAIN JET	100
FUEL TANK	101
FUEL PUMP/ HOSES	102
ELECTRIC FUEL PUMP	103
SYNCHROMETER	104
INJECTION SYSTEM	105
FUEL TANK/PUMP	105
INJECTION	106
<b>COOLING SYSTEM</b>	107
THERMOSTAT	107
HOSES	108
CARBURETTOR	108
2000 INJECTION	109
RADIATOR	110
RADIATOR 1966-89	110
RADIATOR 1990-93	111
WATER PUMPS	112
<b>HEATER/VENTILATION</b>	113
HEATER 1st SERIES	113
HEATER 2nd SERIES	114
<b>DRIVE TRAIN</b>	115
CLUTCH	115
MECHANICAL	115
HYDRAULIC	116
TRANSMISSION	118
GEARBOX	118
SYNCHRO RINGS/BEARINGS	119
COUNTERSHAFT	120
MOUNTING	121
PROPSHAFT	122

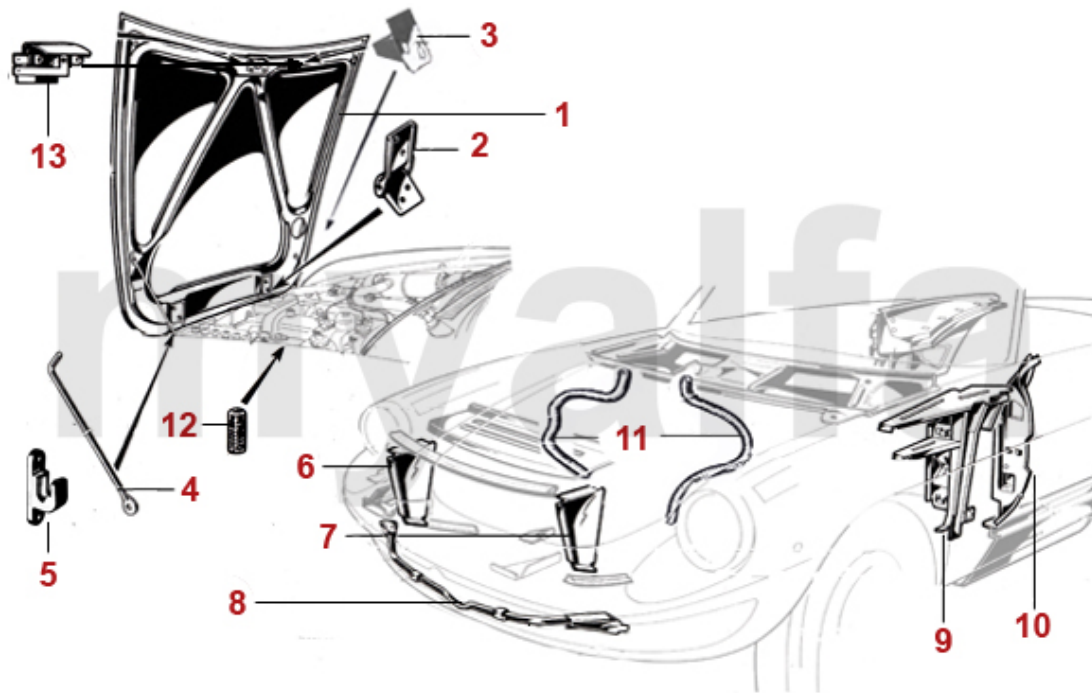
REAR AXLE	124
MOUNTING/LIMITED SLIP	124
WHEEL BEARING/DIFFERENTIAL	125
<b>BRAKES</b>	126
FRONT BRAKE	126
BRAKE DISCS/PADS	126
REAR BRAKE	127
BRAKE DISCS/PADS	127
BRAKE HYDRAULIC	128
BRAKE MASTERCYLINDER	128
BRAKE FLUID RESERVOIR	129
BRAKE BOOSTER	130
BRAKE LINES/HOSES	131
BRAKE CALIPERS	132
HAND BRAKE	134
<b>WHEEL SUSPENSION</b>	135
FRONT	135
SPRINGS/SHOCKS	135
HUB/BEARING	136
ARMS/BUSHINGS	137
ANTI ROLL BAR	138
REAR	139
SPRINGS/SHOCKS	139
TRAILING ARMS/T-BAR	140
WHEEL BEARINGS / STUDS	141
WHEEL NUTS	142
WHEEL SPACERS	143
WHEELS	144
HUB CAPS	145
<b>STEERING</b>	146
STEERING BOX	146
TRACK RODS/ENDS	147
<b>ELECTRIC</b>	148
DISTRIBUTORS	148
DISTRIBUTOR PARTS MARELLI	149
DISTRIBUTOR PARTS BOSCH	150
LIGHT/INDICATOR SWITCHES	151
LEADS/SPARK PLUGS	152
IGNITION SWITCHES	153
STARTER/GENERATOR	154
BATTERY ATTACHMENTS	155
SWITCHES/SENSORS	156
PUSH/TOGGLE SWITCHES 1966-86	157
PUSH SWITCHES 1986-93	158
INDICATOR LAMPS	159
WIRING HARNESS	160
MISCELLANEOUS	161

ACCESSOIRES	162
<b>WIPERS</b>	163
WATER BAG	163
WIPER	164
<b>CABLES</b>	166
OPENERS/CABLES	166
CABLES	167
<b>PEDALS</b>	168
PEDALS	168
<b>INTERIOR PARTS</b>	169
INSTRUMENT PANEL	169
SHIFT KNOBS	170
SAFETY BELTS	171
SUN VISOR/COVERS	172
STEERING WHEELS	173
LEATHER EXCLUSIVE	173
EXCLUSIVE WOODEN 1	174
EXCLUSIVE WOODEN 2	175
ORIGINAL	176
STEERING WHEEL NARDI	177
STEERING HUBS	178
CONSOLE	179
1966-69	179
1970-86	180
1987-93	181
SEATS	182
SEAT COVERS 1966-69	182
SEAT COVERS 1966-89	183
SEAT COVERS 1970-77	185
SEAT COVERS 1978-89	186
SEAT COVERS 1990-93	188
SEAT PAN/FOAM	189
DOOR CARDS	190
1966-77	190
1978-89	191
1990-93	192
FLOORING	193
RUBBER MATS 1966-69	193
RUBBER MATS 1970-79	194
CARPET SET PASSENGER COMPARTMENT	195
TRUNK MATS	196
FOOT MATS	197
DRIVE SHAFT COVER MATS	198
INSULATING MATS	199
<b>MISCELLANEOUS</b>	200
HOOD CARE	200
CAR COVER	201

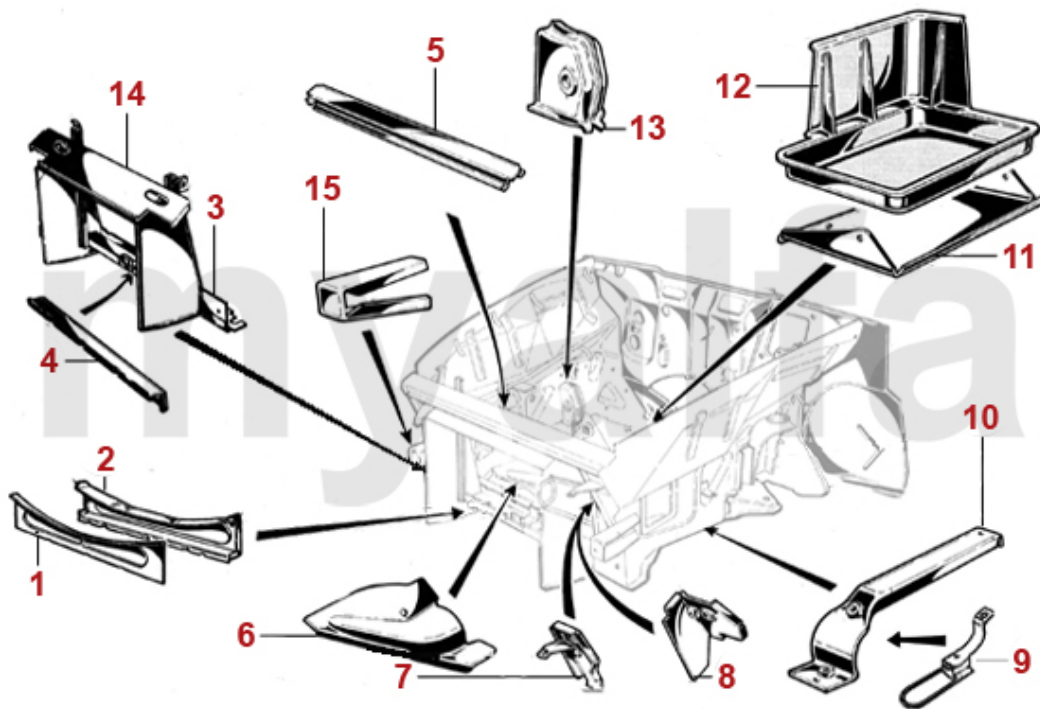
RUST PROTECTION	202
CARRIER	203
JACK	204
BATTERY CHARGERS	205
REPLACEMENT BULBS BOX	206
FENDER PROTECTOR	207



<b>1</b>	<b>1202780</b>	<b>UPPER NOSE REPAIR PANEL SPIDER 1966-69 (MAYBE ORDER ALSO 1110400)</b>	<b>DKK2,073.80</b>
<b>2</b>	<b>1202790</b>	<b>LOWER NOSE REPAIR PANEL SPIDER 1966-69</b>	<b>On request</b>
<b>3</b>	<b>1112970</b>	<b>LOWER FRONT PANEL SPIDER 1600 1966-67</b>	<b>DKK2,731.17</b>
<b>3</b>	<b>1112070</b>	<b>FRONT VALANCE SPIDER 1300+1750 1967-69</b>	<b>DKK2,887.62</b>
<b>4</b>	<b>1120381</b>	<b>FRONT WING SPIDER 1966-82 LEFT</b>	<b>DKK4,687.54</b>
<b>4</b>	<b>1120382</b>	<b>FRONT WING SPIDER 1966-82 RIGHT</b>	<b>DKK4,687.54</b>
<b>5</b>	<b>1190510</b>	<b>SCUTTLE PANEL SPIDER 1966-69 FRONT</b>	<b>On request</b>
<b>6</b>	<b>1202271</b>	<b>REPAIR PANEL FRONT WING SPIDER FRONT LEFT</b>	<b>DKK325.94</b>
<b>6</b>	<b>1202272</b>	<b>REPAIR PANEL FRONT WING SPIDER FRONT RIGHT</b>	<b>DKK325.94</b>
<b>7</b>	<b>1201341</b>	<b>REPAIR PANEL FRONT WING SPIDER FRONT LEFT</b>	<b>DKK410.87</b>
<b>7</b>	<b>1201342</b>	<b>REPAIR PANEL FRONT WING SPIDER FRONT RIGHT</b>	<b>DKK410.87</b>
<b>8</b>	<b>1201161</b>	<b>REPAIR PANEL FRONT WING SPIDER REAR LEFT</b>	<b>DKK586.13</b>
<b>8</b>	<b>1201162</b>	<b>REPAIR PANEL FRONT WING SPIDER REAR RIGHT</b>	<b>DKK586.13</b>
<b>9</b>	<b>1192891</b>	<b>SPLASH PANEL SPIDER 1966-89 ALUMINIUM FRONT LEFT</b>	<b>DKK547.02</b>
<b>9</b>	<b>1192892</b>	<b>SPLASH PANEL SPIDER 1966-89 ALUMINIUM FRONT RIGHT</b>	<b>DKK547.02</b>
<b>10</b>	<b>1192901</b>	<b>SPLASH PANEL SPIDER 1966-89 ALUMINIUM REAR LEFT</b>	<b>DKK430.05</b>
<b>10</b>	<b>1192902</b>	<b>SPLASH PANEL SPIDER 1966-89 ALUMINIUM REAR RIGHT</b>	<b>DKK430.05</b>
<b>11</b>	<b>1110391</b>	<b>HEADLIGHT SUPPORT PANEL SPIDER LEFT</b>	<b>DKK696.48</b>
<b>11</b>	<b>1110392</b>	<b>HEADLIGHT SUPPORT PANEL SPIDER RIGHT</b>	<b>DKK696.48</b>

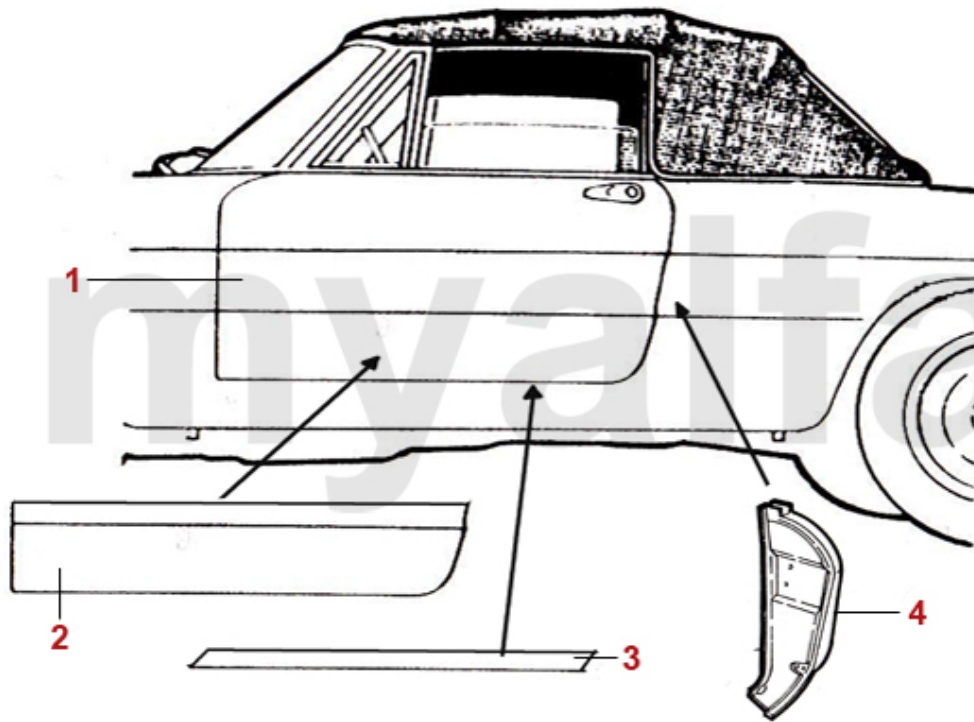


<b>1</b>	<b>1130490</b>	<b>BONNET SPIDER</b>	<b>DKK5,282.33</b>
<b>2</b>	<b>1130500</b>	<b>BONNET HINGE SPIDER</b>	<b>DKK426.51</b>
<b>3</b>	<b>1372410</b>	<b>BONNET HINGE SUPPORT SPIDER</b>	<b>DKK199.57</b>
<b>4</b>	<b>1192430</b>	<b>BONNET SUPPORT SPIDER</b>	<b>DKK352.11</b>
<b>5</b>	<b>1371900</b>	<b>BONNET STICK SUPPORT 105/115</b>	<b>DKK77.48</b>
<b>6</b>	<b>1190552</b>	<b>AIR DEFLECTOR PANEL SPIDER 1966-82 RIGHT</b>	<b>DKK281.70</b>
<b>7</b>	<b>1190551</b>	<b>AIR DEFLECTOR PANEL SPIDER 1966-82 LEFT</b>	<b>DKK281.70</b>
<b>8</b>	<b>1310490</b>	<b>BUMPER SUPPORT SPIDER 1966-69 FRONT</b>	<b>DKK2,652.85</b>
<b>9</b>	<b>1191111</b>	<b>A-PILLAR SPIDER LEFT</b>	<b>DKK3,122.48</b>
<b>9</b>	<b>1191112</b>	<b>A-PILLAR SPIDER RIGHT</b>	<b>DKK3,122.48</b>
<b>10</b>	<b>1191122</b>	<b>OUTER A-PILLAR SHUT PANEL SPIDER RIGHT</b>	<b>DKK1,776.45</b>
<b>10</b>	<b>1191121</b>	<b>OUTER A-PILLAR SHUT PANEL SPIDER LEFT</b>	<b>DKK1,776.45</b>
<b>11</b>	<b>1191500</b>	<b>SCUTTLE DRAIN HOSE GRAY</b>	<b>DKK155.71</b>
<b>12</b>	<b>1630560</b>	<b>BONNET STOP (SET) GT BERTONE / SPIDER</b>	<b>DKK93.13</b>
<b>13</b>	<b>1570140</b>	<b>LIGHT UNDER BONNET/TRUNK/ GLOVE BOX</b>	<b>DKK132.24</b>



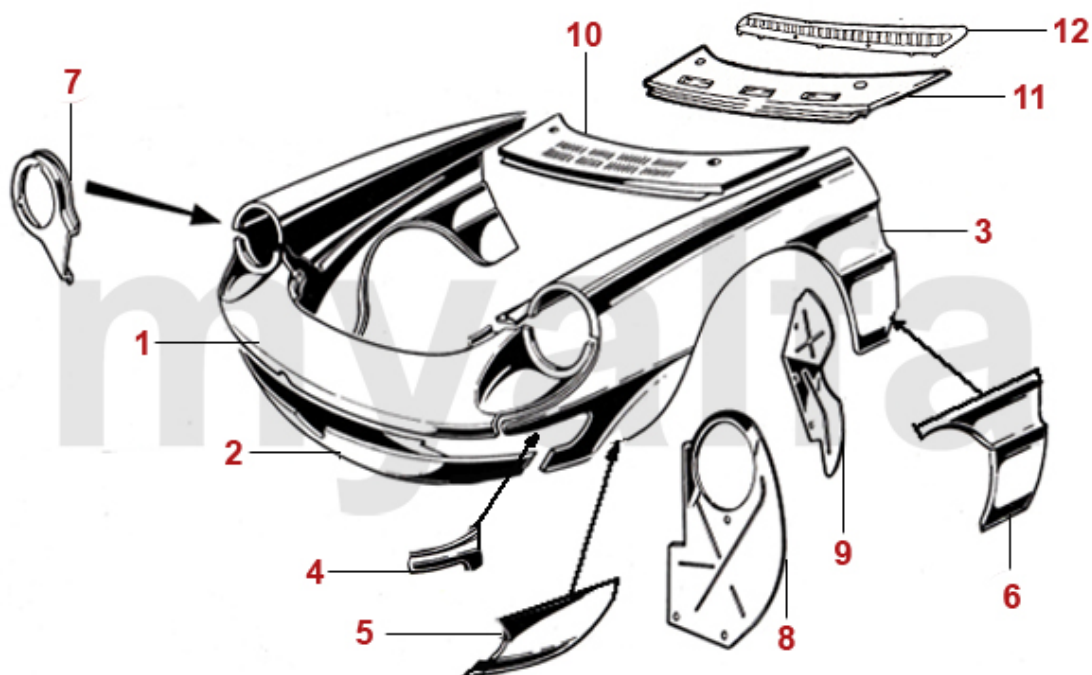
<b>1</b>	<b>1110580</b>	<b>RADIATOR CROSS-MEMBER 1963-68 FRONT PART</b>	<b>DKK508.65</b>
<b>2</b>	<b>1110590</b>	<b>RADIATOR CROSS-MEMBER 1963-68 REAR PART</b>	<b>DKK931.25</b>
<b>3</b>	<b>1112210</b>	<b>RADIATOR CROSS-MEMBER 1968-93 FRONT PART</b>	<b>DKK430.42</b>
<b>4</b>	<b>1110600</b>	<b>RADIATOR CROSS-MEMBER 1968-93 REAR PART</b>	<b>DKK508.65</b>
<b>5</b>	<b>1112240</b>	<b>UPPER TRANSVERSE PANEL SPIDER</b>	<b>DKK508.65</b>
<b>6</b>	<b>1190661</b>	<b>FLITCH PANEL LEFT</b>	<b>DKK853.03</b>
<b>6</b>	<b>1190662</b>	<b>FLITCH PANEL RIGHT</b>	<b>DKK853.03</b>
<b>7</b>	<b>1190641</b>	<b>SHUT PANEL FRONT LEFT</b>	<b>DKK363.93</b>
<b>7</b>	<b>1190642</b>	<b>SHUT PANEL FRONT RIGHT</b>	<b>DKK363.93</b>
<b>8</b>	<b>1190652</b>	<b>SHUT PANEL REAR RIGHT</b>	<b>DKK508.93</b>
<b>8</b>	<b>1190651</b>	<b>SHUT PANEL REAR LEFT</b>	<b>DKK508.93</b>
<b>9</b>	<b>1311050</b>	<b>FRONT TOW HOOK</b>	<b>DKK507.90</b>
<b>10</b>	<b>1191551</b>	<b>FRONT ANTI-ROLL BAR MOUNTING BRACKET LEFT</b>	<b>DKK312.25</b>
<b>10</b>	<b>1191552</b>	<b>FRONT ANTI-ROLL BAR MOUNTING BRACKET RIGHT</b>	<b>DKK312.25</b>
<b>11</b>	<b>1190690</b>	<b>BATTERY SUPPORT PANEL</b>	<b>DKK354.53</b>
<b>12</b>	<b>1191270</b>	<b>BATTERY TRAY METAL SERIES 1</b>	<b>DKK1,013.39</b>
<b>13</b>	<b>5410680</b>	<b>TOP SUSPENSION ARM INNER MOUNT</b>	<b>DKK521.97</b>
<b>14</b>	<b>1190540</b>	<b>RADIATOR FRAME SPIDER</b>	<b>DKK2,230.34</b>
<b>15</b>	<b>1310670</b>	<b>BUMPERSUPPORT BRACKET SPIDER 1966-82</b>	<b>DKK339.63</b>

1	1162291	FLOOR PAN FRONT LEFT - 105 FLOOR MOUNTED PEDALBOX	DKK1,479.01
2	1162012	FLOOR PAN FRONT RIGHT - 105/115 LHD	DKK1,400.79
3	1162421	FLOOR PAN REAR LEFT - 105 SPIDER 1966-69	DKK1,792.10
4	1162422	FLOOR PAN REAR RIGHT - 105 SPIDER 1966-69	DKK1,792.10
5	1162280	PEDALBOX FRAME STANDING PEDALS	DKK469.54
6	1193060	PEDAL COVER STANDING PEDALS DUETTO SPIDER 1966-69	DKK618.26
7	1160701	OUTER SILL SPIDER LEFT	DKK481.27
7	1160702	OUTER SILL SPIDER RIGHT	DKK481.27
8	1160731	MIDDLE SILL SPIDER LEFT	DKK1,557.33
8	1160732	MIDDLE SILL SPIDER RIGHT	DKK1,557.33
9	1190742	INNER A-PILLAR SPIDER INNER RIGHT	DKK774.71
9	1190741	INNER A-PILLAR SPIDER INNER LEFT	DKK774.71
10	1160761	INNER SILL SPIDER LEFT	DKK1,948.55
10	1160762	INNER SILL SPIDER RIGHT	DKK1,948.55
11	1160812	FRONT CHASSIS LEG RIGHT	DKK1,134.73
11	1160741	FRONT CHASSIS LEG LEFT 1962-68, STANDING PEDALS MECHANICAL CLUTCH	DKK1,322.56
11	1160751	FRONT CHASSIS LEG LEFT 1968-70, STANDING PEDALS HYDRAULIC CLUTCH	DKK1,400.79
12	1160822	FRONT CHASSIS LEG INSERT RIGHT	DKK871.74
12	1160021	FRONT CHASSIS LEG INSERT 1962-70 LEFT	DKK871.74
13	1191591	CROSS MEMBER FLOOR PAN LEFT	DKK1,244.24
13	1191592	CROSS MEMBER FLOOR PAN RIGHT	DKK1,244.24
14	1160770	JACKING POINT FRONT	DKK234.02
15	1160780	JACKING POINT GIULIA / SPIDER 1966-86 REAR	DKK351.36

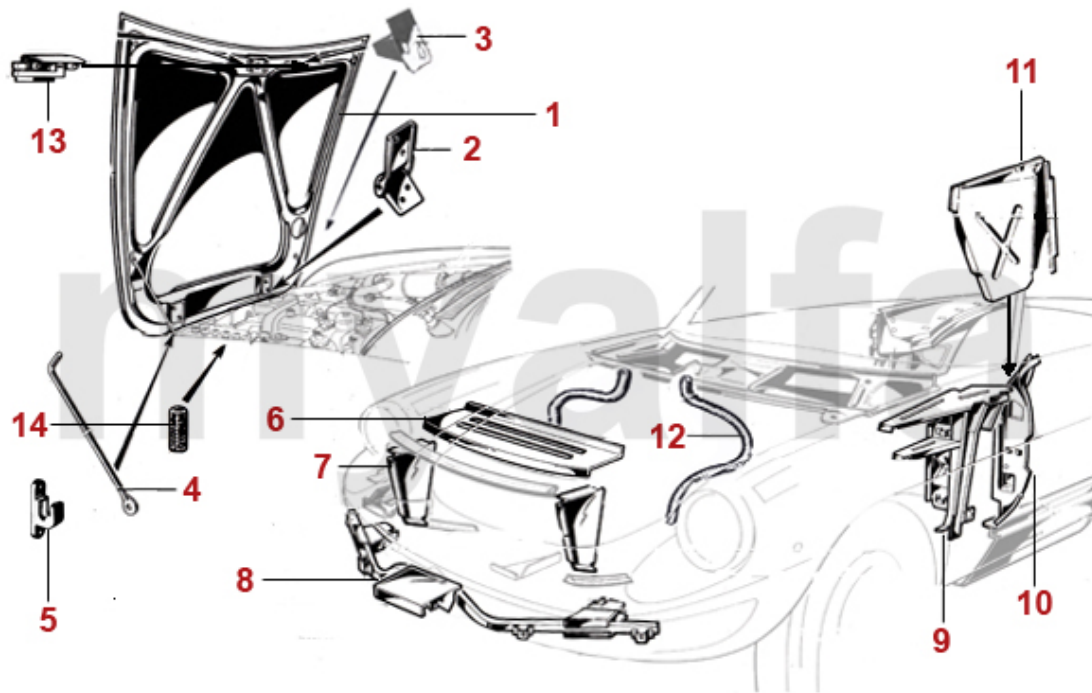


<b>1</b>	<b>1132951</b>	<b>DOOR SKIN SPIDER 1966-78 LEFT, EARLY DOOR HANDLE</b>	<b>DKK2,574.63</b>
<b>1</b>	<b>1132952</b>	<b>DOOR SKIN SPIDER 1966-78 RIGHT, EARLY DOOR HANDLE</b>	<b>DKK2,574.63</b>
<b>1</b>	<b>1132801</b>	<b>DOOR SPIDER 1966-69 LEFT</b>	<b>DKK5,946.68</b>
<b>1</b>	<b>1132802</b>	<b>DOOR SPIDER 1966-69 RIGHT</b>	<b>DKK5,946.68</b>
<b>2</b>	<b>1201801</b>	<b>REPAIR PANEL BOTTOM DOOR SKIN SPIDER LEFT</b>	<b>DKK696.48</b>
<b>2</b>	<b>1201802</b>	<b>REPAIR PANEL BOTTOM DOOR SKIN SPIDER RIGHT</b>	<b>DKK696.48</b>
<b>3</b>	<b>1201101</b>	<b>REPAIR PANEL DOOR BOTTOM SPIDER LEFT</b>	<b>On request</b>
<b>3</b>	<b>1201102</b>	<b>REPAIR PANEL DOOR BOTTOM SPIDER RIGHT</b>	<b>On request</b>
<b>4</b>	<b>1151131</b>	<b>B-PILLAR SPIDER LEFT</b>	<b>On request</b>
<b>4</b>	<b>1151132</b>	<b>B-PILLAR SPIDER RIGHT</b>	<b>On request</b>

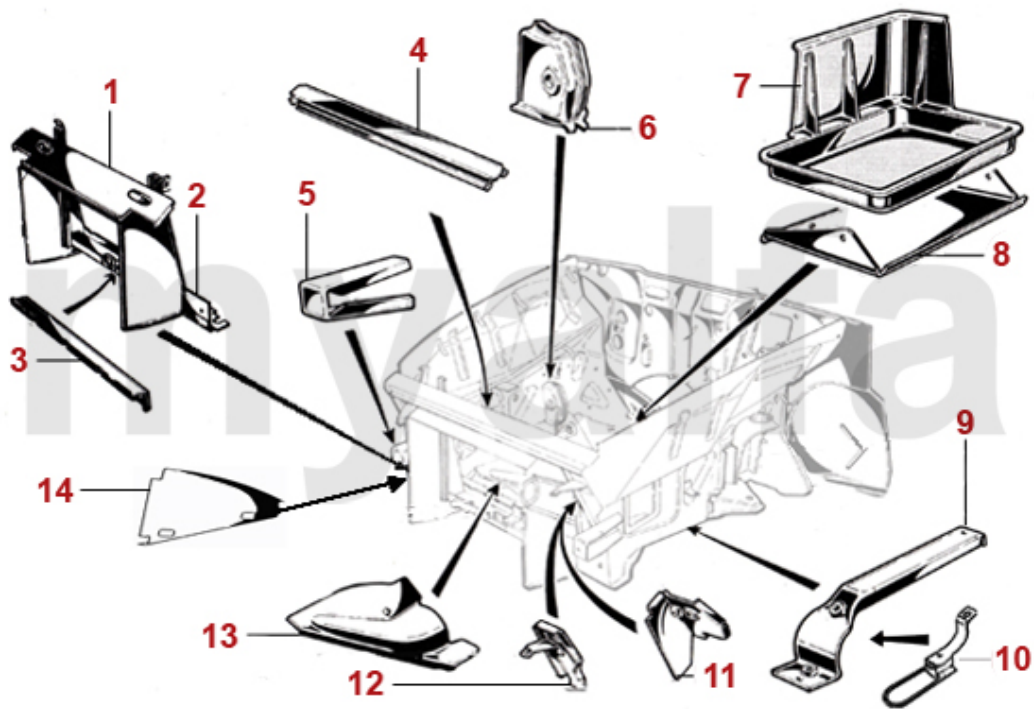
1	1152440	OUTER REAR VALANCE SPIDER 1966-69	DKK3,247.64
2	1152820	INNER REAR VALANCE SPIDER 1966-69	DKK1,400.79
3	1141722	REAR WING SPIDER 1966-69 RIGHT	DKK11,104.60
3	1141721	REAR WING SPIDER 1966-69 LEFT	DKK11,104.60
4	1201411	REPAIR PANEL REAR WING SPIDER 1966-69 REAR LEFT	DKK1,322.56
4	1201412	REPAIR PANEL REAR WING SPIDER 1966-69 REAR RIGHT	DKK1,322.56
5	1200921	REPAIR PANEL WHEEL ARCH SPIDER REAR LEFT	DKK389.73
5	1200922	REPAIR PANEL WHEEL ARCH SPIDER REAR RIGHT	DKK389.73
6	1201351	REPAIR PANEL REAR WING SPIDER FRONT LEFT	DKK449.98
6	1201352	REPAIR PANEL REAR WING SPIDER FRONT RIGHT	DKK449.98
7	1160961	MIDDLE WHEELARCH SPIDER LEFT	On request
7	1160962	MIDDLE WHEELARCH SPIDER RIGHT	On request
8	1162841	OUTER WHEELARCH SPIDER LEFT 1966-89	DKK1,322.56
8	1162842	OUTER WHEELARCH SPIDER RIGHT 1966-89	DKK1,322.56
9	1191691	REBOUND STRAP MOUNT REPAIR PANEL LEFT	DKK410.87
9	1191692	REBOUND STRAP MOUNT REPAIR PANEL RIGHT	DKK410.87
10	1310060	TOW HOOK GIULIA / GT BERTONE / SPIDER REAR	DKK461.71
11	1161040	BOOT FLOOR PANEL SPIDER 1966-69	DKK3,044.16
12	1160180	SPARE WHEEL WELL HIGH QUALITY	DKK1,017.30
13	1202180	REPAIR PANEL BOOT LID SKIN SPIDER 1966-69	DKK1,760.81
14	1202190	REPAIR PANEL BOOT LID FRAME SPIDER 1966-69	DKK2,386.79
15	1170911	FUEL FILLER FLAP SPIDER	On request
16	1164230	EXHAUST MOUNT FOR TRUNK FLOOR	DKK148.72
17	1164240	STRENGTHENING PLATE FOR TRUNKFLOOR	DKK383.49
18	1192580	TORSION BAR SET TRUNK LID SPIDER 1966-69	DKK774.71



<b>1</b>	<b>1110400</b>	<b>UPPER FRONT PANEL SPIDER 1970-82</b>	<b>DKK1,870.32</b>
<b>2</b>	<b>1110410</b>	<b>LOWER FRONT PANEL SPIDER 1970-82</b>	<b>DKK856.94</b>
<b>3</b>	<b>1120381</b>	<b>FRONT WING SPIDER 1966-82 LEFT</b>	<b>DKK4,687.54</b>
<b>3</b>	<b>1120382</b>	<b>FRONT WING SPIDER 1966-82 RIGHT</b>	<b>DKK4,687.54</b>
<b>4</b>	<b>1202271</b>	<b>REPAIR PANEL FRONT WING SPIDER FRONT LEFT</b>	<b>DKK325.94</b>
<b>4</b>	<b>1202272</b>	<b>REPAIR PANEL FRONT WING SPIDER FRONT RIGHT</b>	<b>DKK325.94</b>
<b>5</b>	<b>1201341</b>	<b>REPAIR PANEL FRONT WING SPIDER FRONT LEFT</b>	<b>DKK410.87</b>
<b>5</b>	<b>1201342</b>	<b>REPAIR PANEL FRONT WING SPIDER FRONT RIGHT</b>	<b>DKK410.87</b>
<b>6</b>	<b>1201161</b>	<b>REPAIR PANEL FRONT WING SPIDER REAR LEFT</b>	<b>DKK586.13</b>
<b>6</b>	<b>1201162</b>	<b>REPAIR PANEL FRONT WING SPIDER REAR RIGHT</b>	<b>DKK586.13</b>
<b>7</b>	<b>1110391</b>	<b>HEADLIGHT SUPPORT PANEL SPIDER LEFT</b>	<b>DKK696.48</b>
<b>7</b>	<b>1110392</b>	<b>HEADLIGHT SUPPORT PANEL SPIDER RIGHT</b>	<b>DKK696.48</b>
<b>8</b>	<b>1192891</b>	<b>SPLASH PANEL SPIDER 1966-89 ALUMINIUM FRONT LEFT</b>	<b>DKK547.02</b>
<b>8</b>	<b>1192892</b>	<b>SPLASH PANEL SPIDER 1966-89 ALUMINIUM FRONT RIGHT</b>	<b>DKK547.02</b>
<b>9</b>	<b>1192901</b>	<b>SPLASH PANEL SPIDER 1966-89 ALUMINIUM REAR LEFT</b>	<b>DKK430.05</b>
<b>9</b>	<b>1192902</b>	<b>SPLASH PANEL SPIDER 1966-89 ALUMINIUM REAR RIGHT</b>	<b>DKK430.05</b>
<b>10</b>	<b>1190520</b>	<b>SCUTTLE PANEL SPIDER 1970-80 FRONT</b>	<b>On request</b>
<b>11</b>	<b>1190530</b>	<b>SCUTTLE PANEL SPIDER 1981-93 FRONT</b>	<b>DKK1,713.78</b>

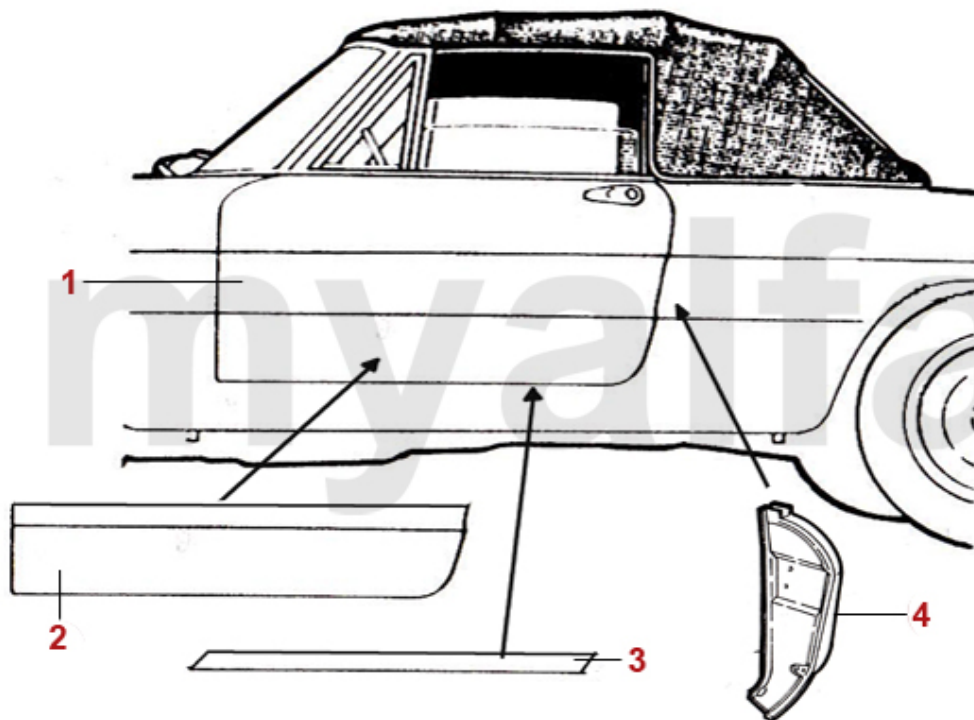


<b>1</b>	<b>1130490</b>	<b>BONNET SPIDER</b>	<b>DKK5,282.33</b>
<b>2</b>	<b>1130500</b>	<b>BONNET HINGE SPIDER</b>	<b>DKK426.51</b>
<b>3</b>	<b>1372410</b>	<b>BONNET HINGE SUPPORT SPIDER</b>	<b>DKK199.57</b>
<b>4</b>	<b>1192430</b>	<b>BONNET SUPPORT SPIDER</b>	<b>DKK352.11</b>
<b>5</b>	<b>1371900</b>	<b>BONNET STICK SUPPORT 105/115</b>	<b>DKK77.48</b>
<b>6</b>	<b>1190560</b>	<b>AIR DEFLECTOR PANEL SPIDER 1966-82 ON TOP</b>	<b>DKK586.97</b>
<b>7</b>	<b>1190551</b>	<b>AIR DEFLECTOR PANEL SPIDER 1966-82 LEFT</b>	<b>DKK281.70</b>
<b>7</b>	<b>1190552</b>	<b>AIR DEFLECTOR PANEL SPIDER 1966-82 RIGHT</b>	<b>DKK281.70</b>
<b>8</b>	<b>1310480</b>	<b>BUMPER SUPPORT SPIDER 1970-82 FRONT</b>	<b>DKK1,557.33</b>
<b>9</b>	<b>1191111</b>	<b>A-PILLAR SPIDER LEFT</b>	<b>DKK3,122.48</b>
<b>9</b>	<b>1191112</b>	<b>A-PILLAR SPIDER RIGHT</b>	<b>DKK3,122.48</b>
<b>10</b>	<b>1191122</b>	<b>OUTER A-PILLAR SHUT PANEL SPIDER RIGHT</b>	<b>DKK1,776.45</b>
<b>10</b>	<b>1191121</b>	<b>OUTER A-PILLAR SHUT PANEL SPIDER LEFT</b>	<b>DKK1,776.45</b>
<b>11</b>	<b>1191301</b>	<b>INNER A-PILLAR SHUT PANEL SPIDER LEFT</b>	<b>On request</b>
<b>11</b>	<b>1191302</b>	<b>INNER A-PILLAR SHUT PANEL SPIDER RIGHT</b>	<b>On request</b>
<b>12</b>	<b>1191500</b>	<b>SCUTTLE DRAIN HOSE GRAY</b>	<b>DKK155.71</b>
<b>12</b>	<b>1191160</b>	<b>SCUTTLE DRAIN HOSE SPIDER 1970-93</b>	<b>DKK149.47</b>
<b>13</b>	<b>1570140</b>	<b>LIGHT UNDER BONNET/TRUNK/ GLOVE BOX</b>	<b>DKK132.24</b>
<b>14</b>	<b>1630560</b>	<b>BONNET STOP (SET) GT BERTONE / SPIDER</b>	<b>DKK93.13</b>

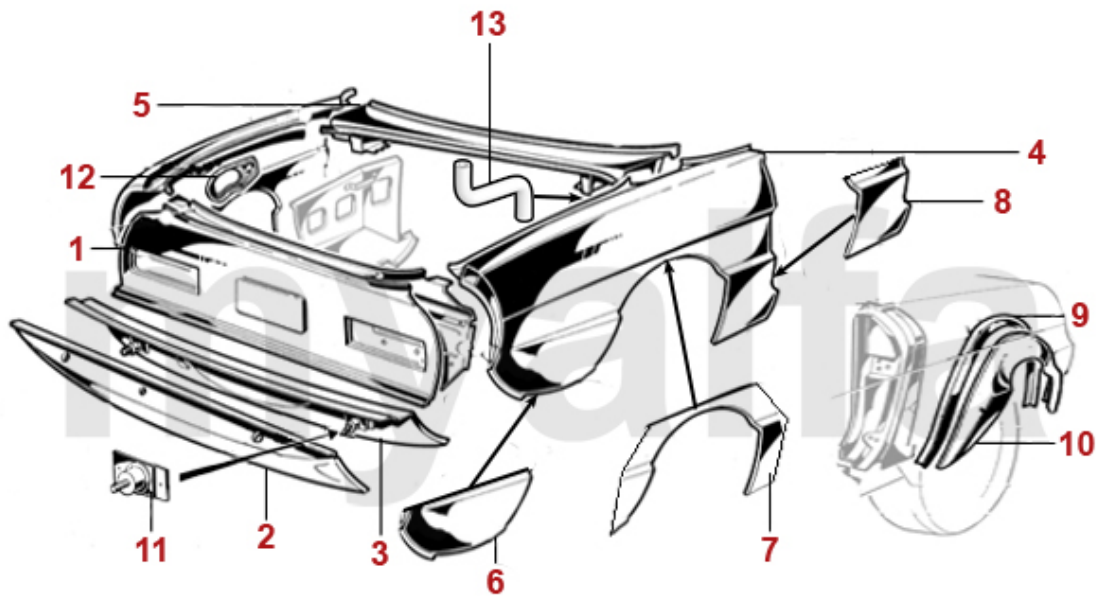


<b>1</b>	<b>1190540</b>	<b>RADIATOR FRAME SPIDER</b>	<b>DKK2,230.34</b>
<b>2</b>	<b>1112210</b>	<b>RADIATOR CROSS-MEMBER 1968-93 FRONT PART</b>	<b>DKK430.42</b>
<b>3</b>	<b>1110600</b>	<b>RADIATOR CROSS-MEMBER 1968-93 REAR PART</b>	<b>DKK508.65</b>
<b>4</b>	<b>1112240</b>	<b>UPPER TRANSVERSE PANEL SPIDER</b>	<b>DKK508.65</b>
<b>5</b>	<b>1310670</b>	<b>BUMPERSUPPORT BRACKET SPIDER 1966-82</b>	<b>DKK339.63</b>
<b>6</b>	<b>5410680</b>	<b>TOP SUSPENSION ARM INNER MOUNT</b>	<b>DKK521.97</b>
<b>7</b>	<b>1190250</b>	<b>BATTERY TRAY PLASTIC CARBURETTOR MODELS</b>	<b>DKK285.61</b>
<b>8</b>	<b>1190690</b>	<b>BATTERY SUPPORT PANEL</b>	<b>DKK354.53</b>
<b>9</b>	<b>1191551</b>	<b>FRONT ANTI-ROLL BAR MOUNTING BRACKET LEFT</b>	<b>DKK312.25</b>
<b>9</b>	<b>1191552</b>	<b>FRONT ANTI-ROLL BAR MOUNTING BRACKET RIGHT</b>	<b>DKK312.25</b>
<b>10</b>	<b>1311050</b>	<b>FRONT TOW HOOK</b>	<b>DKK507.90</b>
<b>11</b>	<b>1190652</b>	<b>SHUT PANEL REAR RIGHT</b>	<b>DKK508.93</b>
<b>11</b>	<b>1190651</b>	<b>SHUT PANEL REAR LEFT</b>	<b>DKK508.93</b>
<b>12</b>	<b>1190641</b>	<b>SHUT PANEL FRONT LEFT</b>	<b>DKK363.93</b>
<b>12</b>	<b>1190642</b>	<b>SHUT PANEL FRONT RIGHT</b>	<b>DKK363.93</b>
<b>13</b>	<b>1190661</b>	<b>FLITCH PANEL LEFT</b>	<b>DKK853.03</b>
<b>13</b>	<b>1190662</b>	<b>FLITCH PANEL RIGHT</b>	<b>DKK853.03</b>
<b>14</b>	<b>1192871</b>	<b>SPLASH PANEL SUPPORT SPIDER 1966-82 FRONT LEFT</b>	<b>DKK374.83</b>
<b>14</b>	<b>1192872</b>	<b>SPLASH PANEL SUPPORT SPIDER 1966-82 FRONT RIGHT</b>	<b>DKK374.83</b>

1	1162011	FLOOR PAN FRONT LEFT - 105/115 TOP MOUNTED PEDALBOX	DKK1,400.79
1	1160801	FLOOR PAN FULL LENGHT LEFT - 105/115 SPIDER 1970-93	DKK1,244.24
2	1162012	FLOOR PAN FRONT RIGHT - 105/115 LHD	DKK1,400.79
2	1160802	FLOOR PAN FULL LENGHT RIGHT - 105/115 SPIDER 1970-93	DKK1,244.24
3	1160841	FLOOR PAN REAR LEFT - 105/115 SPIDER 1970-93	DKK1,564.31
4	1160842	FLOOR PAN SPIDER 1970-93 REAR RIGHT	DKK1,564.31
5	1191591	CROSS MEMBER FLOOR PAN LEFT	DKK1,244.24
5	1191592	CROSS MEMBER FLOOR PAN RIGHT	DKK1,244.24
6	1160811	FRONT CHASSIS LEG LEFT FROM 1970 ON, HANGING PEDALS	DKK1,134.73
6	1160812	FRONT CHASSIS LEG RIGHT	DKK1,134.73
6	1160751	FRONT CHASSIS LEG LEFT 1968-70, STANDING PEDALS HYDRAULIC CLUTCH	DKK1,400.79
7	1160821	FRONT CHASSIS LEG INSERT 1970-93 LEFT	DKK871.74
7	1160822	FRONT CHASSIS LEG INSERT RIGHT	DKK871.74
8	1160761	INNER SILL SPIDER LEFT	DKK1,948.55
8	1160762	INNER SILL SPIDER RIGHT	DKK1,948.55
9	1160731	MIDDLE SILL SPIDER LEFT	DKK1,557.33
9	1160732	MIDDLE SILL SPIDER RIGHT	DKK1,557.33
10	1160701	OUTER SILL SPIDER LEFT	DKK481.27
10	1160702	OUTER SILL SPIDER RIGHT	DKK481.27
11	1190742	INNER A-PILLAR SPIDER INNER RIGHT	DKK774.71
11	1190741	INNER A-PILLAR SPIDER INNER LEFT	DKK774.71
12	1160770	JACKING POINT FRONT	DKK234.02
13	1160780	JACKING POINT GIULIA / SPIDER 1966-86 REAR	DKK351.36

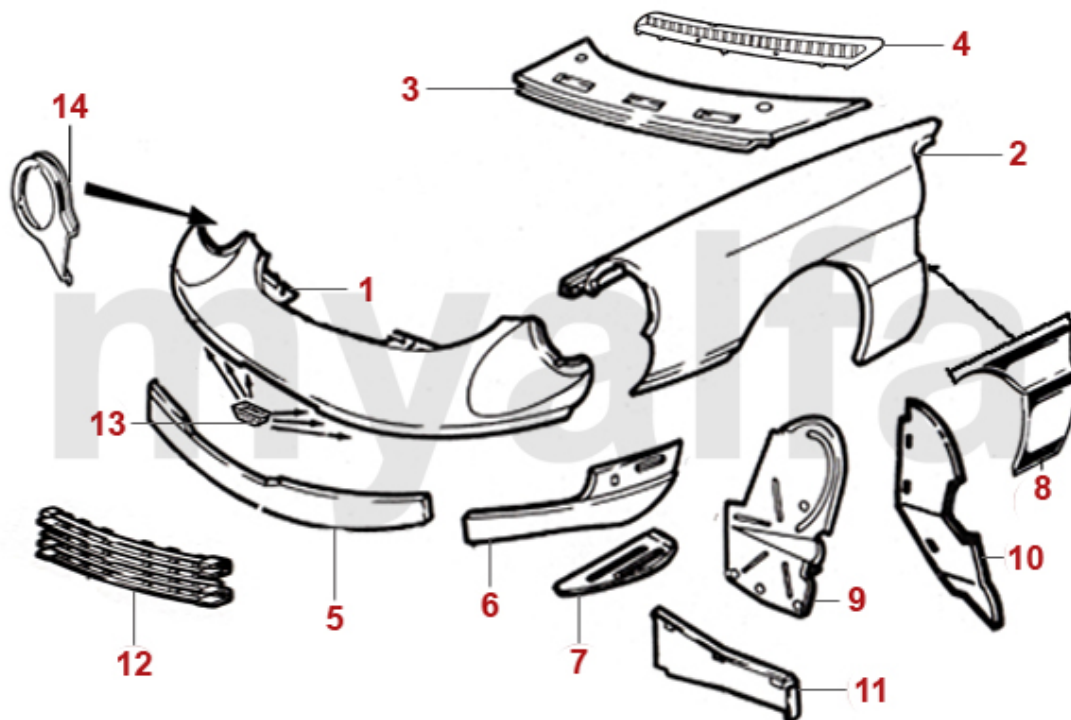


1	1131081	DOOR SPIDER 1970-79, 1750/2000 / 1979-93, 1600 LEFT	DKK5,470.16
1	1131082	DOOR SPIDER 1970-93, 1750-2000 / 1979-93,1600 RIGHT	DKK5,477.15
1	1132951	DOOR SKIN SPIDER 1966-78 LEFT, EARLY DOOR HANDLE	DKK2,574.63
1	1132952	DOOR SKIN SPIDER 1966-78 RIGHT, EARLY DOOR HANDLE	DKK2,574.63
1	1132961	DOOR SKIN SPIDER 1970-93 LEFT, LATE DOOR HANDLE	DKK2,105.09
1	1132962	DOOR SKIN SPIDER 1970-93 RIGHT, LATE DOOR HANDLE	DKK2,105.09
1	1131091	DOOR SPIDER 1970-78, 1300-1600 LEFT	DKK5,470.16
1	1131092	DOOR SPIDER 1970-78, 1300-1600 RIGHT	DKK5,470.16
2	1201801	REPAIR PANEL BOTTOM DOOR SKIN SPIDER LEFT	DKK696.48
2	1201802	REPAIR PANEL BOTTOM DOOR SKIN SPIDER RIGHT	DKK696.48
3	1201101	REPAIR PANEL DOOR BOTTOM SPIDER LEFT	On request
3	1201102	REPAIR PANEL DOOR BOTTOM SPIDER RIGHT	On request
4	1151131	B-PILLAR SPIDER LEFT	On request
4	1151132	B-PILLAR SPIDER RIGHT	On request

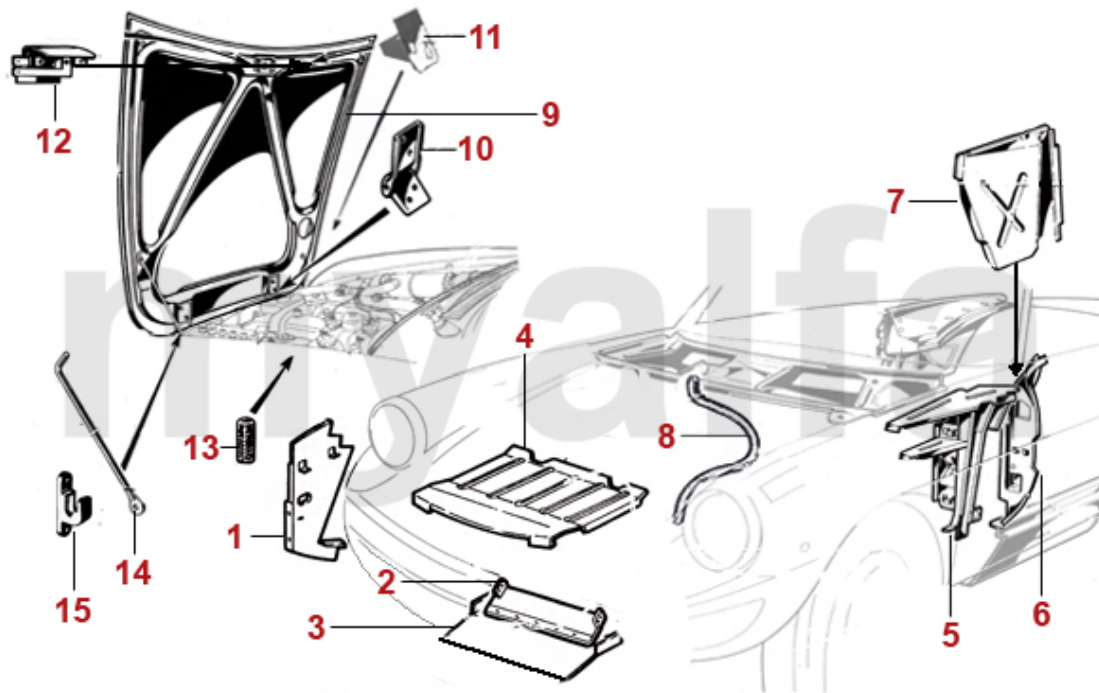


<b>1</b>	<b>1150990</b>	<b>UPPER REAR PANEL SPIDER 1970-82</b>	<b>DKK3,122.39</b>
<b>2</b>	<b>1151000</b>	<b>OUTER REAR VALANCE SPIDER 1970-82</b>	<b>DKK826.39</b>
<b>3</b>	<b>1151010</b>	<b>INNER REAR VALANCE SPIDER 1983-93</b>	<b>DKK1,009.48</b>
<b>4</b>	<b>1140881</b>	<b>REAR WING SPIDER 1970-82 LEFT</b>	<b>DKK5,227.48</b>
<b>4</b>	<b>1140882</b>	<b>REAR WING SPIDER 1970-82 RIGHT</b>	<b>DKK5,227.48</b>
<b>5</b>	<b>1191450</b>	<b>REAR SOFT TOP BASE PANEL SPIDER 1970-93</b>	<b>DKK2,269.46</b>
<b>6</b>	<b>1201362</b>	<b>REPAIR PANEL REAR WING SPIDER 1970-89 REAR RIGHT</b>	<b>DKK465.63</b>
<b>6</b>	<b>1201361</b>	<b>REPAIR PANEL REAR WING SPIDER 1970-89 REAR LEFT</b>	<b>DKK465.63</b>
<b>7</b>	<b>1200921</b>	<b>REPAIR PANEL WHEEL ARCH SPIDER REAR LEFT</b>	<b>DKK389.73</b>
<b>7</b>	<b>1200922</b>	<b>REPAIR PANEL WHEEL ARCH SPIDER REAR RIGHT</b>	<b>DKK389.73</b>
<b>8</b>	<b>1201351</b>	<b>REPAIR PANEL REAR WING SPIDER FRONT LEFT</b>	<b>DKK449.98</b>
<b>8</b>	<b>1201352</b>	<b>REPAIR PANEL REAR WING SPIDER FRONT RIGHT</b>	<b>DKK449.98</b>
<b>9</b>	<b>1160961</b>	<b>MIDDLE WHEELARCH SPIDER LEFT</b>	<b>On request</b>
<b>9</b>	<b>1160962</b>	<b>MIDDLE WHEELARCH SPIDER RIGHT</b>	<b>On request</b>
<b>10</b>	<b>1162841</b>	<b>OUTER WHEELARCH SPIDER LEFT 1966-89</b>	<b>DKK1,322.56</b>
<b>10</b>	<b>1162842</b>	<b>OUTER WHEELARCH SPIDER RIGHT 1966-89</b>	<b>DKK1,322.56</b>
<b>11</b>	<b>1311020</b>	<b>BUMPER SUPPORT SPIDER 1970-82 REAR</b>	<b>DKK230.86</b>
<b>12</b>	<b>1170901</b>	<b>FUEL FILLER FLAP FRAME SPIDER</b>	<b>On request</b>
<b>13</b>	<b>1191240</b>	<b>DRAIN HOSE TRUNK / MIDDLE SILL</b>	<b>DKK69.66</b>
<b>14</b>	<b>1164230</b>	<b>EXHAUST MOUNT FOR TRUNK FLOOR</b>	<b>DKK148.72</b>
<b>15</b>	<b>1164240</b>	<b>STRENGTHENING PLATE FOR TRUNKFLOOR</b>	<b>DKK383.49</b>

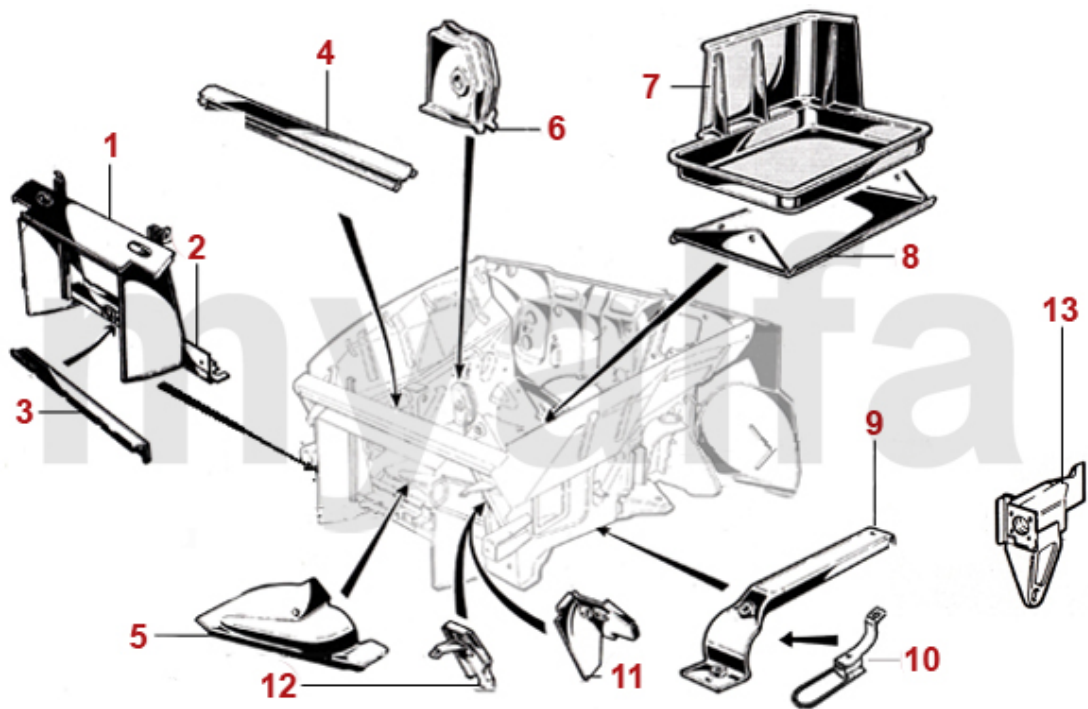
<b>1</b>	<b>1131030</b>	<b>BOOT LID SPIDER 1970-82</b>	<b>DKK5,438.78</b>
<b>2</b>	<b>1170911</b>	<b>FUEL FILLER FLAP SPIDER</b>	<b>On request</b>
<b>3</b>	<b>1170700</b>	<b>FUEL FILLER FLAP HANDLE SPIDER</b>	<b>DKK132.24</b>
<b>4</b>	<b>1162830</b>	<b>BOOT FLOOR PANEL SPIDER 1970-93</b>	<b>DKK3,443.30</b>
<b>5</b>	<b>1160180</b>	<b>SPARE WHEEL WELL HIGH QUALITY</b>	<b>DKK1,017.30</b>
<b>6</b>	<b>1191691</b>	<b>REBOUND STRAP MOUNT REPAIR PANEL LEFT</b>	<b>DKK410.87</b>
<b>6</b>	<b>1191692</b>	<b>REBOUND STRAP MOUNT REPAIR PANEL RIGHT</b>	<b>DKK410.87</b>
<b>7</b>	<b>1310060</b>	<b>TOW HOOK GIULIA / GT BERTONE / SPIDER REAR</b>	<b>DKK461.71</b>
<b>8</b>	<b>1192510</b>	<b>TORSION BAR SET TRUNK LID SPIDER 1970-93</b>	<b>DKK774.71</b>



<b>1</b>	<b>1111210</b>	<b>UPPER FRONT PANEL SPIDER 1983-89</b>	<b>DKK1,870.32</b>
<b>2</b>	<b>1121201</b>	<b>FRONT WING SPIDER 1983-93 LEFT</b>	<b>DKK4,068.54</b>
<b>2</b>	<b>1121202</b>	<b>FRONT WING SPIDER 1983-93 RIGHT</b>	<b>DKK4,068.54</b>
<b>3</b>	<b>1190530</b>	<b>SCUTTLE PANEL SPIDER 1981-93 FRONT</b>	<b>DKK1,713.78</b>
<b>5</b>	<b>1111220</b>	<b>FRONT VALANCE SPIDER 1983-89 MIDDLE</b>	<b>DKK657.37</b>
<b>6</b>	<b>1111231</b>	<b>FRONT VALANCE SPIDER 1983-89 LEFT</b>	<b>DKK606.52</b>
<b>6</b>	<b>1111232</b>	<b>FRONT VALANCE SPIDER 1983-89 RIGHT</b>	<b>DKK606.52</b>
<b>7</b>	<b>1191571</b>	<b>LOWER FRONT SIDE PANEL SPIDER 1983-93 LEFT</b>	<b>DKK215.21</b>
<b>7</b>	<b>1191572</b>	<b>LOWER FRONT SIDE PANEL SPIDER 1983-93 RIGHT</b>	<b>DKK197.15</b>
<b>8</b>	<b>1201161</b>	<b>REPAIR PANEL FRONT WING SPIDER REAR LEFT</b>	<b>DKK586.13</b>
<b>8</b>	<b>1201162</b>	<b>REPAIR PANEL FRONT WING SPIDER REAR RIGHT</b>	<b>DKK586.13</b>
<b>9</b>	<b>1191172</b>	<b>SPLASH PANEL SPIDER 1983-89 FRONT RIGHT</b>	<b>DKK853.03</b>
<b>9</b>	<b>1191171</b>	<b>SPLASH PANEL SPIDER 1983-89 FRONT LEFT</b>	<b>DKK853.03</b>
<b>10</b>	<b>1192901</b>	<b>SPLASH PANEL SPIDER 1966-89 ALUMINIUM REAR LEFT</b>	<b>DKK430.05</b>
<b>10</b>	<b>1192902</b>	<b>SPLASH PANEL SPIDER 1966-89 ALUMINIUM REAR RIGHT</b>	<b>DKK430.05</b>
<b>11</b>	<b>1192131</b>	<b>PANEL SPIDER 1983-93 LEFT</b>	<b>DKK465.63</b>
<b>11</b>	<b>1192132</b>	<b>PANEL SPIDER 1983-93 RIGHT</b>	<b>DKK465.63</b>
<b>12</b>	<b>1191900</b>	<b>SCUTTLE GRID PLASTIC SPIDER 1983-93</b>	<b>On request</b>
<b>13</b>	<b>1371260</b>	<b>SPACER (3 PCS) FRONT PANEL / BUMPER SPIDER 1983-93</b>	<b>DKK69.66</b>
<b>14</b>	<b>1110391</b>	<b>HEADLIGHT SUPPORT PANEL SPIDER LEFT</b>	<b>DKK696.48</b>
<b>14</b>	<b>1110392</b>	<b>HEADLIGHT SUPPORT PANEL SPIDER RIGHT</b>	<b>DKK696.48</b>

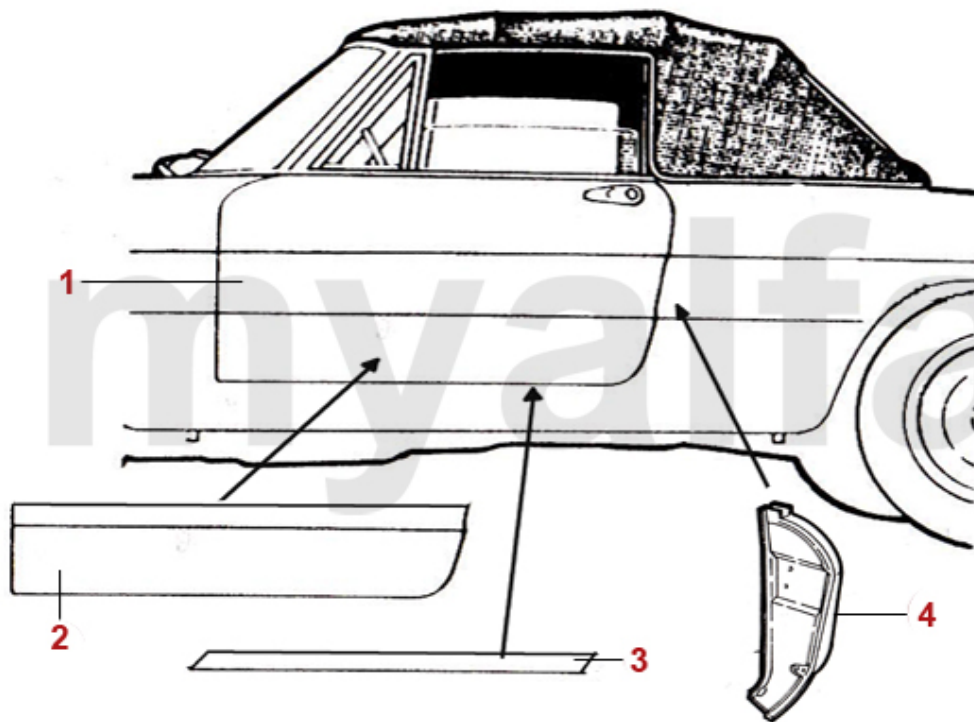


<b>1</b>	<b>1191861</b>	<b>DEFLECTOR PANEL SPIDER SPIDER 1983-89 LEFT</b>	<b>DKK312.99</b>
<b>1</b>	<b>1191862</b>	<b>DEFLECTOR PANEL SPIDER SPIDER 1983-89 RIGHT</b>	<b>DKK312.99</b>
<b>2</b>	<b>1191880</b>	<b>LOWER DEFLECTOR PANEL SPIDER SPIDER 1983-89</b>	<b>DKK234.02</b>
<b>3</b>	<b>1111890</b>	<b>LOWER AIR DEFLECTOR PANEL SPIDER 1983-89</b>	<b>DKK449.89</b>
<b>4</b>	<b>1191870</b>	<b>UPPER DEFLECTOR PANEL SPIDER SPIDER 1983-89</b>	<b>DKK696.48</b>
<b>5</b>	<b>1191111</b>	<b>A-PILLAR SPIDER LEFT</b>	<b>DKK3,122.48</b>
<b>5</b>	<b>1191112</b>	<b>A-PILLAR SPIDER RIGHT</b>	<b>DKK3,122.48</b>
<b>6</b>	<b>1191122</b>	<b>OUTER A-PILLAR SHUT PANEL SPIDER RIGHT</b>	<b>DKK1,776.45</b>
<b>6</b>	<b>1191121</b>	<b>OUTER A-PILLAR SHUT PANEL SPIDER LEFT</b>	<b>DKK1,776.45</b>
<b>7</b>	<b>1191301</b>	<b>INNER A-PILLAR SHUT PANEL SPIDER LEFT</b>	<b>On request</b>
<b>7</b>	<b>1191302</b>	<b>INNER A-PILLAR SHUT PANEL SPIDER RIGHT</b>	<b>On request</b>
<b>8</b>	<b>1191500</b>	<b>SCUTTLE DRAIN HOSE GRAY</b>	<b>DKK155.71</b>
<b>8</b>	<b>1191160</b>	<b>SCUTTLE DRAIN HOSE SPIDER 1970-93</b>	<b>DKK149.47</b>
<b>9</b>	<b>1130490</b>	<b>BONNET SPIDER</b>	<b>DKK5,282.33</b>
<b>10</b>	<b>1130500</b>	<b>BONNET HINGE SPIDER</b>	<b>DKK426.51</b>
<b>11</b>	<b>1372410</b>	<b>BONNET HINGE SUPPORT SPIDER</b>	<b>DKK199.57</b>
<b>12</b>	<b>1570140</b>	<b>LIGHT UNDER BONNET/TRUNK/ GLOVE BOX</b>	<b>DKK132.24</b>
<b>13</b>	<b>1630560</b>	<b>BONNET STOP (SET) GT BERTONE / SPIDER</b>	<b>DKK93.13</b>
<b>14</b>	<b>1192430</b>	<b>BONNET SUPPORT SPIDER</b>	<b>DKK352.11</b>
<b>15</b>	<b>1371900</b>	<b>BONNET STICK SUPPORT 105/115</b>	<b>DKK77.48</b>

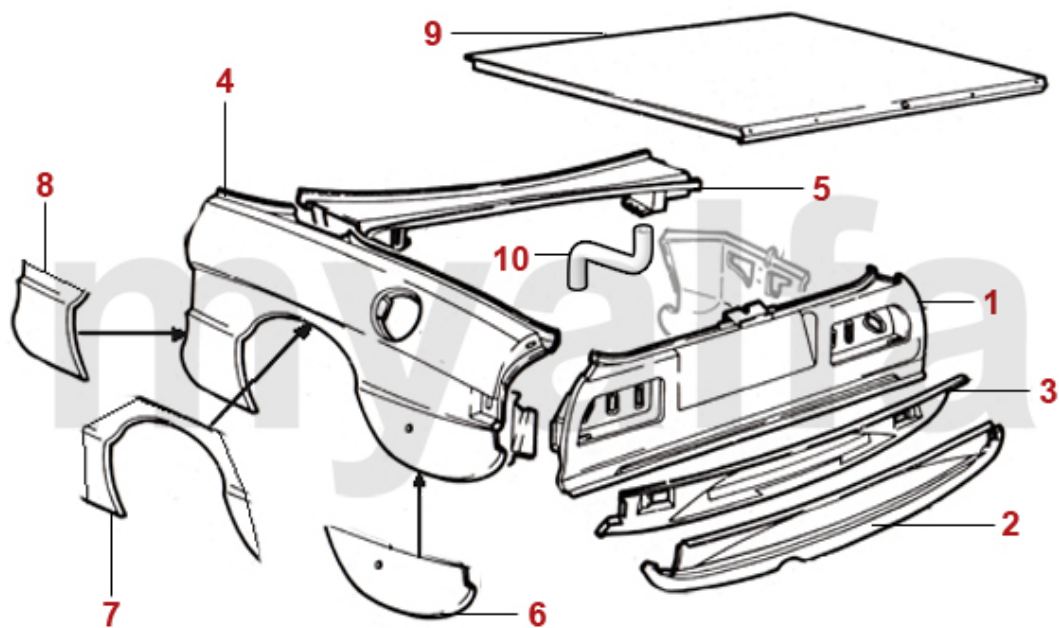


<b>1</b>	<b>1190540</b>	<b>RADIATOR FRAME SPIDER</b>	<b>DKK2,230.34</b>
<b>2</b>	<b>1112210</b>	<b>RADIATOR CROSS-MEMBER 1968-93 FRONT PART</b>	<b>DKK430.42</b>
<b>3</b>	<b>1110600</b>	<b>RADIATOR CROSS-MEMBER 1968-93 REAR PART</b>	<b>DKK508.65</b>
<b>4</b>	<b>1112240</b>	<b>UPPER TRANSVERSE PANEL SPIDER</b>	<b>DKK508.65</b>
<b>5</b>	<b>1190661</b>	<b>FLITCH PANEL LEFT</b>	<b>DKK853.03</b>
<b>5</b>	<b>1190662</b>	<b>FLITCH PANEL RIGHT</b>	<b>DKK853.03</b>
<b>6</b>	<b>5410680</b>	<b>TOP SUSPENSION ARM INNER MOUNT</b>	<b>DKK521.97</b>
<b>7</b>	<b>1190250</b>	<b>BATTERY TRAY PLASTIC CARBURETTOR MODELS</b>	<b>DKK285.61</b>
<b>8</b>	<b>1190690</b>	<b>BATTERY SUPPORT PANEL</b>	<b>DKK354.53</b>
<b>9</b>	<b>1191551</b>	<b>FRONT ANTI-ROLL BAR MOUNTING BRACKET LEFT</b>	<b>DKK312.25</b>
<b>9</b>	<b>1191552</b>	<b>FRONT ANTI-ROLL BAR MOUNTING BRACKET RIGHT</b>	<b>DKK312.25</b>
<b>10</b>	<b>1311050</b>	<b>FRONT TOW HOOK</b>	<b>DKK507.90</b>
<b>11</b>	<b>1190652</b>	<b>SHUT PANEL REAR RIGHT</b>	<b>DKK508.93</b>
<b>11</b>	<b>1190651</b>	<b>SHUT PANEL REAR LEFT</b>	<b>DKK508.93</b>
<b>12</b>	<b>1190641</b>	<b>SHUT PANEL FRONT LEFT</b>	<b>DKK363.93</b>
<b>12</b>	<b>1190642</b>	<b>SHUT PANEL FRONT RIGHT</b>	<b>DKK363.93</b>
<b>13</b>	<b>1311851</b>	<b>BUMPER SUPPORT SPIDER 1983-93 FRONT LEFT</b>	<b>On request</b>
<b>13</b>	<b>1311852</b>	<b>BUMPER SUPPORT SPIDER 1983-93 FRONT RIGHT</b>	<b>On request</b>

1	1162011	FLOOR PAN FRONT LEFT - 105/115 TOP MOUNTED PEDALBOX	DKK1,400.79
1	1160801	FLOOR PAN FULL LENGHT LEFT - 105/115 SPIDER 1970-93	DKK1,244.24
2	1162012	FLOOR PAN FRONT RIGHT - 105/115 LHD	DKK1,400.79
2	1160802	FLOOR PAN FULL LENGHT RIGHT - 105/115 SPIDER 1970-93	DKK1,244.24
3	1160841	FLOOR PAN REAR LEFT - 105/115 SPIDER 1970-93	DKK1,564.31
4	1160842	FLOOR PAN SPIDER 1970-93 REAR RIGHT	DKK1,564.31
5	1191591	CROSS MEMBER FLOOR PAN LEFT	DKK1,244.24
5	1191592	CROSS MEMBER FLOOR PAN RIGHT	DKK1,244.24
6	1160811	FRONT CHASSIS LEG LEFT FROM 1970 ON, HANGING PEDALS	DKK1,134.73
6	1160812	FRONT CHASSIS LEG RIGHT	DKK1,134.73
7	1160821	FRONT CHASSIS LEG INSERT 1970-93 LEFT	DKK871.74
7	1160822	FRONT CHASSIS LEG INSERT RIGHT	DKK871.74
8	1160761	INNER SILL SPIDER LEFT	DKK1,948.55
8	1160762	INNER SILL SPIDER RIGHT	DKK1,948.55
9	1160731	MIDDLE SILL SPIDER LEFT	DKK1,557.33
9	1160732	MIDDLE SILL SPIDER RIGHT	DKK1,557.33
10	1160701	OUTER SILL SPIDER LEFT	DKK481.27
10	1160702	OUTER SILL SPIDER RIGHT	DKK481.27
11	1190742	INNER A-PILLAR SPIDER INNER RIGHT	DKK774.71
11	1190741	INNER A-PILLAR SPIDER INNER LEFT	DKK774.71
12	1160770	JACKING POINT FRONT	DKK234.02
12	1161310	JACKING POINT SPIDER 1986-93 FRONT	DKK195.66
13	1160791	JACKING POINT SPIDER 1987-93 REAR LEFT	DKK387.40
13	1160792	JACKING POINT SPIDER 1987-93 REAR RIGHT	DKK387.40
13	1160780	JACKING POINT GIULIA / SPIDER 1966-86 REAR	DKK351.36

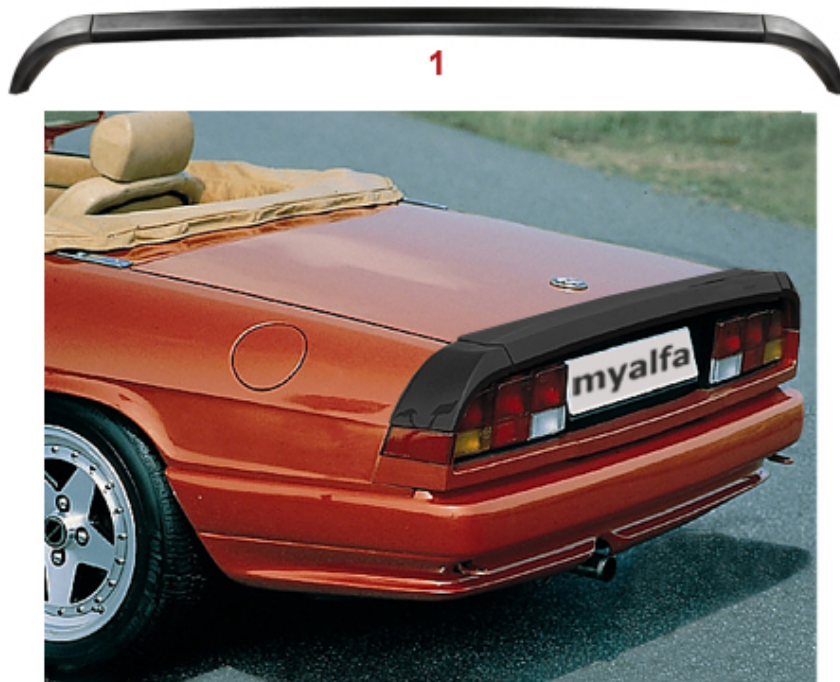


<b>1</b>	<b>1131081</b>	<b>DOOR SPIDER 1970-79, 1750/2000 / 1979-93, 1600 LEFT</b>	<b>DKK5,470.16</b>
<b>1</b>	<b>1131082</b>	<b>DOOR SPIDER 1970-93, 1750-2000 / 1979-93,1600 RIGHT</b>	<b>DKK5,477.15</b>
<b>1</b>	<b>1132961</b>	<b>DOOR SKIN SPIDER 1970-93 LEFT, LATE DOOR HANDLE</b>	<b>DKK2,105.09</b>
<b>1</b>	<b>1132962</b>	<b>DOOR SKIN SPIDER 1970-93 RIGHT, LATE DOOR HANDLE</b>	<b>DKK2,105.09</b>
<b>2</b>	<b>1201801</b>	<b>REPAIR PANEL BOTTOM DOOR SKIN SPIDER LEFT</b>	<b>DKK696.48</b>
<b>2</b>	<b>1201802</b>	<b>REPAIR PANEL BOTTOM DOOR SKIN SPIDER RIGHT</b>	<b>DKK696.48</b>
<b>3</b>	<b>1201101</b>	<b>REPAIR PANEL DOOR BOTTOM SPIDER LEFT</b>	<b>On request</b>
<b>3</b>	<b>1201102</b>	<b>REPAIR PANEL DOOR BOTTOM SPIDER RIGHT</b>	<b>On request</b>
<b>4</b>	<b>1151131</b>	<b>B-PILLAR SPIDER LEFT</b>	<b>On request</b>
<b>4</b>	<b>1151132</b>	<b>B-PILLAR SPIDER RIGHT</b>	<b>On request</b>

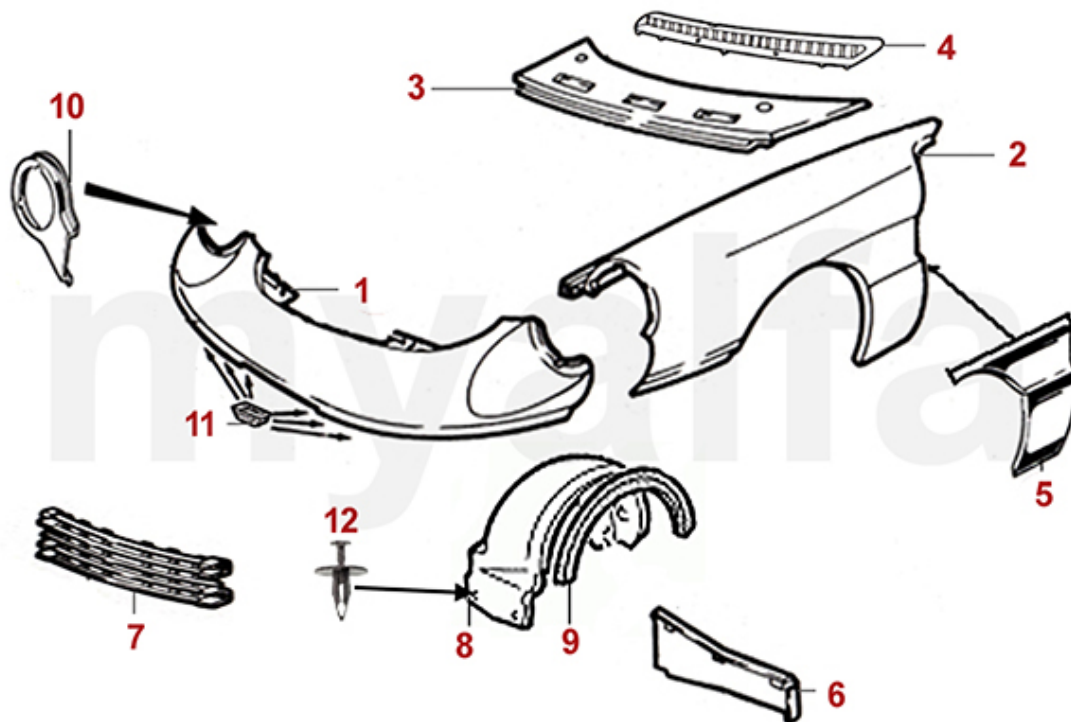


<b>1</b>	<b>1151430</b>	<b>UPPER REAR PANEL SPIDER 1983-89</b>	<b>DKK2,652.85</b>
<b>2</b>	<b>1151440</b>	<b>OUTER REAR VALANCE SPIDER 1983-93</b>	<b>DKK1,091.70</b>
<b>3</b>	<b>1151010</b>	<b>INNER REAR VALANCE SPIDER 1983-93</b>	<b>DKK1,009.48</b>
<b>4</b>	<b>1141421</b>	<b>REAR WING SPIDER 1983-89 LEFT</b>	<b>DKK5,470.16</b>
<b>4</b>	<b>1141422</b>	<b>REAR WING SPIDER 1983-89 RIGHT</b>	<b>DKK5,470.16</b>
<b>5</b>	<b>1191450</b>	<b>REAR SOFT TOP BASE PANEL SPIDER 1970-93</b>	<b>DKK2,269.46</b>
<b>6</b>	<b>1201362</b>	<b>REPAIR PANEL REAR WING SPIDER 1970-89 REAR RIGHT</b>	<b>DKK465.63</b>
<b>6</b>	<b>1201361</b>	<b>REPAIR PANEL REAR WING SPIDER 1970-89 REAR LEFT</b>	<b>DKK465.63</b>
<b>7</b>	<b>1200921</b>	<b>REPAIR PANEL WHEEL ARCH SPIDER REAR LEFT</b>	<b>DKK389.73</b>
<b>7</b>	<b>1200922</b>	<b>REPAIR PANEL WHEEL ARCH SPIDER REAR RIGHT</b>	<b>DKK389.73</b>
<b>8</b>	<b>1201351</b>	<b>REPAIR PANEL REAR WING SPIDER FRONT LEFT</b>	<b>DKK449.98</b>
<b>8</b>	<b>1201352</b>	<b>REPAIR PANEL REAR WING SPIDER FRONT RIGHT</b>	<b>DKK449.98</b>
<b>9</b>	<b>1131840</b>	<b>BOOT LID SPIDER 1983-89</b>	<b>DKK5,047.56</b>
<b>10</b>	<b>1191240</b>	<b>DRAIN HOSE TRUNK / MIDDLE SILL</b>	<b>DKK69.66</b>

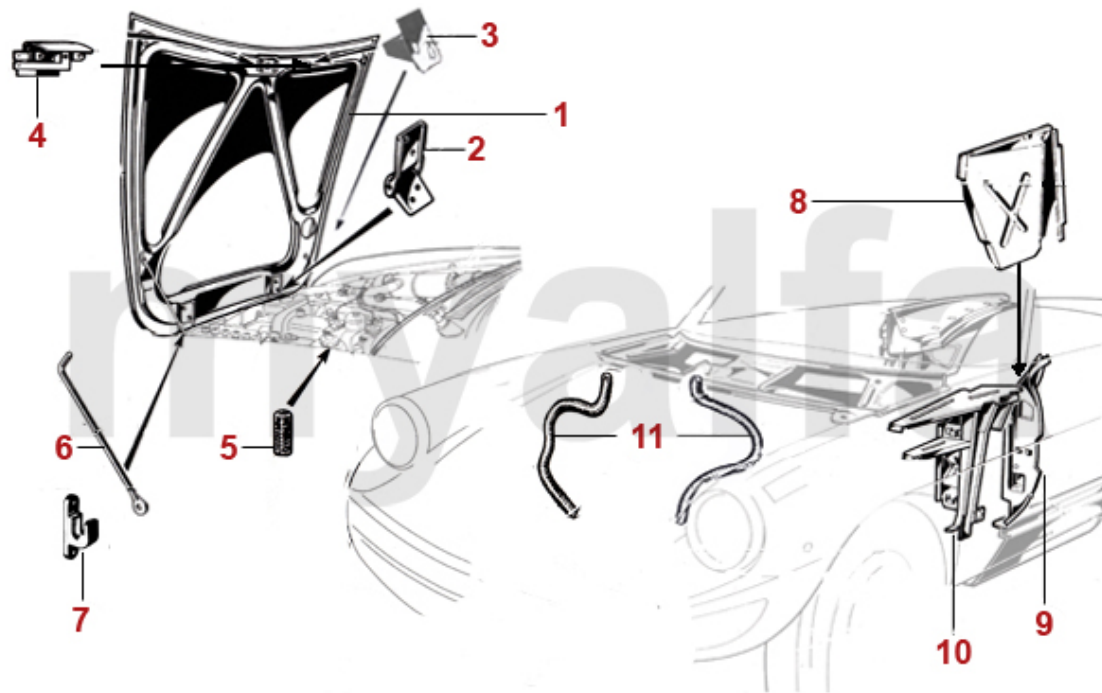
<b>1</b>	<b>1160180</b>	<b>SPARE WHEEL WELL HIGH QUALITY</b>	<b>DKK1,017.30</b>
<b>2</b>	<b>1162830</b>	<b>BOOT FLOOR PANEL SPIDER 1970-93</b>	<b>DKK3,443.30</b>
<b>3</b>	<b>1160961</b>	<b>MIDDLE WHEELARCH SPIDER LEFT</b>	<b>On request</b>
<b>3</b>	<b>1160962</b>	<b>MIDDLE WHEELARCH SPIDER RIGHT</b>	<b>On request</b>
<b>4</b>	<b>1162841</b>	<b>OUTER WHEELARCH SPIDER LEFT 1966-89</b>	<b>DKK1,322.56</b>
<b>4</b>	<b>1162842</b>	<b>OUTER WHEELARCH SPIDER RIGHT 1966-89</b>	<b>DKK1,322.56</b>
<b>5</b>	<b>1191691</b>	<b>REBOUND STRAP MOUNT REPAIR PANEL LEFT</b>	<b>DKK410.87</b>
<b>5</b>	<b>1191692</b>	<b>REBOUND STRAP MOUNT REPAIR PANEL RIGHT</b>	<b>DKK410.87</b>
<b>6</b>	<b>1310060</b>	<b>TOW HOOK GIULIA / GT BERTONE / SPIDER REAR</b>	<b>DKK461.71</b>
<b>7</b>	<b>1170901</b>	<b>FUEL FILLER FLAP FRAME SPIDER</b>	<b>On request</b>
<b>8</b>	<b>1170911</b>	<b>FUEL FILLER FLAP SPIDER</b>	<b>On request</b>
<b>9</b>	<b>1191260</b>	<b>BATTERY TRAY SPIDER TRUNK MOUNTED BATTERY</b>	<b>On request</b>
<b>10</b>	<b>1164230</b>	<b>EXHAUST MOUNT FOR TRUNK FLOOR</b>	<b>DKK148.72</b>
<b>11</b>	<b>1164240</b>	<b>STRENGTHENING PLATE FOR TRUNKFLOOR</b>	<b>DKK383.49</b>
<b>12</b>	<b>1192510</b>	<b>TORSION BAR SET TRUNK LID SPIDER 1970-93</b>	<b>DKK774.71</b>



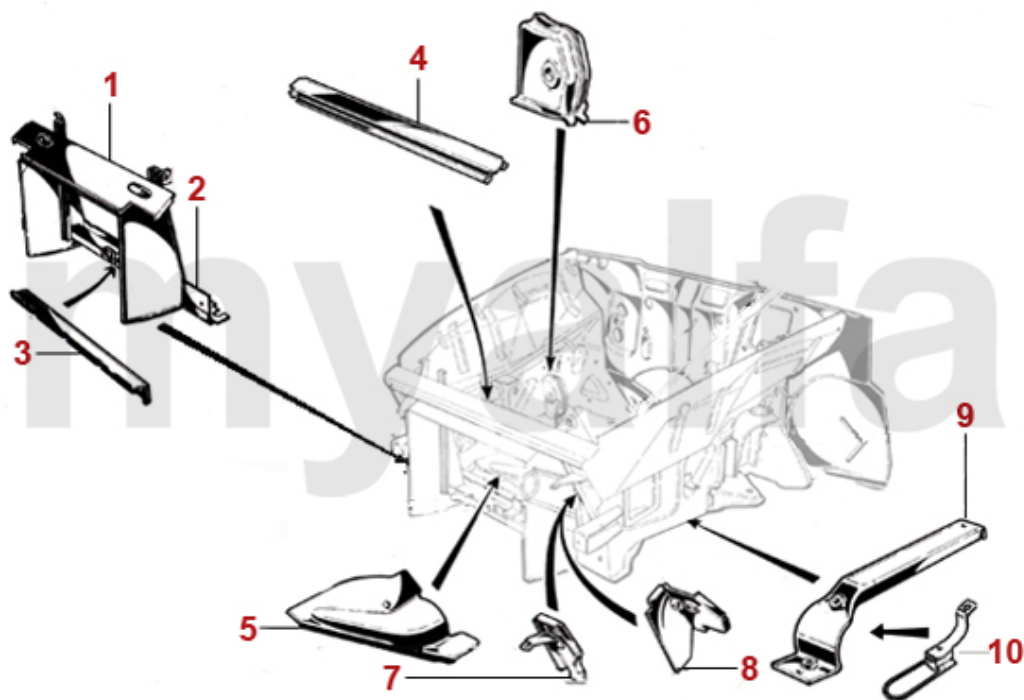
- |          |                |  |                    |
|----------|----------------|--|--------------------|
| <b>1</b> | <b>1371030</b> | <b>REAR SPOILER "ZENDER-STYLE" SPIDER 1983-89</b>    | <b>DKK2,496.40</b> |
| <b>2</b> | <b>1371020</b> | <b>REAR SPOILER SPIDER 1984-89 POLYURETHANE FOAM</b> | <b>DKK2,965.94</b> |



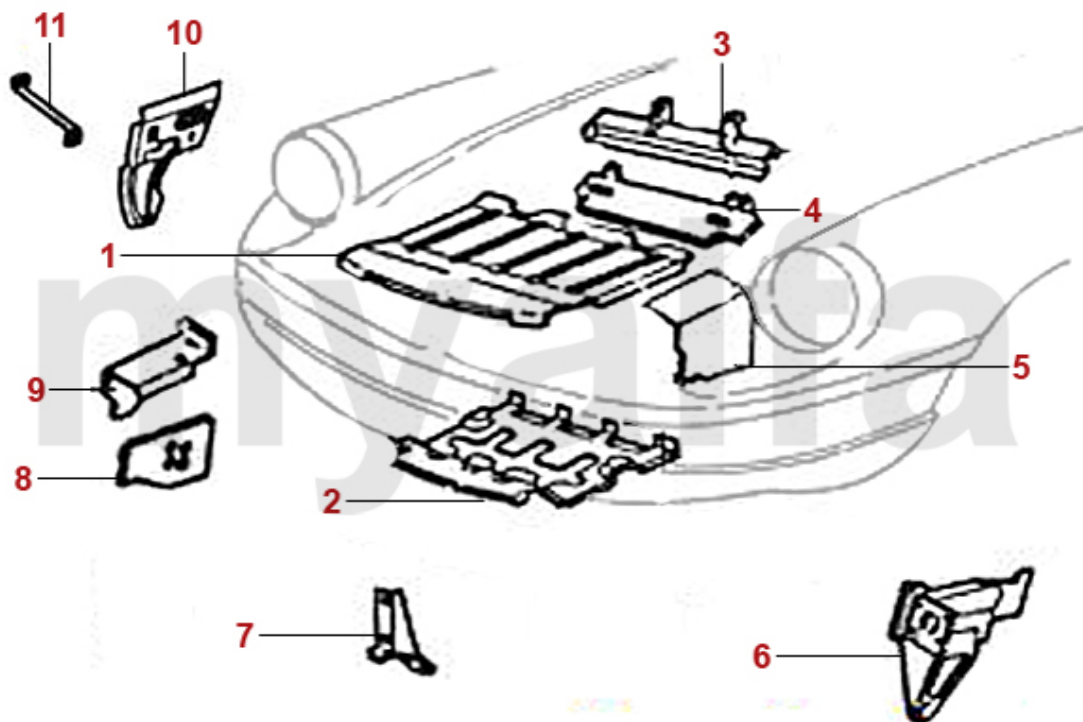
<b>1</b>	<b>1112000</b>	<b>UPPER FRONT PANEL SPIDER 1990-93</b>	<b>DKK1,870.32</b>
<b>2</b>	<b>1121201</b>	<b>FRONT WING SPIDER 1983-93 LEFT</b>	<b>DKK4,068.54</b>
<b>2</b>	<b>1121202</b>	<b>FRONT WING SPIDER 1983-93 RIGHT</b>	<b>DKK4,068.54</b>
<b>3</b>	<b>1190530</b>	<b>SCUTTLE PANEL SPIDER 1981-93 FRONT</b>	<b>DKK1,713.78</b>
<b>5</b>	<b>1201161</b>	<b>REPAIR PANEL FRONT WING SPIDER REAR LEFT</b>	<b>DKK586.13</b>
<b>5</b>	<b>1201162</b>	<b>REPAIR PANEL FRONT WING SPIDER REAR RIGHT</b>	<b>DKK586.13</b>
<b>6</b>	<b>1192131</b>	<b>PANEL SPIDER 1983-93 LEFT</b>	<b>DKK465.63</b>
<b>6</b>	<b>1192132</b>	<b>PANEL SPIDER 1983-93 RIGHT</b>	<b>DKK465.63</b>
<b>7</b>	<b>1191900</b>	<b>SCUTTLE GRID PLASTIC SPIDER 1983-93</b>	<b>On request</b>
<b>8</b>	<b>1191731</b>	<b>SPLASH SHIELD FRONT SPIDER 1990-93 LEFT</b>	<b>On request</b>
<b>8</b>	<b>1191732</b>	<b>SPLASH SHIELD FRONT SPIDER 1990-93 RIGHT</b>	<b>On request</b>
<b>9</b>	<b>1191740</b>	<b>SPLASH SHIELD TO WING SEAL SPIDER 1990-93</b>	<b>On request</b>
<b>10</b>	<b>1110391</b>	<b>HEADLIGHT SUPPORT PANEL SPIDER LEFT</b>	<b>DKK696.48</b>
<b>10</b>	<b>1110392</b>	<b>HEADLIGHT SUPPORT PANEL SPIDER RIGHT</b>	<b>DKK696.48</b>
<b>11</b>	<b>1371260</b>	<b>SPACER (3 PCS) FRONT PANEL / BUMPER SPIDER 1983-93</b>	<b>DKK69.66</b>
<b>12</b>	<b>1792500</b>	<b>BODY BOUND RIVET (5 PC) SPIDER1990-93, FRONT WHEELHOUSE AND TRUNK CARPET</b>	<b>DKK140.06</b>



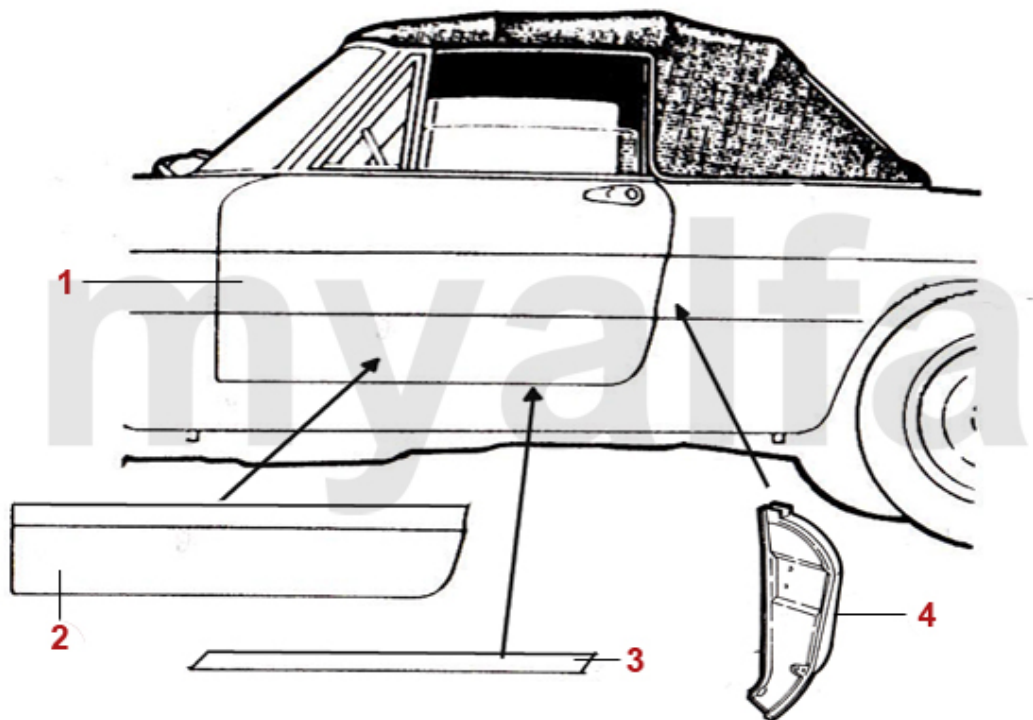
<b>1</b>	<b>1130490</b>	<b>BONNET SPIDER</b>	<b>DKK5,282.33</b>
<b>2</b>	<b>1130500</b>	<b>BONNET HINGE SPIDER</b>	<b>DKK426.51</b>
<b>3</b>	<b>1372410</b>	<b>BONNET HINGE SUPPORT SPIDER</b>	<b>DKK199.57</b>
<b>4</b>	<b>1570140</b>	<b>LIGHT UNDER BONNET/TRUNK/ GLOVE BOX</b>	<b>DKK132.24</b>
<b>5</b>	<b>1630560</b>	<b>BONNET STOP (SET) GT BERTONE / SPIDER</b>	<b>DKK93.13</b>
<b>6</b>	<b>1192430</b>	<b>BONNET SUPPORT SPIDER</b>	<b>DKK352.11</b>
<b>7</b>	<b>1371900</b>	<b>BONNET STICK SUPPORT 105/115</b>	<b>DKK77.48</b>
<b>8</b>	<b>1191301</b>	<b>INNER A-PILLAR SHUT PANEL SPIDER LEFT</b>	<b>On request</b>
<b>8</b>	<b>1191302</b>	<b>INNER A-PILLAR SHUT PANEL SPIDER RIGHT</b>	<b>On request</b>
<b>9</b>	<b>1191122</b>	<b>OUTER A-PILLAR SHUT PANEL SPIDER RIGHT</b>	<b>DKK1,776.45</b>
<b>9</b>	<b>1191121</b>	<b>OUTER A-PILLAR SHUT PANEL SPIDER LEFT</b>	<b>DKK1,776.45</b>
<b>10</b>	<b>1191111</b>	<b>A-PILLAR SPIDER LEFT</b>	<b>DKK3,122.48</b>
<b>10</b>	<b>1191112</b>	<b>A-PILLAR SPIDER RIGHT</b>	<b>DKK3,122.48</b>
<b>11</b>	<b>1191160</b>	<b>SCUTTLE DRAIN HOSE SPIDER 1970-93</b>	<b>DKK149.47</b>



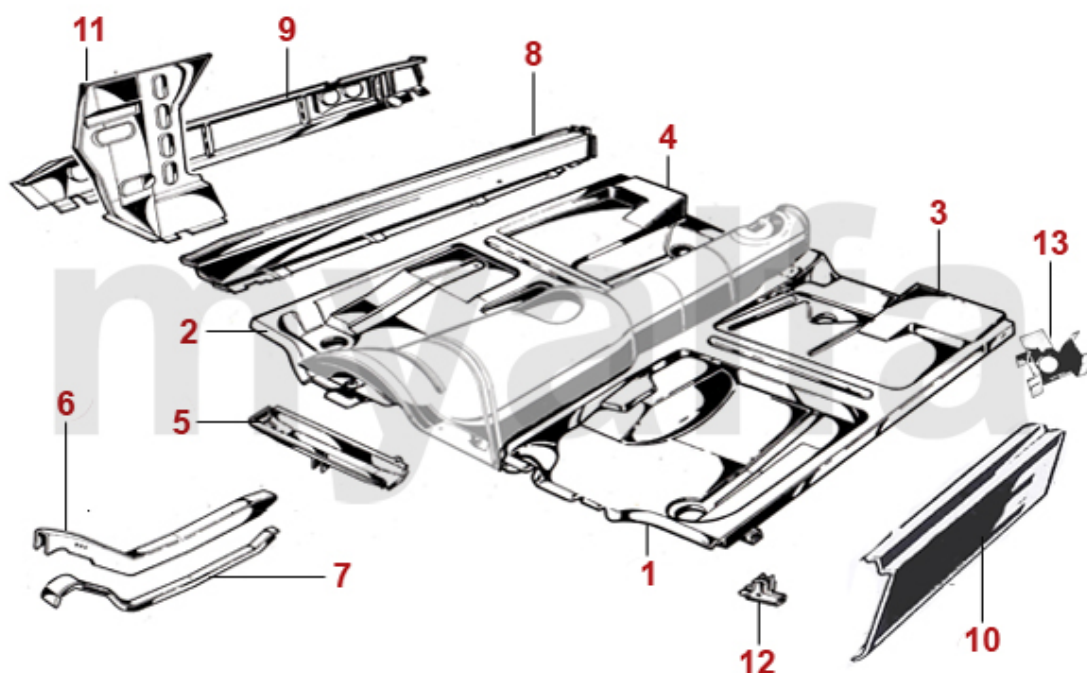
<b>1</b>	<b>1190540</b>	<b>RADIATOR FRAME SPIDER</b>	<b>DKK2,230.34</b>
<b>2</b>	<b>1112210</b>	<b>RADIATOR CROSS-MEMBER 1968-93 FRONT PART</b>	<b>DKK430.42</b>
<b>3</b>	<b>1110600</b>	<b>RADIATOR CROSS-MEMBER 1968-93 REAR PART</b>	<b>DKK508.65</b>
<b>4</b>	<b>1112240</b>	<b>UPPER TRANSVERSE PANEL SPIDER</b>	<b>DKK508.65</b>
<b>5</b>	<b>1190661</b>	<b>FLITCH PANEL LEFT</b>	<b>DKK853.03</b>
<b>5</b>	<b>1190662</b>	<b>FLITCH PANEL RIGHT</b>	<b>DKK853.03</b>
<b>6</b>	<b>5410680</b>	<b>TOP SUSPENSION ARM INNER MOUNT</b>	<b>DKK521.97</b>
<b>7</b>	<b>1190641</b>	<b>SHUT PANEL FRONT LEFT</b>	<b>DKK363.93</b>
<b>7</b>	<b>1190642</b>	<b>SHUT PANEL FRONT RIGHT</b>	<b>DKK363.93</b>
<b>8</b>	<b>1190652</b>	<b>SHUT PANEL REAR RIGHT</b>	<b>DKK508.93</b>
<b>8</b>	<b>1190651</b>	<b>SHUT PANEL REAR LEFT</b>	<b>DKK508.93</b>
<b>9</b>	<b>1191551</b>	<b>FRONT ANTI-ROLL BAR MOUNTING BRACKET LEFT</b>	<b>DKK312.25</b>
<b>9</b>	<b>1191552</b>	<b>FRONT ANTI-ROLL BAR MOUNTING BRACKET RIGHT</b>	<b>DKK312.25</b>
<b>10</b>	<b>1311050</b>	<b>FRONT TOW HOOK</b>	<b>DKK507.90</b>



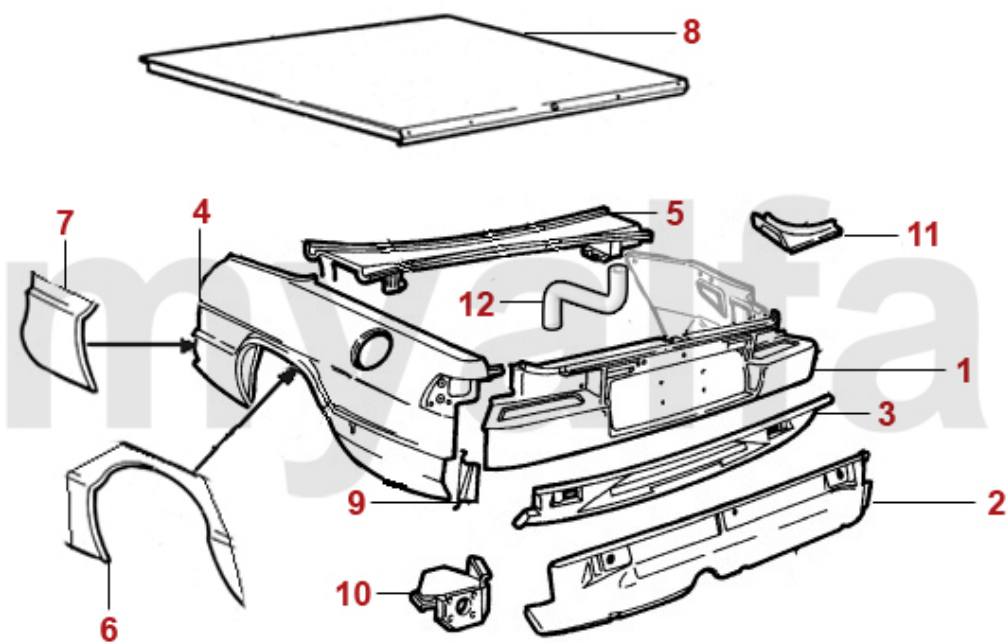
1	1191870	UPPER DEFLECTOR PANEL SPIDER SPIDER 1983-89	DKK696.48
2	1192500	UPPER DEFLECTOR PANEL SPIDER 1990-93	DKK469.54
3	1112240	UPPER TRANSVERSE PANEL SPIDER	DKK508.65
4	1112250	CONNECT PANEL SPIDER 1990-93 FRONT	DKK390.47
5	1192521	UPPER LEFT DEFLECTOR PANEL SPIDER 1990-93	On request
6	1311851	BUMPER SUPPORT SPIDER 1983-93 FRONT LEFT	On request
6	1311852	BUMPER SUPPORT SPIDER 1983-93 FRONT RIGHT	On request
7	1372510	RADIATER GRID SUPPORT SPIDER 1990-93	On request
8	1192531	DEFLECTOR PANEL SPIDER 1990-93 LEFT	On request
8	1192532	DEFLECTOR PANEL SPIDER 1990-93 RIGHT	On request
9	1192522	UPPER RIGHT DEFLECTOR PANEL SPIDER 1990-93	DKK305.17
10	1192121	PANEL SPIDER 1990-93 FRONT LEFT	DKK363.93
10	1192122	PANEL SPIDER 1990-93 FRONT RIGHT	DKK363.93
11	1192141	PANEL SPIDER 1990-93 FRONT LEFT	On request
11	1192142	PANEL SPIDER 1990-93 FRONT RIGHT	On request



<b>1</b>	<b>1131081</b>	<b>DOOR SPIDER 1970-79, 1750/2000 / 1979-93, 1600 LEFT</b>	<b>DKK5,470.16</b>
<b>1</b>	<b>1131082</b>	<b>DOOR SPIDER 1970-93, 1750-2000 / 1979-93,1600 RIGHT</b>	<b>DKK5,477.15</b>
<b>1</b>	<b>1132961</b>	<b>DOOR SKIN SPIDER 1970-93 LEFT, LATE DOOR HANDLE</b>	<b>DKK2,105.09</b>
<b>1</b>	<b>1132962</b>	<b>DOOR SKIN SPIDER 1970-93 RIGHT, LATE DOOR HANDLE</b>	<b>DKK2,105.09</b>
<b>2</b>	<b>1201801</b>	<b>REPAIR PANEL BOTTOM DOOR SKIN SPIDER LEFT</b>	<b>DKK696.48</b>
<b>2</b>	<b>1201802</b>	<b>REPAIR PANEL BOTTOM DOOR SKIN SPIDER RIGHT</b>	<b>DKK696.48</b>
<b>3</b>	<b>1201101</b>	<b>REPAIR PANEL DOOR BOTTOM SPIDER LEFT</b>	<b>On request</b>
<b>3</b>	<b>1201102</b>	<b>REPAIR PANEL DOOR BOTTOM SPIDER RIGHT</b>	<b>On request</b>
<b>4</b>	<b>1151131</b>	<b>B-PILLAR SPIDER LEFT</b>	<b>On request</b>
<b>4</b>	<b>1151132</b>	<b>B-PILLAR SPIDER RIGHT</b>	<b>On request</b>

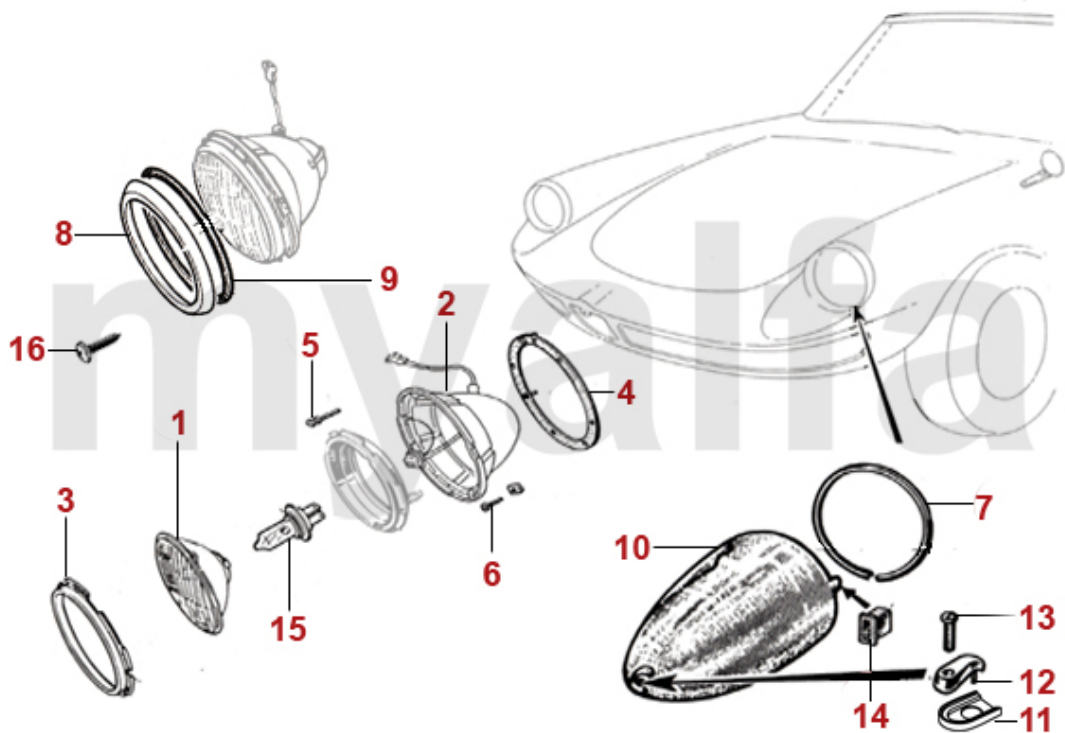


1	1162011	FLOOR PAN FRONT LEFT - 105/115 TOP MOUNTED PEDALBOX	DKK1,400.79
1	1160801	FLOOR PAN FULL LENGHT LEFT - 105/115 SPIDER 1970-93	DKK1,244.24
2	1162012	FLOOR PAN FRONT RIGHT - 105/115 LHD	DKK1,400.79
2	1160802	FLOOR PAN FULL LENGHT RIGHT - 105/115 SPIDER 1970-93	DKK1,244.24
3	1160841	FLOOR PAN REAR LEFT - 105/115 SPIDER 1970-93	DKK1,564.31
4	1160842	FLOOR PAN SPIDER 1970-93 REAR RIGHT	DKK1,564.31
5	1191591	CROSS MEMBER FLOOR PAN LEFT	DKK1,244.24
5	1191592	CROSS MEMBER FLOOR PAN RIGHT	DKK1,244.24
6	1160811	FRONT CHASSIS LEG LEFT FROM 1970 ON, HANGING PEDALS	DKK1,134.73
6	1160812	FRONT CHASSIS LEG RIGHT	DKK1,134.73
7	1160821	FRONT CHASSIS LEG INSERT 1970-93 LEFT	DKK871.74
7	1160822	FRONT CHASSIS LEG INSERT RIGHT	DKK871.74
8	1160761	INNER SILL SPIDER LEFT	DKK1,948.55
8	1160762	INNER SILL SPIDER RIGHT	DKK1,948.55
9	1160731	MIDDLE SILL SPIDER LEFT	DKK1,557.33
9	1160732	MIDDLE SILL SPIDER RIGHT	DKK1,557.33
10	1160701	OUTER SILL SPIDER LEFT	DKK481.27
10	1160702	OUTER SILL SPIDER RIGHT	DKK481.27
11	1190742	INNER A-PILLAR SPIDER INNER RIGHT	DKK774.71
11	1190741	INNER A-PILLAR SPIDER INNER LEFT	DKK774.71
12	1161310	JACKING POINT SPIDER 1986-93 FRONT	DKK195.66
13	1160791	JACKING POINT SPIDER 1987-93 REAR LEFT	DKK387.40
13	1160792	JACKING POINT SPIDER 1987-93 REAR RIGHT	DKK387.40

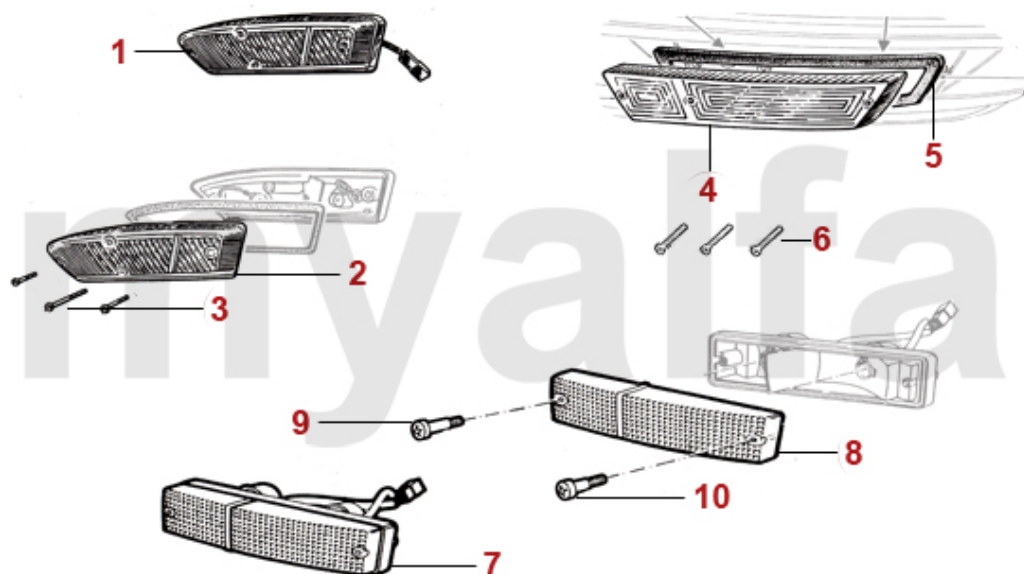


<b>1</b>	<b>1152030</b>	<b>UPPER REAR PANEL SPIDER 1990-93</b>	<b>DKK3,044.16</b>
<b>2</b>	<b>1151440</b>	<b>OUTER REAR VALANCE SPIDER 1983-93</b>	<b>DKK1,091.70</b>
<b>3</b>	<b>1151010</b>	<b>INNER REAR VALANCE SPIDER 1983-93</b>	<b>DKK1,009.48</b>
<b>4</b>	<b>1141991</b>	<b>REAR WING SPIDER 1990-93 LEFT</b>	<b>On request</b>
<b>4</b>	<b>1141992</b>	<b>REAR WING SPIDER 1990-93 RIGHT</b>	<b>On request</b>
<b>5</b>	<b>1191450</b>	<b>REAR SOFT TOP BASE PANEL SPIDER 1970-93</b>	<b>DKK2,269.46</b>
<b>6</b>	<b>1200921</b>	<b>REPAIR PANEL WHEEL ARCH SPIDER REAR LEFT</b>	<b>DKK389.73</b>
<b>6</b>	<b>1200922</b>	<b>REPAIR PANEL WHEEL ARCH SPIDER REAR RIGHT</b>	<b>DKK389.73</b>
<b>7</b>	<b>1201351</b>	<b>REPAIR PANEL REAR WING SPIDER FRONT LEFT</b>	<b>DKK449.98</b>
<b>7</b>	<b>1201352</b>	<b>REPAIR PANEL REAR WING SPIDER FRONT RIGHT</b>	<b>DKK449.98</b>
<b>8</b>	<b>1131960</b>	<b>BOOT LID SPIDER 1990-93</b>	<b>On request</b>
<b>9</b>	<b>1192171</b>	<b>LOWER PANEL TO REAR PANEL SPIDER 1990-93 LEFT</b>	<b>On request</b>
<b>9</b>	<b>1192172</b>	<b>LOWER PANEL TO REAR PANEL SPIDER 1990-93 RIGHT</b>	<b>On request</b>
<b>10</b>	<b>1312161</b>	<b>BUMPER SUPPORT SPIDER 1990-93 REAR LEFT</b>	<b>On request</b>
<b>10</b>	<b>1312162</b>	<b>BUMPER SUPPORT SPIDER 1990-93 REAR RIGHT</b>	<b>On request</b>
<b>11</b>	<b>1192151</b>	<b>UPPER PANEL TO REAR PANEL SPIDER 1990-93 LEFT</b>	<b>DKK514.14</b>
<b>11</b>	<b>1192152</b>	<b>UPPER PANEL TO REAR PANEL SPIDER 1990-93 oben RIGHT</b>	<b>On request</b>
<b>12</b>	<b>1191240</b>	<b>DRAIN HOSE TRUNK / MIDDLE SILL</b>	<b>DKK69.66</b>

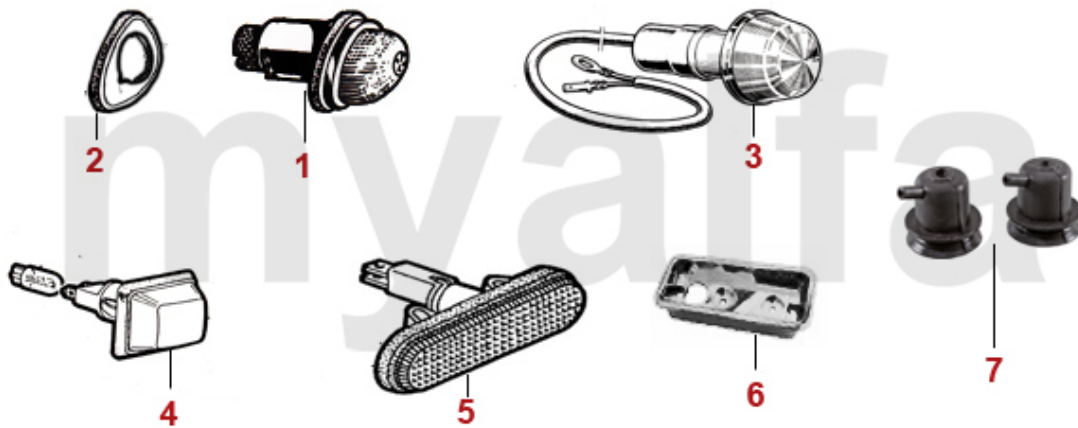
<b>1</b>	<b>1160180</b>	<b>SPARE WHEEL WELL HIGH QUALITY</b>	<b>DKK1,017.30</b>
<b>2</b>	<b>1162830</b>	<b>BOOT FLOOR PANEL SPIDER 1970-93</b>	<b>DKK3,443.30</b>
<b>3</b>	<b>1160961</b>	<b>MIDDLE WHEELARCH SPIDER LEFT</b>	<b>On request</b>
<b>3</b>	<b>1160962</b>	<b>MIDDLE WHEELARCH SPIDER RIGHT</b>	<b>On request</b>
<b>4</b>	<b>1162841</b>	<b>OUTER WHEELARCH SPIDER LEFT 1966-89</b>	<b>DKK1,322.56</b>
<b>4</b>	<b>1162842</b>	<b>OUTER WHEELARCH SPIDER RIGHT 1966-89</b>	<b>DKK1,322.56</b>
<b>5</b>	<b>1191691</b>	<b>REBOUND STRAP MOUNT REPAIR PANEL LEFT</b>	<b>DKK410.87</b>
<b>5</b>	<b>1191692</b>	<b>REBOUND STRAP MOUNT REPAIR PANEL RIGHT</b>	<b>DKK410.87</b>
<b>6</b>	<b>1310060</b>	<b>TOW HOOK GIULIA / GT BERTONE / SPIDER REAR</b>	<b>DKK461.71</b>
<b>7</b>	<b>1170901</b>	<b>FUEL FILLER FLAP FRAME SPIDER</b>	<b>On request</b>
<b>8</b>	<b>1170911</b>	<b>FUEL FILLER FLAP SPIDER</b>	<b>On request</b>
<b>9</b>	<b>1191260</b>	<b>BATTERY TRAY SPIDER TRUNK MOUNTED BATTERY</b>	<b>On request</b>
<b>10</b>	<b>1164230</b>	<b>EXHAUST MOUNT FOR TRUNK FLOOR</b>	<b>DKK148.72</b>
<b>11</b>	<b>1164240</b>	<b>STRENGTHENING PLATE FOR TRUNKFLOOR</b>	<b>DKK383.49</b>
<b>12</b>	<b>1192510</b>	<b>TORSION BAR SET TRUNK LID SPIDER 1970-93</b>	<b>DKK774.71</b>



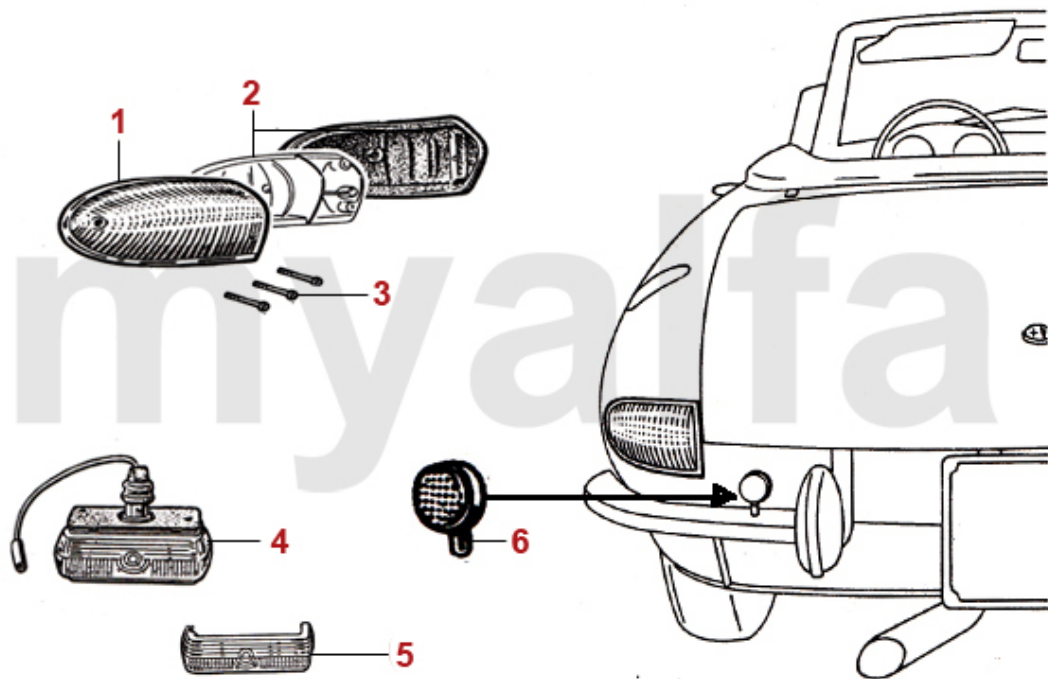
1	1510370	HEADLIGHT H4 7" PLANE GLASS (170mm) 3-LATCHES MOUNTING	DKK155.71
1	1511940	HEADLIGHT DESIGN CARELLO H4 7" (170mm) "LEFT HAND TRAFFIC" 3-LATCHES MOUNTING	DKK390.47
1	1510350	HEADLIGHT DESIGN CARELLO H4 7" (170mm) 3-LATCHES MOUNTING	DKK281.70
1	1511190	HEADLIGHT CARELLO BILUX 7" (170mm) 3-LATCHES MOUNTING	DKK774.71
1	1511200	HEADLIGHT CARELLO H4 7" (170mm) 3-LATCHES MOUNTING	DKK305.17
2	1581960	HEADLIGHT BOWL GT BERTONE 1962-67/ SPIDER 1966-89 WITHOUT HEADLAMP LEVELING	DKK383.49
2	1581900	HEADLIGHT BOWL 7" (170MM) THIN HEADLIGHT TRIM RING 3-LATCHES MOUNTING	DKK938.33
3	1580630	HEADLIGHT RETAINING RING 7" (170MM)	DKK180.01
4	1581150	RUBBER SEAL HEADLIGHT BOWL 7"	DKK108.77
5	1581410	HEADLIGHT ADJUSTER SCREW	DKK38.37
6	1590030	MOUNTING KIT HEADLIGHT BOWL SPIDER	DKK23.47
7	1330690	HEADLIGHT RING SPIDER SMALL	DKK130.65
8	1331761	OUTER HEADLIGHT RING SPIDER STAINLESS STEEL LEFT	DKK515.73
8	1331762	OUTER HEADLIGHT RING SPIDER STAINLESS STEEL RIGHT	DKK515.73
9	1620910	RUBBER WELTING HEADLIGHT CHROME RING SPIDER	DKK45.35
10	1590411	PERSPEX HEADLIGHT COVER SPIDER LEFT	DKK532.12
10	1590412	PERSPEX HEADLIGHT COVER SPIDER RIGHT	DKK532.12
11	1581810	SET RUBBER PADS FOR HOOK HEADLAMP COVER SPIDER	DKK66.49
12	1591820	CHROME HOOK HEADLIGHT COVER SPIDER	DKK46.56
13	1591830	CHROME SCREW FOR HOOK HEADLIGHT COVER SPIDER	DKK54.01
14	1590440	PLASTIC CLIP HEADLIGHT (SET 4PC) COVER SPIDER	DKK82.14
15	1590940	BULB 12 V / H4	DKK47.77
16	1331770	STAINLESS STEEL SCREW FOR HEADLIGHT RING	DKK19.56
17	1630130	GROMMET FOR CABLE HEADLIGHT INSET (SET) 105/115	DKK297.35



<b>1</b>	<b>1540461</b>	<b>INDICATOR SPIDER 1966-69 ORANGE/WHITE FRONT LEFT</b>	<b>DKK1,525.20</b>
<b>1</b>	<b>1540471</b>	<b>INDICATOR SPIDER 1966-69 WHITE/WHITE FRONT LEFT</b>	<b>DKK1,479.01</b>
<b>1</b>	<b>1540462</b>	<b>INDICATOR SPIDER 1966-69 ORANGE/WHITE FRONT RIGHT</b>	<b>DKK1,525.20</b>
<b>1</b>	<b>1540472</b>	<b>INDICATOR SPIDER 1966-69 WHITE/WHITE FRONT RIGHT</b>	<b>DKK1,479.01</b>
<b>2</b>	<b>1580471</b>	<b>INDICATOR LENSE SPIDER 1966-69 ORANGE/WHITE FRONT LEFT</b>	<b>DKK1,134.73</b>
<b>2</b>	<b>1580472</b>	<b>INDICATOR LENSE SPIDER 1966-69 ORANGE/WHITE FRONT RIGHT</b>	<b>DKK1,134.73</b>
<b>2</b>	<b>1580481</b>	<b>INDICATOR LENSE SPIDER 1966-69 WHITE/WHITE FRONT LEFT</b>	<b>DKK1,244.24</b>
<b>2</b>	<b>1580482</b>	<b>INDICATOR LENSE SPIDER 1966-69 WHITE/WHITE FRONT RIGHT</b>	<b>DKK1,244.24</b>
<b>3</b>	<b>1591690</b>	<b>SCREW SET INDICATOR LENSE SPIDER 1966-69 FRONT</b>	<b>DKK66.49</b>
<b>4</b>	<b>1580491</b>	<b>INDICATOR LENSE SPIDER 1970-82 ORANGE/WHITE FRONT LEFT</b>	<b>DKK410.87</b>
<b>4</b>	<b>1580492</b>	<b>INDICATOR LENSE SPIDER 1970-82 ORANGE/WHITE FRONT RIGHT</b>	<b>DKK410.87</b>
<b>4</b>	<b>1581430</b>	<b>SET INDICATOR LENSES SPIDER 1970-82 WHITE/WHITE FRONT</b>	<b>DKK931.25</b>
<b>5</b>	<b>1591180</b>	<b>SEAL INDICATOR LENSE SPIDER 1970-82 FRONT</b>	<b>DKK114.26</b>
<b>6</b>	<b>1591730</b>	<b>SCREW SET FOR FRONT INDICATOR GLASS SPIDER 1970-1982</b>	<b>DKK58.67</b>
<b>7</b>	<b>1540761</b>	<b>INDICATOR SPIDER 1983-93 FRONT LEFT</b>	<b>DKK665.19</b>
<b>7</b>	<b>1540762</b>	<b>INDICATOR SPIDER 1983-93 FRONT RIGHT</b>	<b>DKK665.19</b>
<b>8</b>	<b>1580771</b>	<b>INDICATOR LENSE SPIDER 1983-93 FRONT LEFT</b>	<b>DKK226.95</b>
<b>8</b>	<b>1580772</b>	<b>INDICATOR LENSE SPIDER 1983-93 FRONT RIGHT</b>	<b>DKK226.95</b>
<b>9</b>	<b>1591390</b>	<b>SCREW INDICATOR LENSE SPIDER 1983-93 WHITE FRONT</b>	<b>DKK27.38</b>
<b>10</b>	<b>1591400</b>	<b>SCREW INDICATOR LENSE SPIDER 1983-93 ORANGE FRONT</b>	<b>DKK27.38</b>

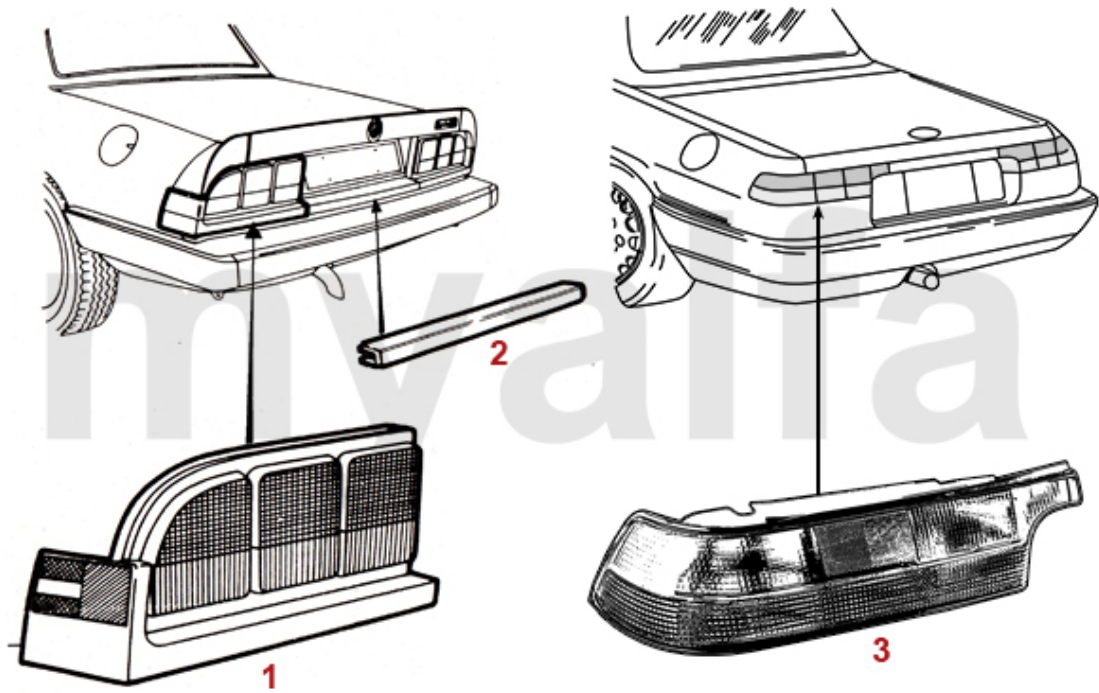


<b>1</b>	<b>1550720</b>	<b>INDICATOR REPEATER DROPLET FORM ORIGINAL DESIGN</b>	<b>DKK618.26</b>
<b>2</b>	<b>1592520</b>	<b>SET RUBBER PADS FOR SIDEINDICATOR SPIDER DROPLET FORM</b>	<b>DKK160.45</b>
<b>3</b>	<b>1550510</b>	<b>INDICATOR REPEATOR GT BERTONE / SPIDER ROUND</b>	<b>DKK147.88</b>
<b>4</b>	<b>1550830</b>	<b>OE.60518107 SIDE INDICATOR SPIDER 1983-89</b>	<b>DKK154.96</b>
<b>5</b>	<b>1551160</b>	<b>INDICATOR REPEATOR SPIDER 1990-93 OVAL</b>	<b>DKK273.88</b>
<b>6</b>	<b>1590503</b>	<b>CHROME FRAME INDICATOR REPEATOR US SPIDER 1970-82 REAR LEFT</b>	<b>DKK364.68</b>
<b>6</b>	<b>1590504</b>	<b>CHROME FRAME INDICATOR REPEATOR US SPIDER 1970-82 REAR RIGHT</b>	<b>DKK364.68</b>
<b>6</b>	<b>1590501</b>	<b>CHROME FRAME INDICATOR REPEATOR US SPIDER 1970-82 FRONT LEFT</b>	<b>DKK364.68</b>
<b>6</b>	<b>1590502</b>	<b>CHROME FRAME INDICATOR REPEATOR US SPIDER 1970-82 FRONT RIGHT</b>	<b>DKK364.68</b>
<b>7</b>	<b>1592530</b>	<b>SET RUBBER SLEEVES FOR SIDE INDICATOR SPIDER - DROP SHAPE</b>	<b>DKK250.41</b>

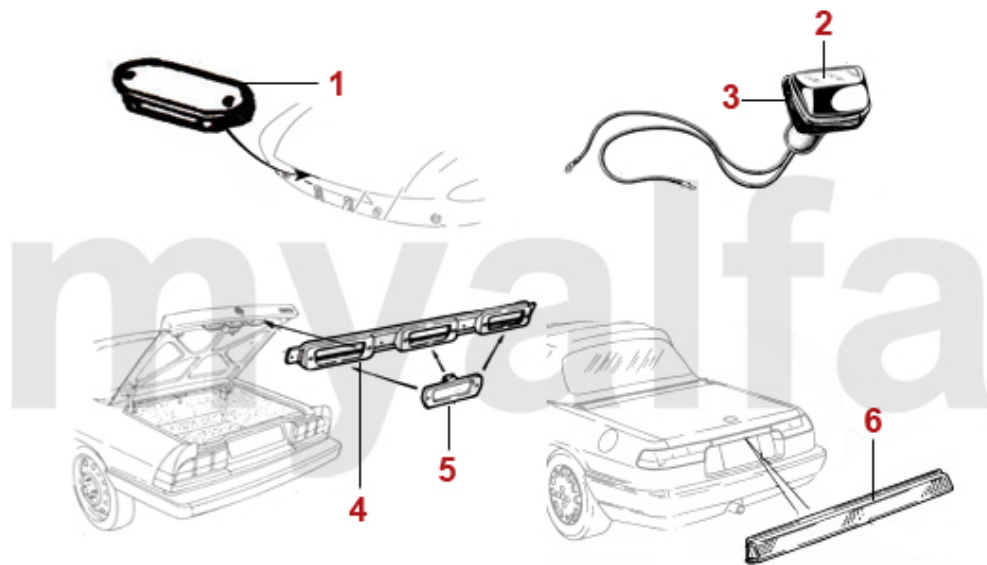


<b>1</b>	<b>1582041</b>	<b>REAR LIGHT LENSE SPIDER 1966-69 RED/RED LEFT US-Version</b>	<b>DKK1,322.56</b>
<b>1</b>	<b>1582042</b>	<b>REAR LIGHT LENSE SPIDER 1966-69 RED/RED RIGHT US-Version</b>	<b>DKK1,322.56</b>
<b>1</b>	<b>1580571</b>	<b>REAR LIGHT LENSE SPIDER 1966-69 LEFT</b>	<b>DKK1,244.24</b>
<b>1</b>	<b>1580572</b>	<b>REAR LIGHT LENSE SPIDER 1966-69 RIGHT</b>	<b>DKK1,244.24</b>
<b>2</b>	<b>1530541</b>	<b>REAR LIGHT BACKING SPIDER 1966-69 LEFT</b>	<b>DKK1,322.56</b>
<b>2</b>	<b>1530542</b>	<b>REAR LIGHT BACKING SPIDER 1966-69 RIGHT</b>	<b>DKK1,322.56</b>
<b>3</b>	<b>1591670</b>	<b>SCREW SET REAR LIGHT LENSE SPIDER 1966-69</b>	<b>DKK61.84</b>
<b>4</b>	<b>1530580</b>	<b>REVERSING LIGHT SPIDER 1966-69</b>	<b>DKK2,339.86</b>
<b>5</b>	<b>1581200</b>	<b>REVERS LIGHT LENSE SPIDER 1966-69</b>	<b>DKK489.09</b>
<b>6</b>	<b>1590590</b>	<b>REFLECTOR SPIDER 1966-69 WITH BASE</b>	<b>DKK410.87</b>

1	1531371	REAR LIGHT SPIDER 1970-82 LEFT REPRODUCTION	DKK1,792.10
1	1531372	REAR LIGHT SPIDER 1970-82 RIGHT REPRODUCTION	DKK1,792.10
1	1530520	REAR LIGHT SET SPIDER 1970-82 ORIGINAL ALTISSIMO	DKK5,086.67
2	1591340	SET INDICATOR LENSES US SPIDER 1970-82 RED	DKK1,009.48
2	1580562	INDICATOR LENSE SPIDER 1970-82 REPRODUCTION REAR RIGHT	DKK257.49
2	1580561	INDICATOR LENSE SPIDER 1970-82 REPRODUCTION REAR LEFT	DKK257.49
2	1581931	INDICATOR LENSE SPIDER 1970-82 ORIGINAL ALTISSIMO REAR LEFT	DKK508.65
2	1581932	INDICATOR LENSE SPIDER 1970-82 ORIGINAL ALTISSIMO REAR RIGHT	DKK508.65
3	1581921	REAR LIGHT LENSE SPIDER 1970-82 ORIGINAL ALTISSIMO LEFT	DKK508.65
3	1581922	REAR LIGHT LENSE SPIDER 1970-82 ORIGINAL ALTISSIMO RIGHT	DKK508.65
3	1580551	REAR LIGHT LENSE SPIDER 1970-82 REPRODUCTION LEFT	DKK234.02
3	1580552	REAR LIGHT LENSE SPIDER 1970-82 REPRODUCTION RIGHT	DKK234.02
4	1581911	REVERSING LIGHT LENSE SPIDER 1970-82 ORIGINAL ALTISSIMO LEFT	DKK335.72
4	1581912	REVERSING LIGHT LENSE SPIDER 1970-82 ORIGINAL ALTISSIMO RIGHT	DKK335.72
4	1580541	REVERSING LIGHT LENSE SPIDER 1970-82 LEFT REPRODUCTION	DKK203.48
4	1580542	REVERSING LIGHT LENSE SPIDER 1970-82 RIGHT REPRODUCTION	DKK203.48
5	1590780	SET RUBBER SEALS BODY/ REAR LIGHT SPIDER 1970-82	DKK312.25
6	1590790	SEAL FOR REAR LIGHT LENSES SPIDER 1970-82	DKK176.10



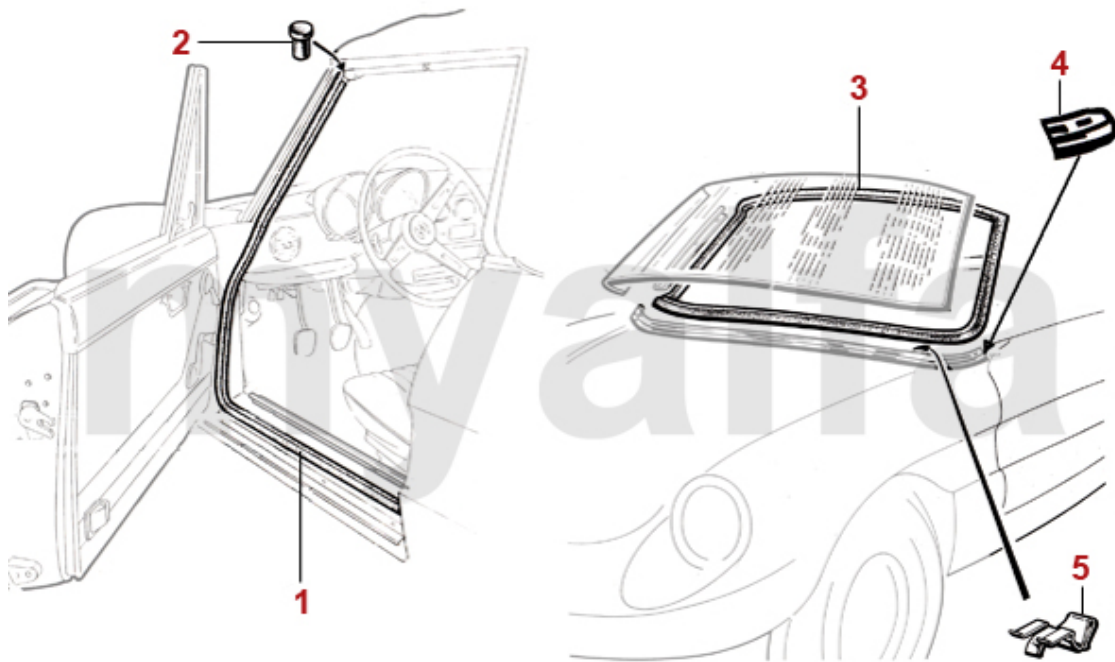
<b>1</b>	<b>1530800</b>	<b>SET REAR LIGHTS SPIDER 1983-89</b>	<b>DKK3,897.19</b>
<b>2</b>	<b>1590910</b>	<b>TRIM BETWEEN THE REAR LIGHTS SPIDER 1983-90</b>	<b>DKK461.71</b>
<b>3</b>	<b>1530920</b>	<b>SET REAR LIGHTS SPIDER 1990-93</b>	<b>DKK4,687.54</b>
<b>3</b>	<b>1530930</b>	<b>SET REAR LIGHTS SPIDER 1990-93 USA</b>	<b>DKK5,086.67</b>



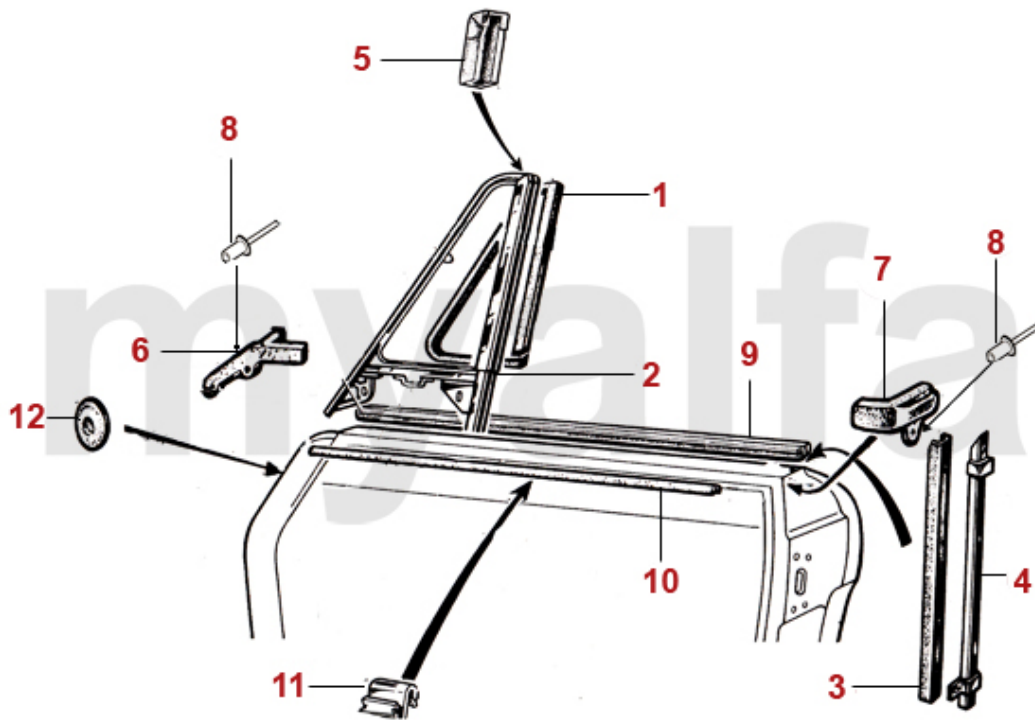
<b>1</b>	<b>1560610</b>	<b>NUMBERPLATE LIGHT SPIDER 1966-69</b>	<b>DKK1,087.79</b>
<b>2</b>	<b>1560170</b>	<b>NUMBER PLATE LIGHT 1970-82 V2A "POLISHED"</b>	<b>DKK304.43</b>
<b>3</b>	<b>1590170</b>	<b>RUBBER SEAL FOR NUMBER PLATE LAMP</b>	<b>DKK46.56</b>
<b>4</b>	<b>1590810</b>	<b>NUMBER PLATE LIGHTS SUPPORT SPIDER 1983-89</b>	<b>DKK273.14</b>
<b>5</b>	<b>1560840</b>	<b>NUMBERPLATE LIGHT SPIDER 1983-89 / ALFETTA GTV 2. SERIES ALTISSIMO</b>	<b>DKK305.17</b>
<b>5</b>	<b>1560850</b>	<b>NUMBERPLATE LIGHT SPIDER 1983-89 / ALFETTA GTV 2. SERIES / FERRARI 308</b>	<b>DKK246.50</b>
<b>6</b>	<b>1561190</b>	<b>NUMBERPLATE LIGHT SPIDER 1990-93</b>	<b>DKK1,557.33</b>



<b>1</b>	<b>1590940</b>	<b>BULB 12 V / H4</b>	<b>DKK47.77</b>
<b>1</b>	<b>1591450</b>	<b>BULB HIGH POWER H4 100/90 W</b>	<b>DKK97.78</b>
<b>1</b>	<b>1591460</b>	<b>BULB HIGH POWER H4 BILUX socket</b>	<b>DKK69.66</b>
<b>2</b>	<b>1590950</b>	<b>BULB 12 V / BILUX</b>	<b>DKK25.05</b>
<b>3</b>	<b>1590930</b>	<b>BULB 12 V / H1</b>	<b>DKK47.77</b>
<b>4</b>	<b>1590960</b>	<b>BULB 12 V / 21W</b>	<b>DKK8.20</b>
<b>5</b>	<b>1591000</b>	<b>BULB 12 V / 21/5W</b>	<b>DKK7.82</b>
<b>6</b>	<b>1591380</b>	<b>BULB 12V/21W yellow coloured</b>	<b>DKK26.63</b>
<b>7</b>	<b>1590700</b>	<b>FESTOON BULB 12 V / 5 W</b>	<b>DKK12.48</b>
<b>8</b>	<b>1590980</b>	<b>BULB 12 V / 5W</b>	<b>DKK11.73</b>
<b>9</b>	<b>1590970</b>	<b>BULB 12 V / 4W</b>	<b>DKK7.82</b>
<b>10</b>	<b>1590990</b>	<b>BULB 12 V / 2 W FOR WARNING LIGHTS</b>	<b>DKK17.23</b>
<b>11</b>	<b>1591790</b>	<b>BULB 12 V / 1,2 W CAPLESS</b>	<b>DKK17.23</b>
<b>12</b>	<b>1591800</b>	<b>BULB 12 V / 5 W CAPLESS</b>	<b>DKK17.97</b>

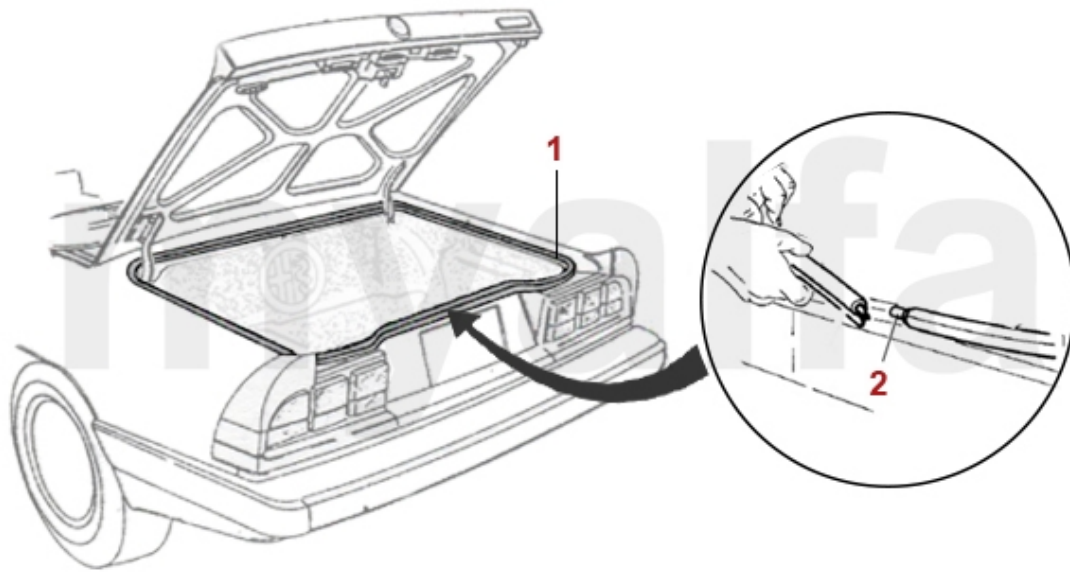


<b>1</b>	<b>1621120</b>	<b>DOOR SEAL SPIDER 1986-93, WITH VELOUR EDGE</b>	<b>DKK309.08</b>
<b>1</b>	<b>1620320</b>	<b>DOOR SEAL SPIDER 1986-93, WITHOUT VELOUR EDGE</b>	<b>DKK180.01</b>
<b>2</b>	<b>1630330</b>	<b>SET SEAL ENDS PLUG SPIDER</b>	<b>DKK46.19</b>
<b>3</b>	<b>1610300</b>	<b>FRONT SCREEN RUBBER SEAL SPIDER 1966-69</b>	<b>DKK1,244.24</b>
<b>3</b>	<b>1610290</b>	<b>FRONT SCREEN RUBBER SEAL SPIDER 1970-93</b>	<b>DKK618.26</b>
<b>4</b>	<b>1611051</b>	<b>FRONT SCREEN CHROME TRIM SEAL SPIDER LEFT</b>	<b>DKK21.14</b>
<b>4</b>	<b>1611052</b>	<b>FRONT SCREEN CHROME TRIM SEAL SPIDER RIGHT</b>	<b>DKK21.14</b>
<b>5</b>	<b>1330820</b>	<b>RETAINING CLIP FOR CHROME TRIM UNDER FRONT SCREEN SPIDER</b>	<b>DKK28.87</b>



<b>1</b>	<b>1610310</b>	<b>SET QUARTERLIGHT SEALS SPIDER 1966-69</b>	<b>DKK2,261.63</b>
<b>1</b>	<b>1610311</b>	<b>QUARTER WINDOW SEALSPIDER 1970-93 LEFT</b>	<b>DKK344.38</b>
<b>1</b>	<b>1610312</b>	<b>QUARTER WINDOW SEALSPIDER 1970-93 RIGHT</b>	<b>DKK344.38</b>
<b>2</b>	<b>1610420</b>	<b>DOOR GLASS CHANNEL FELT SPIDER FRONT</b>	<b>DKK62.58</b>
<b>3</b>	<b>1610410</b>	<b>DOOR GLASS CHANNEL FELT SPIDER REAR</b>	<b>DKK42.28</b>
<b>4</b>	<b>1610401</b>	<b>DOOR GLASS CHANNEL SPIDER 1970-93 REAR LEFT</b>	<b>DKK411.61</b>
<b>4</b>	<b>1610402</b>	<b>DOOR GLASS CHANNEL SPIDER 1970-93 REAR RIGHT</b>	<b>DKK411.61</b>
<b>5</b>	<b>1630430</b>	<b>QUARTER LIGHT TOP FINISHING RUBBER (SET) SPIDER</b>	<b>DKK93.13</b>
<b>6</b>	<b>1630342</b>	<b>FRONT DOOR RAIN SEAL SPIDER RIGHT</b>	<b>DKK93.13</b>
<b>6</b>	<b>1630341</b>	<b>FRONT DOOR RAIN SEAL SPIDER LEFT</b>	<b>DKK93.13</b>
<b>7</b>	<b>1330140</b>	<b>RETAINING CLIP FOR SPIDER FRONT DOOR SEAL</b>	<b>DKK14.90</b>
<b>8</b>	<b>1630351</b>	<b>DOOR GLASS RUNNER END SEAL SPIDER LEFT</b>	<b>DKK57.92</b>
<b>8</b>	<b>1630352</b>	<b>DOOR GLASS RUNNER END SEAL SPIDER RIGHT</b>	<b>DKK57.92</b>
<b>9</b>	<b>1631040</b>	<b>PLASTIC RIVET DOOR SEALS SPIDER</b>	<b>DKK10.99</b>
<b>10</b>	<b>1611060</b>	<b>OUTER HORIZONTAL WEATHERSTRIP SPIDER</b>	<b>DKK100.95</b>
<b>11</b>	<b>1610200</b>	<b>HORIZONTAL WINDOW FELT 100 cm</b>	<b>DKK123.67</b>
<b>12</b>	<b>1610390</b>	<b>RETAINING CLIP RETAINING CLIP INNER WINDOW FELT SPIDER</b>	<b>DKK34.46</b>
<b>13</b>	<b>1630710</b>	<b>PLUG FOR DOOR SCREWS SPIDER</b>	<b>DKK61.46</b>
<b>14</b>	<b>1330090</b>	<b>RETAINING CLIP FOR OUTER WINDOW FELT SPIDER</b>	<b>DKK34.46</b>

1	1631640	GROMMET STEERING COLUMN VERSION 1	DKK254.32
2	1631420	GROMMET STEERING COLUMN VERSION 2	DKK254.32
2	1630040	GROMMET STEERING COLUMN VERSION 3	DKK254.32
3	1631070	GROMMET FOR THROTTLE LINKAGE	DKK187.83
4	1631400	GROMMET WIRING LOOM OVAL FOR THE FOLLOWING ALFA ROMEO MODELS: ::: - 105 / 115 ::: - 106 ::: 105.00.50.260.01 / 105005026001 ::: 105.00.50.260.02 / 105005026002 ::: 60515973 :::	DKK92.38
4	1330160	CLAMP FOR WIRING HARNESS - SPIDER 1986-94	DKK203.48
4	1631540	CLAMP FOR BULKHEAD GROMMET OVAL WIRING HARNESS	DKK309.08
5	1631550	GROMMET BRAKE LINES	DKK22.72
6	1631410	GROMMET HEATER HOSE	DKK54.01
7	1631680	GROMMETS FOR HEATER HOSE GT BERTONE / SPIDER 1963-69 SET 2PC	DKK179.17
8	1631390	GROMMET SCUTTLE DRAIN SERIES 2	DKK36.78
8	1631380	SET RUBBER GROMMETS FOR WATER DRAIN SERIES 1	DKK114.26
9	1631670	GROMMET HAND THROTTLE / CHOKE SPEEDOMETER CABLE GT BERTONE / SPIDER 1963-69	DKK136.99
10	1631660	GROMMET SPEEDOMETER CABLE GIULIA SERIES 1 / GT BERTONE 1300-1750 / SPIDER 1966-69	DKK106.44
11	1631290	GROMMET FOR HEATER HOSE AND CABLES	DKK100.95
12	1631530	GROMMET WIRING LOOM SQUARE	DKK74.97
13	2580530	FUEL FILLER FLAP SEAL SPIDER	DKK116.59
14	1630560	BONNET STOP (SET) GT BERTONE / SPIDER	DKK93.13
15	1620730	BONNET TO SCUTTLE PANEL SEAL SPIDER	DKK223.03
16	1630971	FRONT WING TO SCUTTLE SEAL SPIDER LEFT	DKK108.77
16	1630972	FRONT WING TO SCUTTLE SEAL SPIDER RIGHT	DKK108.77
17	1630090	FLOOR BUNG	DKK35.20
18	1620500	BOOT LID SEAL SPIDER 1970-93	DKK233.19
18	1620510	BOOT LID SEAL SPIDER 1966-69	DKK539.19



**1** 1620500 **BOOT LID SEAL SPIDER 1970-93**

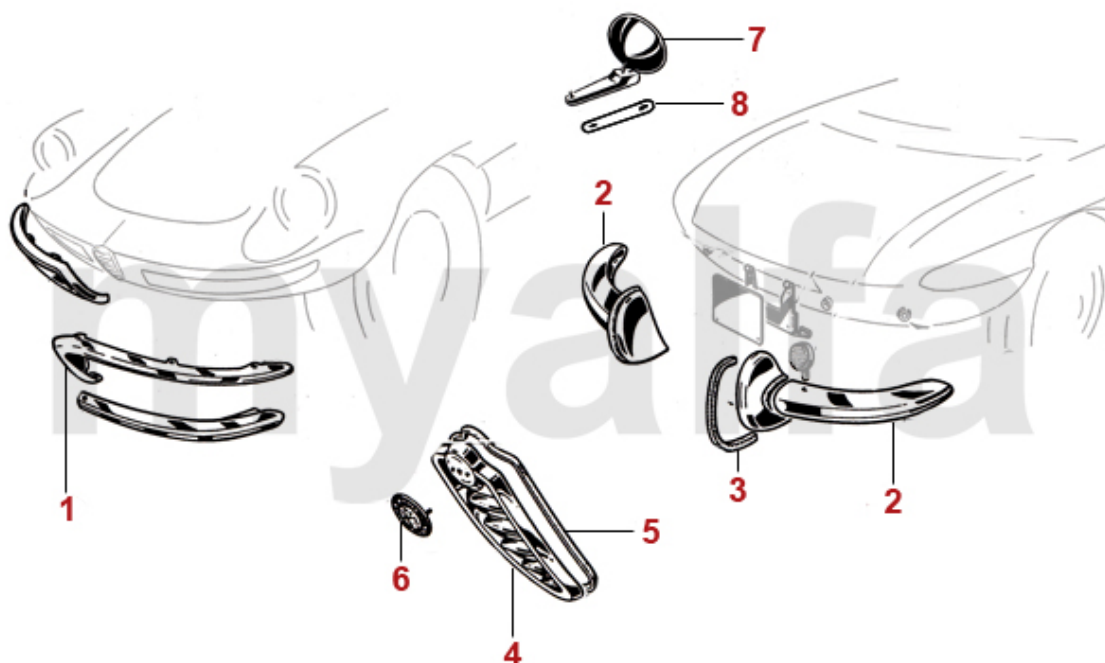
**DKK233.19**

**1** 1620510 **BOOT LID SEAL SPIDER 1966-69**

**DKK539.19**

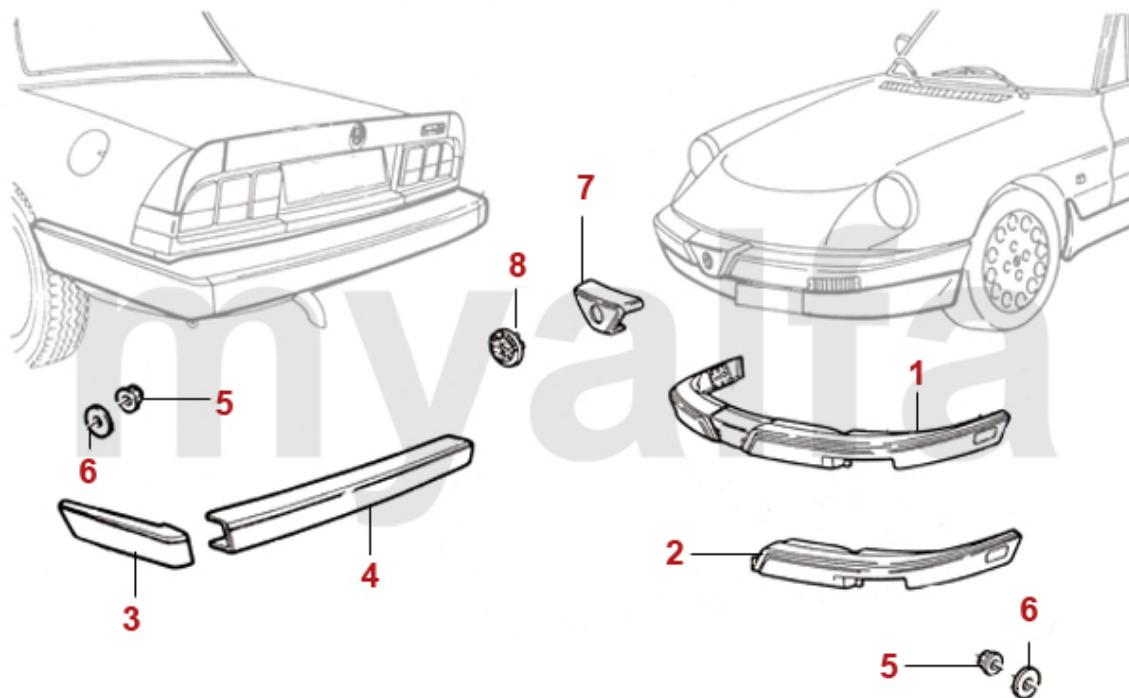
**2** 1621190 **SEALING PLUG FOR TRUNK SEAL SPIDER 1970-93**

**DKK50.85**

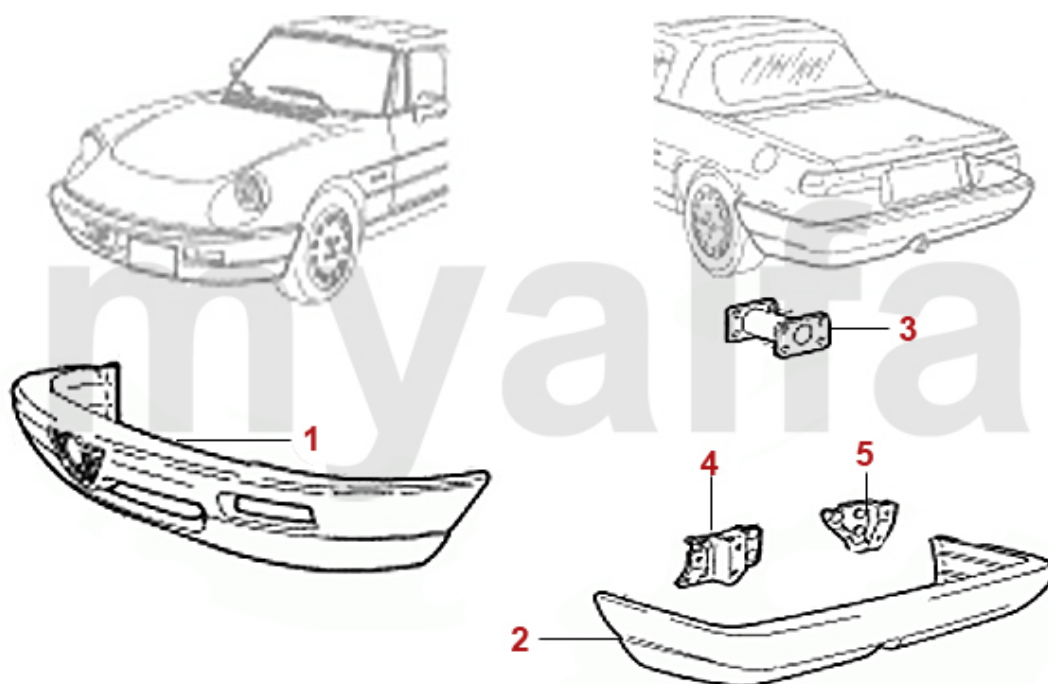


<b>1</b>	<b>1310440</b>	<b>SET BUMPERS SPIDER 1966-69 FRONT</b>	<b>DKK9,312.50</b>
<b>2</b>	<b>1310470</b>	<b>SET BUMPERS SPIDER 1966-69 REAR</b>	<b>DKK6,565.69</b>
<b>3</b>	<b>1371620</b>	<b>SET REAR OVERRIDER RUBBERS SPIDER 1966-69</b>	<b>DKK696.48</b>
<b>4</b>	<b>1320720</b>	<b>CENTRE HEART SPIDER 1966-69</b>	<b>DKK3,091.10</b>
<b>5</b>	<b>1370920</b>	<b>WEATHERSTRIP CENTRE HEART SPIDER 1966-69</b>	<b>DKK66.49</b>
<b>6</b>	<b>1360020</b>	<b>BADGE 55 mm Alfa Romeo MILANO</b>	<b>DKK234.40</b>
<b>6</b>	<b>1360030</b>	<b>BADGE 55mm "ALFA ROMEO MILANO" ENAMEL</b>	<b>DKK312.62</b>
<b>7</b>	<b>1400170</b>	<b>DOOR MIRROR CHROME ROUND ALFA BADGE INCLUDING RUBBER PAD</b>	<b>DKK383.49</b>
<b>7</b>	<b>1401470</b>	<b>DOOR MIRROR CHROME ROUND SPIDER 1966-69,GT BERTONE 1st SERIES WITHOUT ALFA EMBLEM WITH RUBBER PAD</b>	<b>DKK853.03</b>
<b>8</b>	<b>1631700</b>	<b>RUBBER PAD ROUND DOOR MIRROR</b>	<b>DKK49.26</b>

1	1310420	SET BUMPERS SPIDER 1970-82 FRONT	DKK7,426.53
2	1370481	UPPER STAINLESS STEEL COVER FOR BUMPER SPIDER 1970-82 LEFT	DKK1,009.48
2	1370482	UPPER STAINLESS STEEL COVER FOR BUMPER SPIDER 1970-82 RIGHT	DKK1,009.48
3	1370491	LOWER STAINLESS STEEL COVER FOR BUMPER SPIDER 1970-82 LEFT	DKK853.03
3	1370492	LOWER STAINLESS STEEL COVER FOR BUMPER SPIDER 1970-82 RIGHT	DKK853.03
4	1310430	BUMPER MOUNT PANEL SPIDER 1970-82 FRONT	DKK442.16
5	1310450	BUMPER SPIDER 1970-82 REAR	On request
6	1371870	BUMPER CONVERSION KIT SPIDER 1970-82 US-VERSION INTO EUROPEAN VERSION	DKK1,792.10
7	1320710	CENTRE HEART SPIDER 1970-82	DKK1,400.79
8	1360010	BADGE 55 mm Alfa Romeo	DKK234.40
8	1360020	BADGE 55 mm Alfa Romeo MILANO	DKK234.40
9	1400170	DOOR MIRROR CHROME ROUND ALFA BADGE INCLUDING RUBBER PAD	DKK383.49
10	1631700	RUBBER PAD ROUND DOOR MIRROR	DKK49.26
11	1400730	DOOR MIRROR CHROME OVAL Alfa BADGE INCLUDING RUBBER PAD	DKK383.49
12	1631430	RUBBER PAD OVAL DOOR MIRROR	DKK49.26



<b>1</b>	<b>1311070</b>	<b>BUMPER SPIDER 1983-89 FRONT</b>	<b>On request</b>
<b>2</b>	<b>1370432</b>	<b>BUMPER COVER SPIDER 1983-89 FRONT RIGHT</b>	<b>DKK2,574.63</b>
<b>2</b>	<b>1370431</b>	<b>BUMPER COVER SPIDER 1983-89 FRONT LEFT</b>	<b>DKK2,574.63</b>
<b>3</b>	<b>1371542</b>	<b>REAR WING BUMPER SPIDER 1983-89 REAR RIGHT</b>	<b>On request</b>
<b>3</b>	<b>1371541</b>	<b>REAR WING BUMPER SPIDER 1983-89 REAR LEFT</b>	<b>On request</b>
<b>4</b>	<b>1371540</b>	<b>REAR BUMPER SPIDER 1983-89</b>	<b>On request</b>
<b>5</b>	<b>1371220</b>	<b>NUT FOR BUMPER SUPPORT SPIDER 1983-93</b>	<b>DKK10.99</b>
<b>6</b>	<b>1371210</b>	<b>SPACER BUMPER SUPPORT SPIDER 1983-93</b>	<b>On request</b>
<b>7</b>	<b>1320900</b>	<b>CENTRE HEART SPIDER 1983-89</b>	<b>DKK1,400.79</b>
<b>8</b>	<b>1360330</b>	<b>BADGE 75 mm ALFA ROMEO</b>	<b>DKK289.15</b>

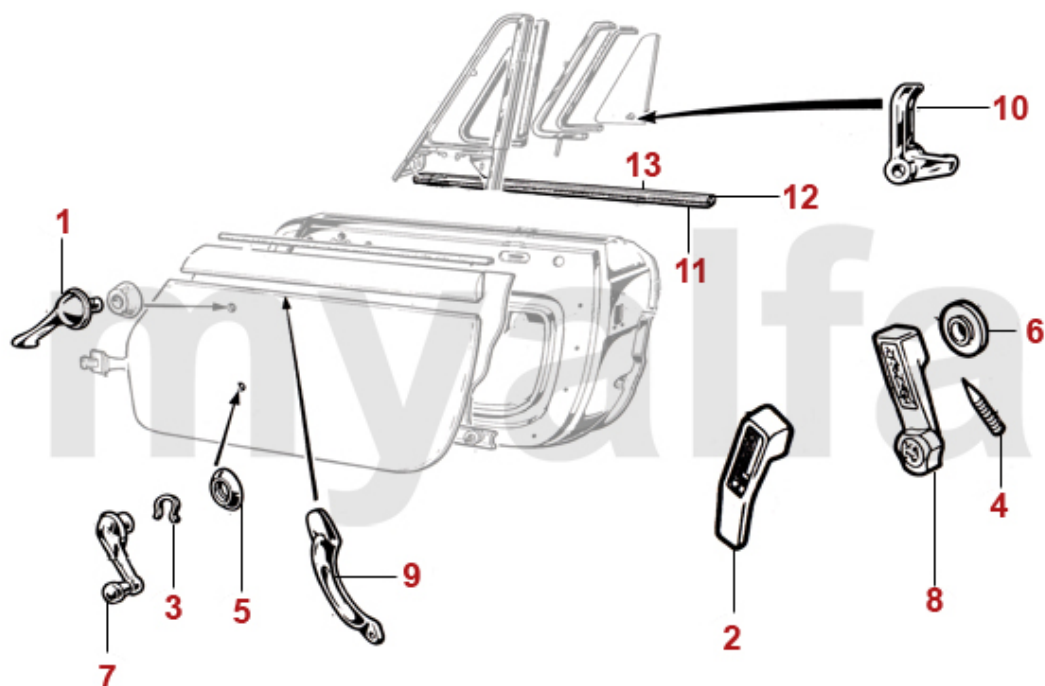


<b>1</b>	<b>1311400</b>	<b>BUMPER SPIDER 1990-93 FRONT</b>	<b>On request</b>
<b>2</b>	<b>1311410</b>	<b>BUMPER SPIDER 1990-93 REAR</b>	<b>On request</b>
<b>3</b>	<b>1312560</b>	<b>BUMPER SUPPORT SPIDER 1983-89 / 1990-93 FRONT/ REAR RIGHT</b>	<b>On request</b>
<b>3</b>	<b>1312591</b>	<b>BUMPER SUPPORT SPIDER 1990-93 REAR LEFT</b>	<b>On request</b>
<b>4</b>	<b>1312601</b>	<b>BUMPER SUPPORT BRACKET SPIDER 1990-93 REAR LEFT</b>	<b>DKK1,112.01</b>
<b>5</b>	<b>1312602</b>	<b>BUMPER SUPPORT BRACKET SPIDER 1990-93 REAR RIGHT</b>	<b>DKK1,112.01</b>

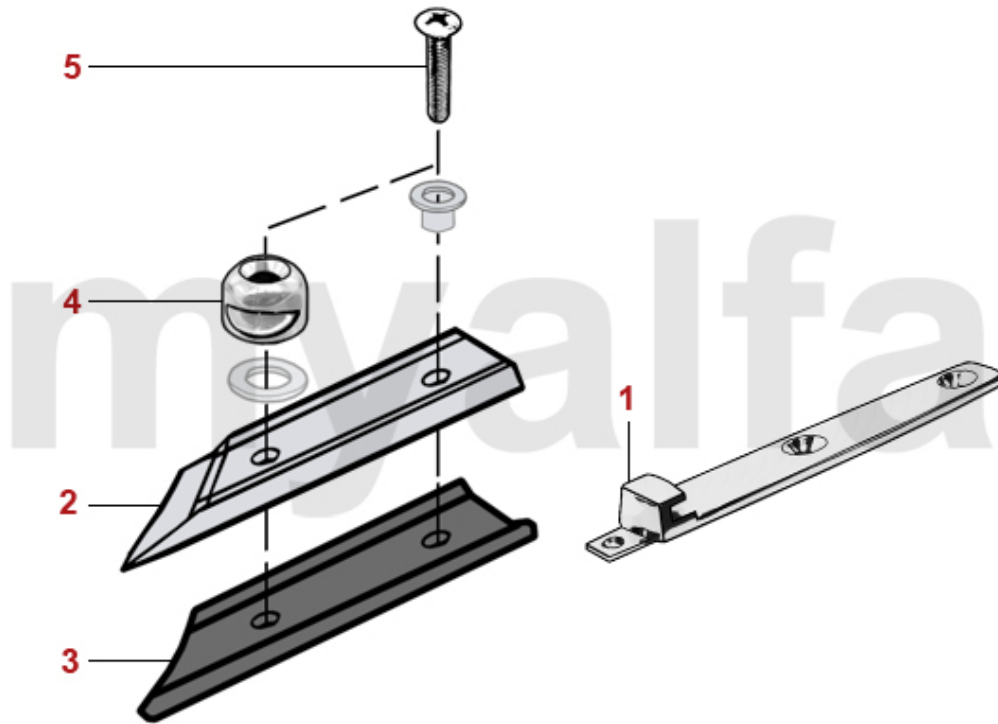


<b>1</b>	<b>1401470</b>	<b>DOOR MIRROR CHROME ROUND SPIDER 1966-69,GT BERTONE 1st SERIES WITHOUT ALFA EMBLEM WITH RUBBER PAD</b>	<b>DKK853.03</b>
<b>2</b>	<b>1400170</b>	<b>DOOR MIRROR CHROME ROUND ALFA BADGE INCLUDING RUBBER PAD</b>	<b>DKK383.49</b>
<b>3</b>	<b>1400730</b>	<b>DOOR MIRROR CHROME OVAL Alfa BADGE INCLUDING RUBBER PAD</b>	<b>DKK383.49</b>
<b>4</b>	<b>1401492</b>	<b>ELECTRIC DOOR MIRROR SPIDER 1990-93 RIGHT</b>	<b>DKK1,917.26</b>
<b>4</b>	<b>1401491</b>	<b>ELECTRIC DOOR MIRROR SPIDER 1990-93 LEFT</b>	<b>DKK1,917.26</b>
<b>5</b>	<b>1631700</b>	<b>RUBBER PAD ROUND DOOR MIRROR</b>	<b>DKK49.26</b>
<b>6</b>	<b>1631430</b>	<b>RUBBER PAD OVAL DOOR MIRROR</b>	<b>DKK49.26</b>
<b>7</b>	<b>1631190</b>	<b>SET PADS FOR ELECTRICAL DOOR MIRROR SPIDER 1990-93</b>	<b>DKK116.59</b>

<b>1</b>	<b>1170530</b>	<b>SET OUTER DOOR HANDLES SPIDER 1300/1600 1966-80, 1750 1967-69 WITH LOCK BARRELS</b>	<b>DKK2,190.39</b>
<b>2</b>	<b>1630370</b>	<b>SET OUTER DOOR HANDLE RUBBER GASKETS SPIDER 1300-1750</b>	<b>DKK285.61</b>
<b>3</b>	<b>1170560</b>	<b>SET LOCK BARRELS OUTER DOOR HANDLE SPIDER 1750 1967-69, 1300/1600 1966-80</b>	<b>DKK931.25</b>
<b>4</b>	<b>1170501</b>	<b>OUTER DOOR HANDLE SPIDER 1600-2000 LEFT 1970-93</b>	<b>DKK781.78</b>
<b>4</b>	<b>1170502</b>	<b>OUTER DOOR HANDLE SPIDER 1600-2000 RIGHT 1970-93</b>	<b>DKK781.78</b>
<b>5</b>	<b>1630360</b>	<b>OUTER DOOR HANDLE RUBBER GASKET SPIDER 1600-2000</b>	<b>DKK79.81</b>
<b>6</b>	<b>1170520</b>	<b>LOCK BARREL DOOR HANDLE SPIDER 1600-2000 1970-93</b>	<b>DKK279.38</b>
<b>6</b>	<b>1171820</b>	<b>LOCK BARREL PAIR SPIDER 1750/2000</b>	<b>DKK558.75</b>
<b>7</b>	<b>1171151</b>	<b>B-POST TOP CHROME SPIDER 1966-69 LEFT</b>	<b>DKK665.19</b>
<b>7</b>	<b>1171152</b>	<b>B-POST TOP CHROME SPIDER 1966-69 RIGHT</b>	<b>DKK665.19</b>
<b>7</b>	<b>1170621</b>	<b>B-POST TOP CHROME SPIDER 1970-93 LEFT</b>	<b>DKK305.17</b>
<b>7</b>	<b>1170622</b>	<b>B-POST TOP CHROME SPIDER 1970-93 RIGHT</b>	<b>DKK305.17</b>
<b>8</b>	<b>1760541</b>	<b>INNER DOOR PULL - 750/101/105 SPIDER UP TO YEAR 1977</b>	<b>DKK410.87</b>
<b>9</b>	<b>1330640</b>	<b>INNER SILL TRIM SPIDER STAINLESS STEEL</b>	<b>DKK354.53</b>
<b>10</b>	<b>1330650</b>	<b>OUTER SILL TRIM SPIDER STAINLESS STEEL</b>	<b>DKK329.48</b>
<b>11</b>	<b>1371360</b>	<b>SET (4pc) RIVET FOR OUTER SILL TRIM SPIDER STD</b>	<b>DKK57.92</b>



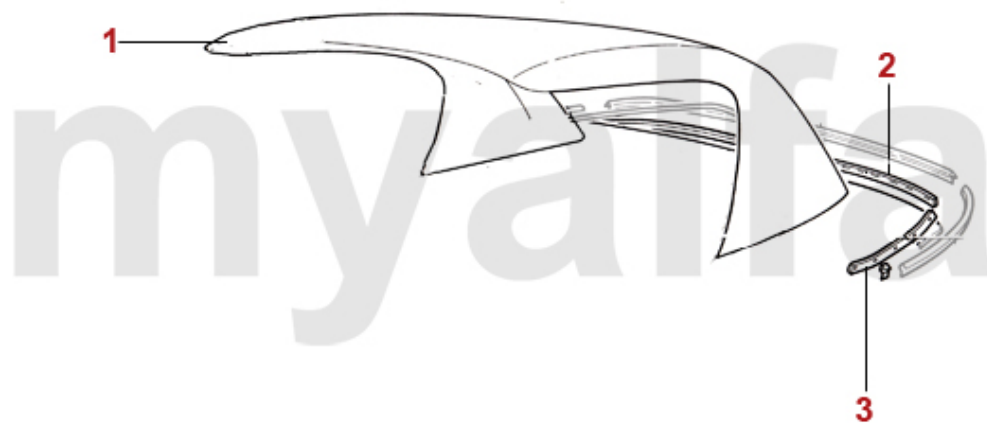
<b>1</b>	<b>1760510</b>	<b>INNER DOOR HANDLE 1966-74</b>	<b>DKK301.26</b>
<b>2</b>	<b>1760500</b>	<b>INNER DOOR HANDLE 1974-89</b>	<b>DKK293.44</b>
<b>3</b>	<b>1761080</b>	<b>RETAINING SPRING CLIP DOOR HANDLE/WINDOW WINDER HANDLE</b>	<b>DKK14.90</b>
<b>4</b>	<b>1761370</b>	<b>GRUB SCREW INNER DOOR HANDLE / WINDOW WINDER HANDLE</b>	<b>DKK31.29</b>
<b>5</b>	<b>1761430</b>	<b>BACKING WINDOW WINDER HANDLE 1966-74 STAINLESS STEEL</b>	<b>DKK91.54</b>
<b>6</b>	<b>1761040</b>	<b>PLASTIC BACKING INNER DOOR HANDLE / WINDOW WINDER HANDLE 1974-93 BLACK</b>	<b>DKK21.88</b>
<b>7</b>	<b>1760520</b>	<b>WINDOW WINDER HANDLE 1966-74</b>	<b>DKK421.76</b>
<b>8</b>	<b>1760530</b>	<b>WINDOW WINDER HANDLE 1974-89</b>	<b>DKK333.39</b>
<b>9</b>	<b>1760552</b>	<b>INNER DOOR HANDLE SPIDER 1966-77 RIGHT</b>	<b>DKK539.94</b>
<b>10</b>	<b>1760601</b>	<b>QUARTERLIGHT LEVER GIULIA / SPIDER LEFT</b>	<b>DKK461.71</b>
<b>10</b>	<b>1760602</b>	<b>QUARTERLIGHT LEVER GIULIA / SPIDER RIGHT</b>	<b>DKK461.71</b>
<b>11</b>	<b>1610661</b>	<b>STAINLESS STEEL DOOR TRIM STRIP SPIDER LEFT</b>	<b>DKK774.71</b>
<b>11</b>	<b>1610662</b>	<b>STAINLESS STEEL DOOR TRIM STRIP SPIDER RIGHT</b>	<b>DKK774.71</b>
<b>12</b>	<b>1610670</b>	<b>OE. 60722827 / 60722828 PLASTIC STRIP FOR DOOR TRIM STRIPS</b>	<b>DKK124.42</b>
<b>13</b>	<b>1611060</b>	<b>OUTER HORIZONTAL WEATHERSTRIP SPIDER</b>	<b>DKK100.95</b>



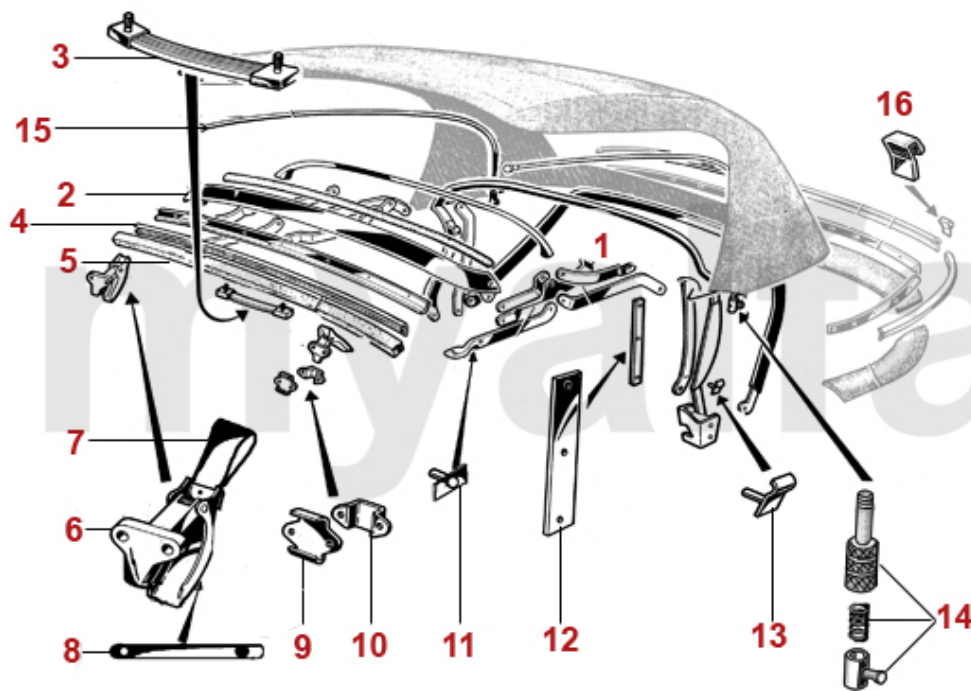
<b>1</b>	<b>1170770</b>	<b>HARDTOP SUPPORT SPIDER 1966-69</b>	<b>DKK743.42</b>
<b>2</b>	<b>1170760</b>	<b>SET HARDTOP SUPPORTS SPIDER FROM 1986 UP TO 1993</b>	<b>DKK743.42</b>
<b>3</b>	<b>1810791</b>	<b>HARDTOP SUPPORT RUBBER GASKET SPIDER 1970-93 LEFT</b>	<b>DKK41.44</b>
<b>3</b>	<b>1810792</b>	<b>HARDTOP SUPPORT RUBBER GASKET SPIDER 1970-93 RIGHT</b>	<b>DKK41.44</b>
<b>4</b>	<b>1171170</b>	<b>HARDTOP / HOODBAG SUPPORT SPIDER 1986-93</b>	<b>DKK231.60</b>
<b>5</b>	<b>1170780</b>	<b>SCREW HARDTOP / HOODBAG SUPPORT STAINLESS STEEL</b>	<b>DKK19.56</b>

<b>1</b>	<b>1810340</b>	<b>SOFT TOP SPIDER 1966-69 SONNENLAND BLACK</b>	<b>DKK5,626.61</b>
<b>1</b>	<b>1810350</b>	<b>SOFT TOP SPIDER 1966-69 SONNENLAND PREMIUM BLACK</b>	<b>DKK6,956.90</b>
<b>1</b>	<b>1810320</b>	<b>SOFT TOP SPIDER 1966-69 SONNENLAND PREMIUM BLUE</b>	<b>DKK6,221.40</b>
<b>1</b>	<b>1810400</b>	<b>SOFT TOP SPIDER 1966-69 SONNENLAND PREMIUM RED</b>	<b>DKK8,882.08</b>
<b>2</b>	<b>1810040</b>	<b>HOODBAG SPIDER 1966-69 BLACK</b>	<b>DKK2,574.63</b>
<b>3</b>	<b>1170770</b>	<b>HARDTOP SUPPORT SPIDER 1966-69</b>	<b>DKK743.42</b>
<b>4</b>	<b>1810800</b>	<b>SOFT TOP CLAMP SPIDER 1966-69</b>	<b>DKK774.71</b>
<b>5</b>	<b>1810450</b>	<b>SOFT TOP SEAL SPIDER 1966-69 FRONT</b>	<b>DKK332.55</b>
<b>6</b>	<b>1810470</b>	<b>SET SIDE SOFT TOP SEALS SPIDER 1966-69</b>	<b>DKK1,682.49</b>
<b>7</b>	<b>1810160</b>	<b>GRAP HANDLE SOFT TOP SPIDER</b>	<b>DKK207.39</b>

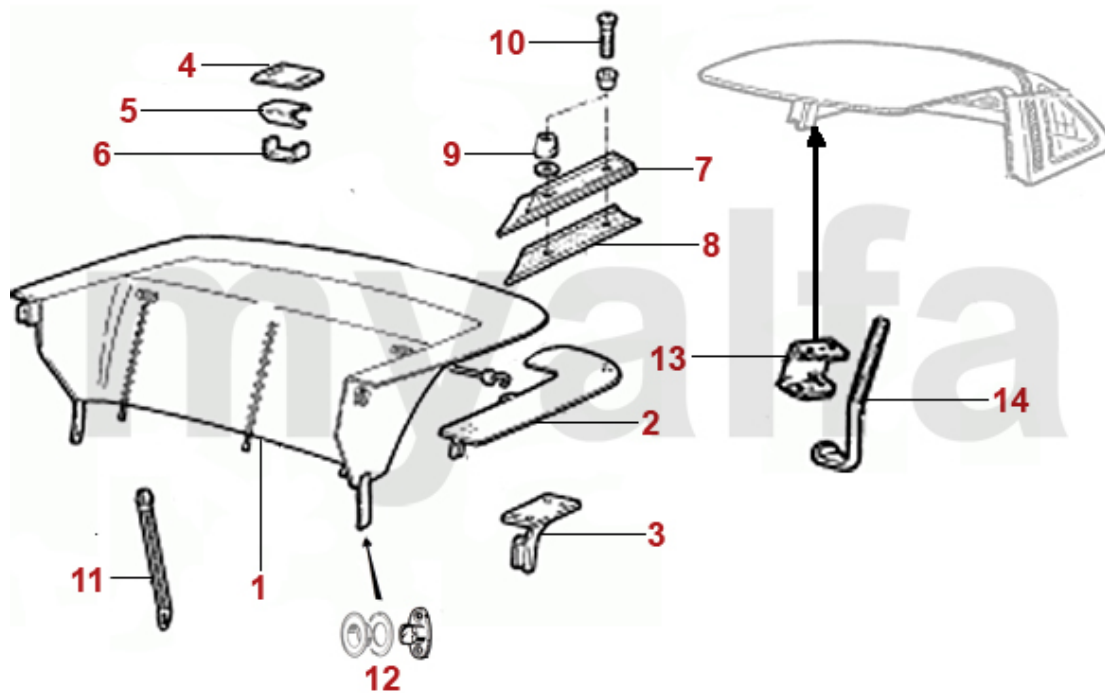
<b>1</b>	<b>1800460</b>	<b>SOFT TOP SPIDER 1970-93 PVC BLACK</b>	<b>DKK5,047.56</b>
<b>1</b>	<b>1800110</b>	<b>SOFT TOP SPIDER 1970-93 SONNENLAND DARK BEIGE</b>	<b>DKK7,035.22</b>
<b>1</b>	<b>1800300</b>	<b>SOFT TOP SPIDER 1970-93 SONNENLAND BLUE</b>	<b>DKK7,426.53</b>
<b>1</b>	<b>1800290</b>	<b>SOFT TOP SPIDER 1970-93 SONNENLAND RED</b>	<b>DKK7,035.22</b>
<b>1</b>	<b>1800280</b>	<b>SOFT TOP SPIDER 1970-93 SONNENLAND BLACK</b>	<b>DKK5,470.16</b>
<b>1</b>	<b>1800130</b>	<b>SOFT TOP SPIDER 1970-93 SONNENLAND LIGHT BEIGE</b>	<b>DKK6,565.69</b>
<b>2</b>	<b>1810030</b>	<b>HOODBAG SPIDER 1970-77 BLACK</b>	<b>DKK1,792.10</b>
<b>2</b>	<b>1810070</b>	<b>HOODBAG SPIDER 1978-89 BLACK</b>	<b>DKK1,792.10</b>
<b>3</b>	<b>1810130</b>	<b>TURN CLIP HOODBAG / SOFT TOP - 750/101, 105/115 SPIDER 1970-89</b>	<b>DKK36.78</b>
<b>4</b>	<b>1810050</b>	<b>METAL RETAINING BRACKET FOR HOODBAG CLIP SPIDER 1970-93</b>	<b>DKK15.27</b>
<b>5</b>	<b>1810060</b>	<b>HOODBAG CLIP SPIDER 1970-93</b>	<b>DKK19.56</b>
<b>6</b>	<b>1810080</b>	<b>METAL RETAINING CLAMP FOR HOODBAG CLIP SPIDER 1970-93</b>	<b>DKK14.06</b>
<b>7</b>	<b>2710240</b>	<b>SOFT TOP RETAINING STRAP SPIDER 1970-93</b>	<b>DKK129.16</b>
<b>8</b>	<b>1810190</b>	<b>REAR RETAINING STRIP SOFT TOP SPIDER 1970-93</b>	<b>DKK273.88</b>
<b>9</b>	<b>1810200</b>	<b>SIDE RETAINING STRIP SOFT TOP SPIDER 1970-93</b>	<b>DKK116.59</b>



<b>1</b>	<b>1800460</b>	<b>SOFT TOP SPIDER 1970-93 PVC BLACK</b>	<b>DKK5,047.56</b>
<b>1</b>	<b>1800110</b>	<b>SOFT TOP SPIDER 1970-93 SONNENLAND DARK BEIGE</b>	<b>DKK7,035.22</b>
<b>1</b>	<b>1800300</b>	<b>SOFT TOP SPIDER 1970-93 SONNENLAND BLUE</b>	<b>DKK7,426.53</b>
<b>1</b>	<b>1800290</b>	<b>SOFT TOP SPIDER 1970-93 SONNENLAND RED</b>	<b>DKK7,035.22</b>
<b>1</b>	<b>1800280</b>	<b>SOFT TOP SPIDER 1970-93 SONNENLAND BLACK</b>	<b>DKK5,470.16</b>
<b>1</b>	<b>1800130</b>	<b>SOFT TOP SPIDER 1970-93 SONNENLAND LIGHT BEIGE</b>	<b>DKK6,565.69</b>
<b>1</b>	<b>1800310</b>	<b>SOFT TOP SPIDER 1970-93 SONNENLAND - CLASSIC BLACK</b>	<b>DKK5,861.38</b>
<b>2</b>	<b>1810190</b>	<b>REAR RETAINING STRIP SOFT TOP SPIDER 1970-93</b>	<b>DKK273.88</b>
<b>3</b>	<b>1810200</b>	<b>SIDE RETAINING STRIP SOFT TOP SPIDER 1970-93</b>	<b>DKK116.59</b>



<b>1</b>	<b>1812660</b>	<b>SOFT TOP LEVERAGE SPIDER 1970-93 WITHOUT BOW</b>	<b>On request</b>
<b>2</b>	<b>1811030</b>	<b>SOFT TOP BOW SPIDER 1970-93</b>	<b>DKK2,339.86</b>
<b>3</b>	<b>1810010</b>	<b>COVER FOR SOFT TOP BOW SPIDER</b>	<b>DKK618.26</b>
<b>4</b>	<b>1810160</b>	<b>GRAP HANDLE SOFT TOP SPIDER</b>	<b>DKK207.39</b>
<b>5</b>	<b>1811520</b>	<b>CHANEL SOFT TOP SEAL SPIDER 1970-93 ZINC COATED</b>	<b>DKK280.96</b>
<b>6</b>	<b>1810440</b>	<b>SOFT TOP SEAL SPIDER 1970-93 FRONT</b>	<b>DKK273.14</b>
<b>7</b>	<b>1810810</b>	<b>SOFT TOP CLAMP SPIDER 1970-93</b>	<b>DKK703.56</b>
<b>8</b>	<b>1812330</b>	<b>VINYL PULL SOFT TOP CLAMP SPIDER 1970-93 REAR</b>	<b>DKK108.03</b>
<b>9</b>	<b>1810150</b>	<b>ANTI RATTLE STRAP SOFT TOP CLAMP SPIDER 1970-93</b>	<b>DKK93.13</b>
<b>10</b>	<b>1810360</b>	<b>BASE FOR SOFT TOP LOCK HOOK SPIDER 1970-93</b>	<b>DKK132.24</b>
<b>11</b>	<b>1810370</b>	<b>SOFT TOP LOCK HOOK SPIDER</b>	<b>DKK309.08</b>
<b>12</b>	<b>1811250</b>	<b>SOFT TOP FASTENING PLATE SPIDER 1970-93</b>	<b>DKK14.90</b>
<b>13</b>	<b>1810170</b>	<b>SIDE RETAINING PANEL SOFT TOP SPIDER 1970-93</b>	<b>DKK124.42</b>
<b>14</b>	<b>1810210</b>	<b>SOFT TOP OUTER SIDE RETAINING CLIPS SPIDER 1970-93 INOX</b>	<b>DKK116.97</b>
<b>15</b>	<b>6500760</b>	<b>HANDBRAKE SHOE RETAINING SPRING / SOFT TOP CABLE</b>	<b>DKK18.81</b>
<b>15</b>	<b>1810490</b>	<b>MOUNTING KIT TENSIONING SCREW SOFT TOP SPIDER</b>	<b>DKK215.21</b>
<b>16</b>	<b>1810330</b>	<b>COUNTER ROPE SOFT TOP SPIDER 1970-93</b>	<b>DKK69.66</b>
<b>17</b>	<b>1331240</b>	<b>CONNECTOR SOFT TOP TRIM SPIDER 1970-93</b>	<b>DKK77.48</b>
<b>18</b>	<b>1807093</b>	<b>SOFT TOP MOUNTING KIT SPIDER 1970-93</b>	<b>DKK233.19</b>

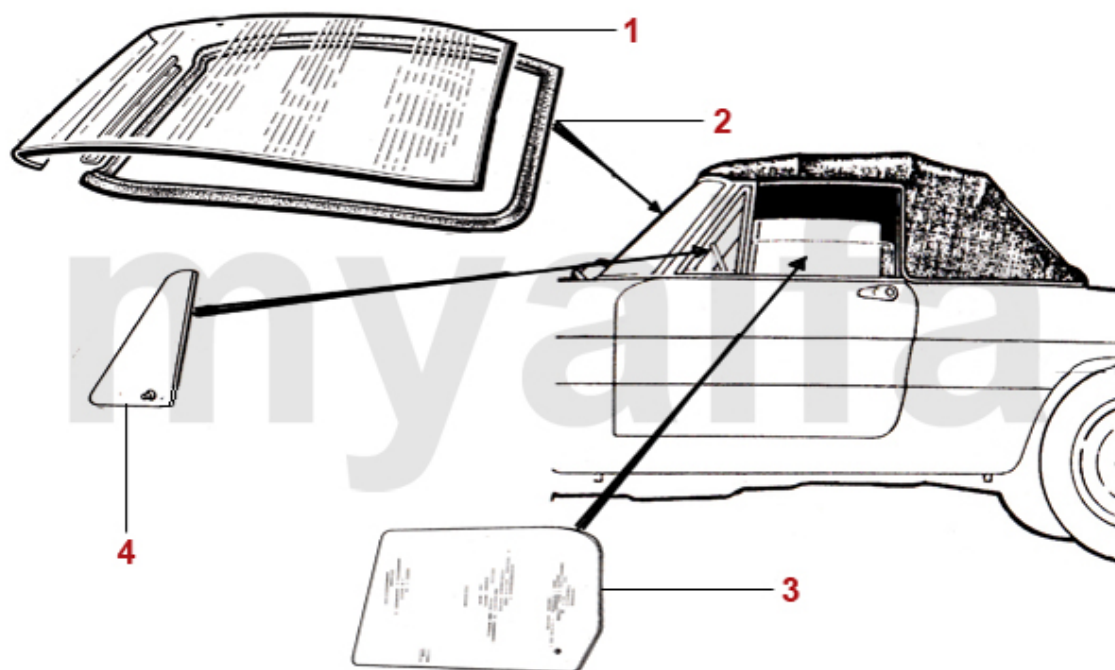


<b>1</b>	<b>1810110</b>	<b>HOODBAG SPIDER 1990-93 VINYL BEIGE</b>	<b>DKK2,339.86</b>
<b>1</b>	<b>1810120</b>	<b>HOODBAG SPIDER 1990-93 VINYL BLACK</b>	<b>DKK2,339.86</b>
<b>2</b>	<b>1810531</b>	<b>SIDE HOODBAG COVER SPIDER 1990-93 LEFT</b>	<b>DKK618.26</b>
<b>2</b>	<b>1810532</b>	<b>SIDE HOODBAG COVER SPIDER 1990-93 RIGHT</b>	<b>DKK618.26</b>
<b>3</b>	<b>1810431</b>	<b>RETAINING FORK HOODBAG COVER SPIDER 1990-93 LEFT</b>	<b>DKK210.56</b>
<b>3</b>	<b>1810432</b>	<b>RETAINING FORK HOODBAG COVER SPIDER 1990-93 RIGHT</b>	<b>DKK210.56</b>
<b>4</b>	<b>1810050</b>	<b>METAL RETAINING BRACKET FOR HOODBAG CLIP SPIDER 1970-93</b>	<b>DKK15.27</b>
<b>5</b>	<b>1810060</b>	<b>HOODBAG CLIP SPIDER 1970-93</b>	<b>DKK19.56</b>
<b>6</b>	<b>1810080</b>	<b>METAL RETAINING CLAMP FOR HOODBAG CLIP SPIDER 1970-93</b>	<b>DKK14.06</b>
<b>7</b>	<b>1170760</b>	<b>SET HARDTOP SUPPORTS SPIDER FROM 1986 UP TO 1993</b>	<b>DKK743.42</b>
<b>8</b>	<b>1810791</b>	<b>HARDTOP SUPPORT RUBBER GASKET SPIDER 1970-93 LEFT</b>	<b>DKK41.44</b>
<b>8</b>	<b>1810792</b>	<b>HARDTOP SUPPORT RUBBER GASKET SPIDER 1970-93 RIGHT</b>	<b>DKK41.44</b>
<b>9</b>	<b>1171170</b>	<b>HARDTOP / HOODBAG SUPPORT SPIDER 1986-93</b>	<b>DKK231.60</b>
<b>10</b>	<b>1170780</b>	<b>SCREW HARDTOP / HOODBAG SUPPORT STAINLESS STEEL</b>	<b>DKK19.56</b>
<b>11</b>	<b>2710240</b>	<b>SOFT TOP RETAINING STRAP SPIDER 1970-93</b>	<b>DKK129.16</b>
<b>12</b>	<b>1810130</b>	<b>TURN CLIP HOODBAG / SOFT TOP - 750/101, 105/115 SPIDER 1970-89</b>	<b>DKK36.78</b>
<b>13</b>	<b>1810390</b>	<b>SIDE HARDTOP SUPPORT SPIDER 1990-93</b>	<b>DKK171.35</b>
<b>14</b>	<b>1810380</b>	<b>SIDE HARD TOP LOCK SPIDER 1990-93</b>	<b>DKK383.49</b>
<b>15</b>	<b>1171110</b>	<b>PIPE FOR HARDTOPHOLDER SCREW SPIDER</b>	<b>DKK35.20</b>



**1** 1812580 WIND PROTECTOR SPIDER 1970-93

**DKK1,166.02**



1	1340140	FRONT SCREEN SPIDER 1966-69 GREEN	DKK2,965.94
1	1340110	FRONT SCREEN SPIDER 1966-69 CLEAR	DKK3,122.39
1	1340240	FRONT SCREEN SPIDER 1970-93 BRONZE WITH ANTENNA	DKK3,905.01
1	1340120	FRONT SCREEN SPIDER 1970-93 GREEN	DKK2,965.94
1	1340250	FRONT SCREEN SPIDER 1970-93 GREEN WITH DARK GREEN TOP	DKK3,020.70
1	1340100	FRONT SCREEN SPIDER 1970-93 CLEAR	DKK2,942.47
2	1610300	FRONT SCREEN RUBBER SEAL SPIDER 1966-69	DKK1,244.24
2	1610290	FRONT SCREEN RUBBER SEAL SPIDER 1970-93	DKK618.26
3	1340160	DOOR WINDOW SPIDER 1966-69 CLEAR	DKK1,009.48
3	1340310	DOOR WINDOW SPIDER 1970-93 BRONZE	DKK853.03
3	1340270	DOOR WINDOW SPIDER 1970-93 GREEN	DKK853.03
3	1340150	DOOR WINDOW SPIDER 1970-93 CLEAR	DKK743.42
3	1340490	DOOR WINDOW SPIDER 1966-69 GREEN	DKK853.03
4	1340181	QUARTERLIGHT SPIDER 1970-93 CLEAR WITH LEVER LEFT	DKK1,635.55
4	1340182	QUARTERLIGHT SPIDER 1970-93 CLEAR WITH LEVER RIGHT	DKK1,689.57
4	1340170	FIXED QUARTERLIGHT SPIDER 1970-93 CLEAR	On request
4	1340500	QUARTERLIGHT SPIDER 1970-93 CLEAR	DKK586.97
4	1340260	QUARTERLIGHT SPIDER 1970-93 GREEN	DKK696.48
4	1340320	QUARTERLIGHT SPIDER 1970-93 BRONZE	DKK696.48
4	1340220	QUARTERLIGHT SPIDER 1966-69 CLEAR	DKK696.48
4	1340410	QUARTERLIGHT SPIDER 1966-69 GREEN	DKK853.03

1	1190200	DOOR CHECK STRAP SPIDER	DKK234.02
1	1190050	DOOR CHECK STRAP SPIDER COMPLETE	DKK489.09
2	1190060	DOOR CHECK STRAP PIN GT BERTONE SERIES 1 / SPIDER	DKK19.56
3	1190320	DOOR CHECK STRAP (SET 2PC) ROLLER GT BERTONE SERIES 1 / SPIDER	DKK40.70
4	1131640	DOOR HINGE SPIDER	On request
5	1190100	SET DOOR BUFFERS SPIDER	DKK172.19
6	1170131	LOCK STRIKER SPIDER 1968-93 LEFT	DKK332.55
6	1170132	LOCK STRIKER SPIDER 1968-93 RIGHT	DKK332.55
7	1190290	DOOR CATCH SPACER SPIDER	On request
8	1170170	SCREW COUNTERSUNK HEAD M 6 x 30	DKK17.97
9	1190111	DOOR BUFFER CATCH B-PILLAR SPIDER LEFT	DKK254.32
9	1190112	DOOR BUFFER CATCH B-PILLAR SPIDER RIGHT	DKK254.32
10	1190121	DOOR BUFFER SPACER B-PILLAR SPIDER LEFT	DKK31.29
10	1190122	DOOR BUFFER SPACER B-PILLAR SPIDER RIGHT	DKK31.29
11	1190011	CABLE WINDOW REGULATOR SPIDER 1975-89 LEFT	DKK531.37
11	1190012	CABLE WINDOW REGULATOR SPIDER 1975-89 RIGHT	DKK531.37
11	1190311	CABLE WINDOW REGULATOR SPIDER 1970-74 LEFT	DKK461.71
11	1190312	CABLE WINDOW REGULATOR SPIDER 1970-74 RIGHT	DKK461.71
11	1190301	CABLE WINDOW REGULATOR SPIDER 1966-69 LEFT	On request
11	1190302	CABLE WINDOW REGULATOR SPIDER 1966-69 RIGHT	On request
12	1190181	CABLE WINDOW REGULATOR SPIDER 1990-93 LEFT	DKK1,400.79
12	1190182	CABLE WINDOW REGULATOR SPIDER 1990-93 RIGHT	DKK1,400.79
12	1190861	ELECTRIC WINDOW RETROFIT KIT SPIDER 1970 - 93 LEFT	DKK1,322.56
12	1190862	ELECTRIC WINDOW RETROFIT KIT SPIDER 1970 - 93 RIGHT	DKK1,322.56
13	1190190	ELECTRIC WINDOW MOTOR SPIDER 1990-93 / MONTREAL / ALFETTA GTV	DKK1,009.48
14	1190500	OE.60711136 GUIDE ROLLER FOR WINDOW REGULATOR CABLE	DKK77.48



<b>1</b>	<b>1360030</b>	<b>BADGE 55mm "ALFA ROMEO MILANO" ENAMEL</b>	<b>DKK312.62</b>
<b>2</b>	<b>1360020</b>	<b>BADGE 55 mm Alfa Romeo MILANO</b>	<b>DKK234.40</b>
<b>3</b>	<b>1360070</b>	<b>BADGE PININFARINA SERIES 1 SIDE</b>	<b>DKK226.20</b>
<b>4</b>	<b>1370460</b>	<b>CLIP FOR BADGE Alfa Romeo 1962-82</b>	<b>DKK9.41</b>



<b>1</b>	<b>1360010</b>	<b>BADGE 55 mm Alfa Romeo</b>	<b>DKK234.40</b>
<b>2</b>	<b>1360330</b>	<b>BADGE 75 mm ALFA ROMEO</b>	<b>DKK289.15</b>
<b>3</b>	<b>1360060</b>	<b>BADGE PININFARINA SERIES 2 SIDE</b>	<b>DKK195.28</b>
<b>4</b>	<b>1370080</b>	<b>RUBBER BACKING FOR PININFARINA BADGE</b>	<b>DKK30.55</b>
<b>5</b>	<b>1360320</b>	<b>BADGE PININFARINA SPIDER 1985-93 AT THE SIDE</b>	<b>DKK179.17</b>
<b>6</b>	<b>1370460</b>	<b>CLIP FOR BADGE Alfa Romeo 1962-82</b>	<b>DKK9.41</b>
<b>6</b>	<b>1370610</b>	<b>CLIP FOR BADGE PININFARINA</b>	<b>DKK7.45</b>

<b>1</b>	<b>1362410</b>	<b>BADGE ALUMINIUM WHEEL SILVER / BLACK BACKGROUND 48 mm</b>	<b>DKK61.84</b>
<b>2</b>	<b>1360500</b>	<b>BADGE ALUMINIUM WHEEL BLACK / SILVER BACKGROUND 48 mm</b>	<b>DKK61.84</b>
<b>3</b>	<b>1360510</b>	<b>CIRCLIP BADGE ALUMINIUM WHEEL 48 mm</b>	<b>DKK28.96</b>
<b>4</b>	<b>1360590</b>	<b>BADGE ALUMINIUM WHEEL SPIDER 1990-93</b>	<b>DKK54.01</b>
<b>5</b>	<b>1360600</b>	<b>BADGE HUBCAP SERIES 2</b>	<b>DKK147.88</b>
<b>5</b>	<b>1740380</b>	<b>LOCK WASHER FOR PLASTIC EMBLEM 1360600</b>	<b>DKK6.98</b>
<b>6</b>	<b>1360610</b>	<b>BADGE ALUMINIUM WHEEL CROMODORA, 52mm</b>	<b>DKK199.57</b>



1	1360100	SCRIPT "Alfa Romeo" GIULIA, SPIDER 1966-69	DKK1,009.48
2	1360150	SCRIPT "1750" GT BERTONE / SPIDER 1967-69	DKK618.26
3	1361020	SCRIPT "1300 JUNIOR" SPIDER 1300 1967-69	DKK1,009.48
4	1370470	RETAINING CLIP FOR SCRIPTS	DKK7.08

1 *Alfa Romeo*

2 *1300*

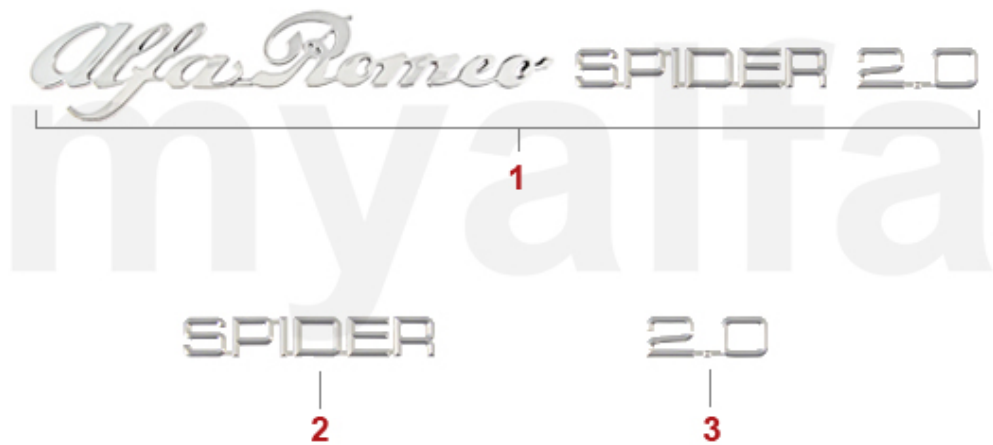
3 *1600*

4 *1750*

5 *2000*



1	1360090	SCRIPT "Alfa Romeo" SPIDER 1970-82	DKK774.71
2	1360050	SCRIPT "1300" SPIDER 1970-82	DKK489.09
3	1360530	SCRIPT "1600" SPIDER 1970-82	DKK489.09
4	1360520	SCRIPT "1750" SPIDER 1970-82	DKK489.09
5	1360040	SCRIPT "2000" SPIDER 1970-82	DKK489.09
6	1370470	RETAINING CLIP FOR SCRIPTS	DKK7.08



<b>1</b>	<b>1360540</b>	<b>SCRIPT SET SPIDER 1990-93 SELF-ADHESIVE</b>	<b>On request</b>
<b>2</b>	<b>1360560</b>	<b>SCRIPT "SPIDER 2.0" SPIDER 1990-93</b>	<b>On request</b>
<b>3</b>	<b>1360570</b>	<b>SCRIPT "2.0" SPIDER 1990-93</b>	<b>On request</b>



<b>1</b>	<b>1812580</b>	<b>WIND PROTECTOR SPIDER 1970-93</b>	<b>DKK1,166.02</b>
<b>2</b>	<b>9100092</b>	<b>CARRIER CHROME SPIDER 105 / 115</b>	<b>DKK1,166.02</b>
<b>3</b>	<b>1371030</b>	<b>REAR SPOILER "ZENDER-STYLE" SPIDER 1983-89</b>	<b>DKK2,496.40</b>
<b>4</b>	<b>9822250</b>	<b>BATTERY LIFE SAFER</b>	<b>DKK301.26</b>

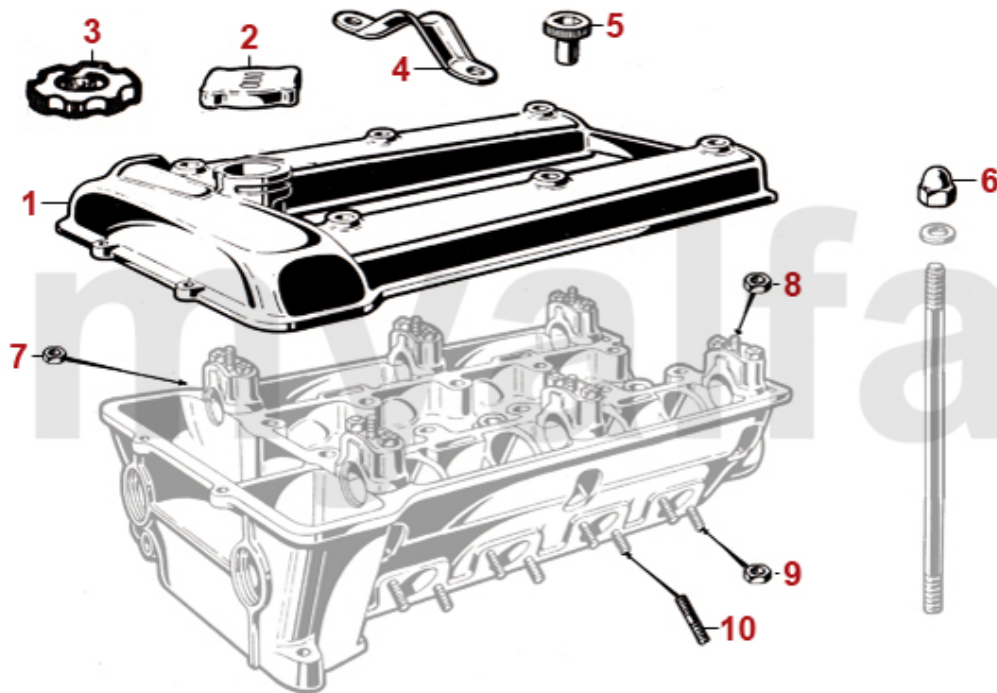


<b>1</b>	<b>9300940</b>	<b>BODY TYPE PLATE 105.91, SPIDER 1300 1968-69</b>	<b>DKK168.28</b>
<b>2</b>	<b>9300950</b>	<b>BODY TYPE PLATE 105.03, SPIDER 1600 1966-68</b>	<b>DKK168.28</b>
<b>3</b>	<b>9300960</b>	<b>BODY TYPE PLATE 105.57, SPIDER 1750 1968-69</b>	<b>DKK168.28</b>
<b>4</b>	<b>9300650</b>	<b>BODY TYPE PLATE 105.62, SPIDER 1750 VERSION 1968-71 US-VERSION</b>	<b>DKK168.28</b>
<b>5</b>	<b>9300620</b>	<b>BODY TYPE PLATE 105.24, SPIDER 2000 VELOCE 1971-74</b>	<b>DKK176.10</b>
<b>6</b>	<b>9300900</b>	<b>BODY TYPE PLATE 115.02, SPIDER 2000 1972-77 US-VERSION</b>	<b>DKK168.28</b>



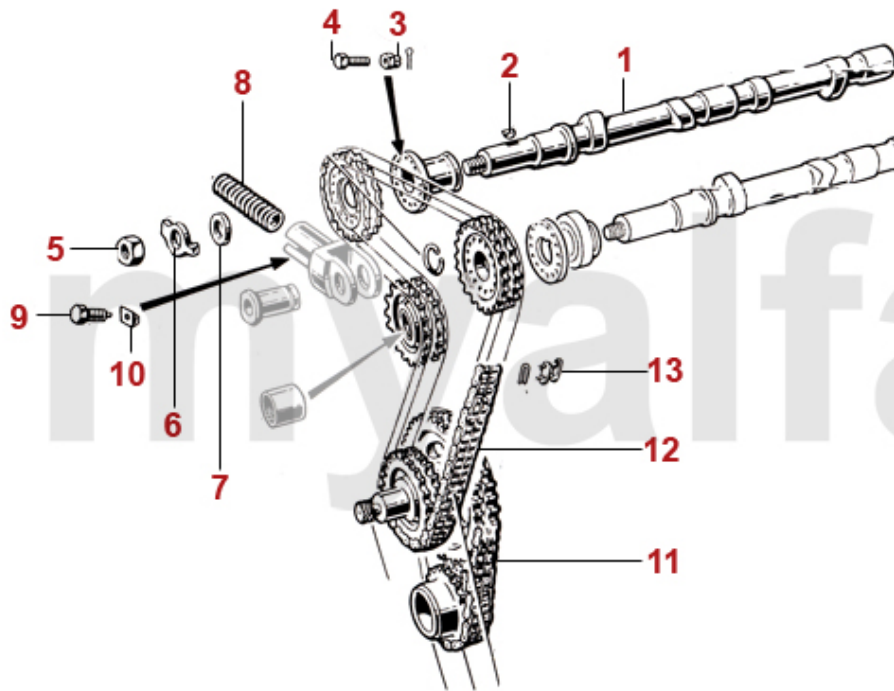
1 9300580 BODY VIN PLATE (BLANK)

DKK168.28



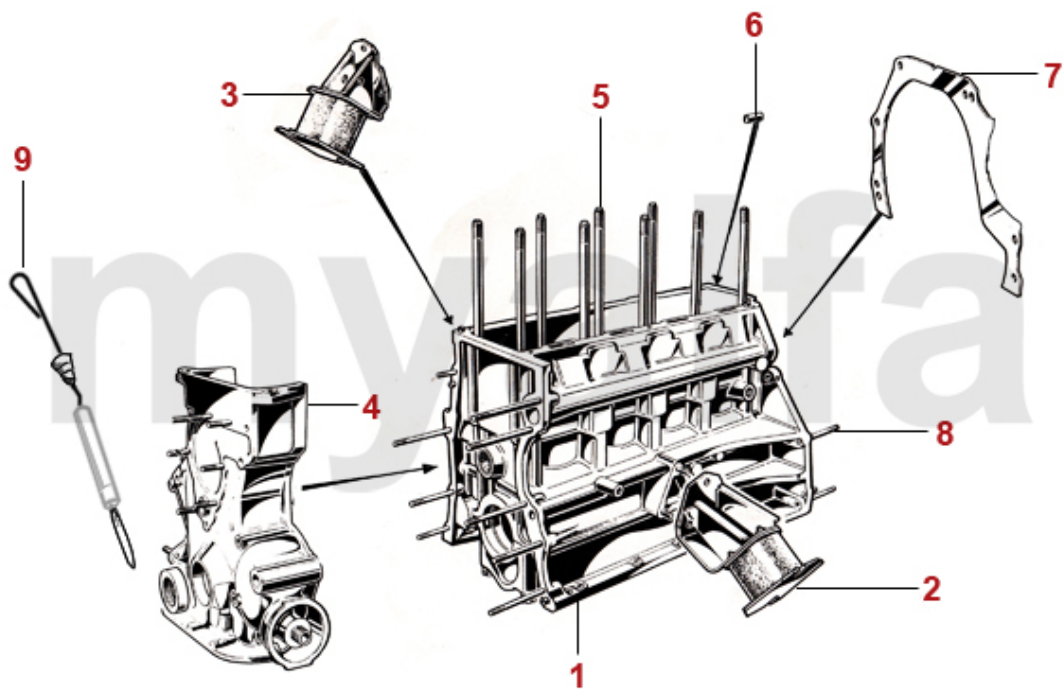
<b>1</b>	<b>2122070</b>	<b>CAM COVER BLACK EPOXY COATED EXCHANGE</b>	<b>On request</b>
<b>2</b>	<b>2280570</b>	<b>OIL FILLER CAP Metall</b>	<b>DKK104.86</b>
<b>2</b>	<b>2281410</b>	<b>OIL FILLER CAP METAL CHROMED</b>	<b>DKK191.74</b>
<b>3</b>	<b>2281440</b>	<b>OIL FILLER CAP PLASTIC (NOT SUBSTITUTABLE BY METAL VERSION) BAJONETT</b>	<b>DKK508.65</b>
<b>4</b>	<b>2281890</b>	<b>CYLINDER HEAD EXTRACTOR BRACKET 101/105/75</b>	<b>DKK116.59</b>
<b>5</b>	<b>2281150</b>	<b>CAM COVER SCREW 1959-70 HEXAGON SOCKET 14 mm</b>	<b>DKK100.95</b>
<b>5</b>	<b>2281520</b>	<b>CAM COVER SCREW HEXAGON SOCKET 6 mm</b>	<b>DKK46.94</b>
<b>5</b>	<b>2284760</b>	<b>CAM COVER SCREW WRENCH SIZE 17</b>	<b>DKK50.85</b>
<b>6</b>	<b>2282450</b>	<b>NUT CYLINDER HEAD (SET) WRENCH SIZE 17 mm</b>	<b>DKK106.44</b>
<b>6</b>	<b>2282460</b>	<b>NUT CYLINDER HEAD CHROMED WRENCH SIZE 19 mm</b>	<b>DKK100.95</b>
<b>6</b>	<b>2282480</b>	<b>NUT CYLINDER HEAD CHROMED WRENCH SIZE 17 mm</b>	<b>DKK100.95</b>
<b>7</b>	<b>2281270</b>	<b>STEEL NUT INTAKE MANIFOLD M 8 x 1 WRENCH SIZE 12 mm</b>	<b>DKK7.08</b>
<b>8</b>	<b>2282620</b>	<b>STEEL NUT M8x1 WRENCH SIZE 13mm</b>	<b>DKK7.08</b>
<b>9</b>	<b>2282610</b>	<b>COPPER NUT M 8 x 1 WRENCH SIZE 12mm EXHAUST MANIFOLD</b>	<b>DKK7.45</b>
<b>9</b>	<b>2281280</b>	<b>BRASS NUT EXHAUST MANIFOLD M 8 x 1 WRENCH SIZE 13 mm</b>	<b>DKK17.97</b>
<b>10</b>	<b>2280930</b>	<b>STUD CYLINDER HEAD / EXHAUST MANIFOLD</b>	<b>DKK17.97</b>

1	2230370	VALVE SEAT EXHAUST 1300 OVERSIZE 0.10	DKK140.06
1	2232670	VALVE SEAT EXHAUST 1600/1750 OVERSIZE 0.10	DKK147.88
1	2232680	VALVE SEAT EXHAUST 2000 OVERSIZE 0.10	DKK140.06
2	2232660	VALVE SEAT INTAKE 2000 OVERSIZE 0.10	DKK152.63
2	2230340	VALVE SEAT INTAKE 1300 OVERSIZE 0.10	DKK122.09
2	2232650	VALVE SEAT INTAKE 1600/1750 OVERSIZE 0.10	DKK140.06
3	2231640	VALVE GUIDE SPIDER 1990-93 INJECTION	DKK108.77
3	2230420	VALVE GUIDE EXHAUST STANDARD 9 x 14,05 x 54	DKK85.30
3	2231620	VALVE GUIDE EXHAUST OVERSIZE 0.10 9 x 14,10 x 54	DKK116.59
3	2231630	VALVE GUIDE EXHAUST OVERSIZE 0.20 9 x 14,15 x 54	On request
4	2230400	VALVE GUIDE INTAKE STANDARD 9 x 14,05 x 51	DKK82.14
4	2231600	VALVE GUIDE INTAKE OVERSIZE 0.10 9 x 14,10 x 51	DKK108.77
4	2231610	VALVE GUIDE INTAKE OVERSIZE 0.20 9 x 14,15 x 51	DKK108.77
5	2332550	VALVE SEAL REINZ	DKK38.37
6	2280920	STUD CYLINDER HEAD - INTAKE MANIFOLD	DKK21.14



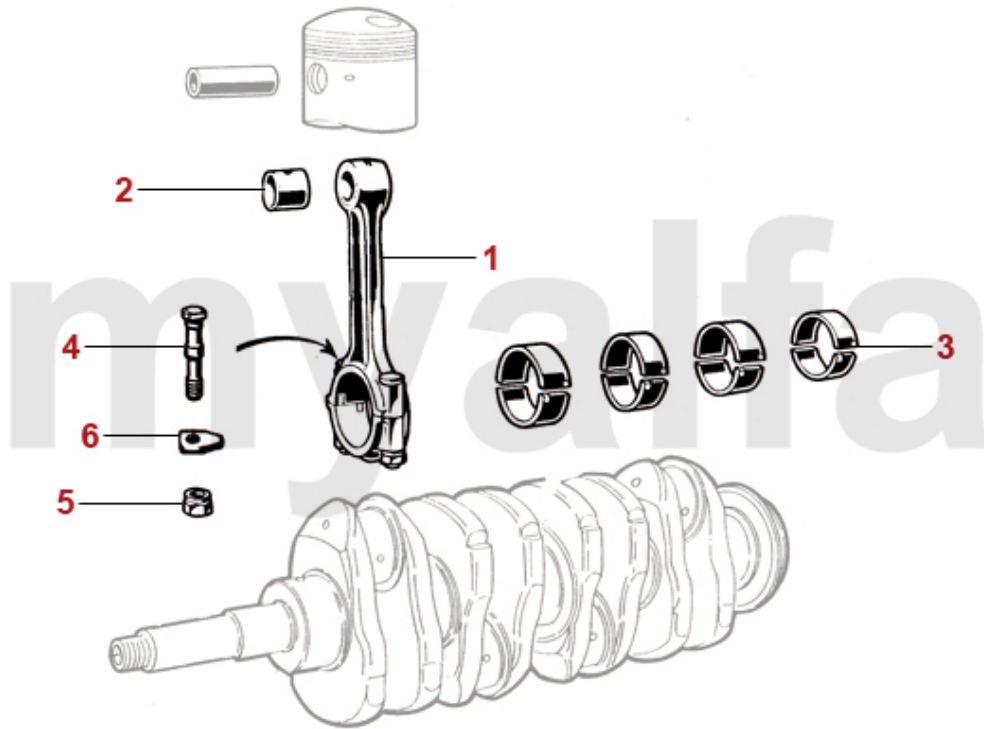
<b>1</b>	<b>2222850</b>	<b>CAMSHAFT 1750/2000 105.48.03.200.01</b>	<b>DKK2,339.86</b>
<b>2</b>	<b>2281370</b>	<b>WEDGE CAMSHAFT</b>	<b>DKK54.01</b>
<b>3</b>	<b>2280990</b>	<b>NUT SAFETY SCREW CAMSHAFT</b>	<b>DKK7.82</b>
<b>4</b>	<b>2280980</b>	<b>SAFETY SCREW CAMSHAFT</b>	<b>DKK27.38</b>
<b>5</b>	<b>2421210</b>	<b>NUT TIMING CHAIN SPROCKET</b>	<b>DKK17.23</b>
<b>6</b>	<b>2281230</b>	<b>TAB WASHER CAMSHAFT</b>	<b>DKK19.56</b>
<b>7</b>	<b>2421220</b>	<b>WASHER TIMING CHAIN SPROCKET</b>	<b>On request</b>
<b>8</b>	<b>2421200</b>	<b>CHAIN TENSIONER SPRING</b>	<b>DKK57.92</b>
<b>9</b>	<b>2421010</b>	<b>CHAIN TENSIONER SCREW</b>	<b>DKK54.01</b>
<b>10</b>	<b>2421000</b>	<b>CHAIN TENSIONER LOCKING BLOCK</b>	<b>DKK43.02</b>
<b>11</b>	<b>2410470</b>	<b>BOTTOM TIMING CHAIN 1300-2000 WITHOUT LINK</b>	<b>DKK215.21</b>
<b>11</b>	<b>2410470I</b>	<b>TIMING CHAIN IWIS 1300-2000 SHORT ENDLESS</b>	<b>DKK371.76</b>
<b>12</b>	<b>2412490I</b>	<b>TIMING CHAIN IWIS 1600 LONG WITH LINK</b>	<b>DKK625.24</b>
<b>12</b>	<b>2410460I</b>	<b>TIMING CHAIN IWIS 1750-2000 WITH LINK</b>	<b>DKK696.48</b>
<b>12</b>	<b>2412490</b>	<b>TOP TIMING CHAIN 1600 WITH LINK</b>	<b>DKK333.39</b>
<b>12</b>	<b>2410460</b>	<b>TOP TIMING CHAIN 1750-2000 WITH LINK</b>	<b>DKK333.39</b>
<b>12</b>	<b>2412480</b>	<b>TOP TIMING CHAIN 1300 WITH LINK</b>	<b>DKK333.39</b>
<b>12</b>	<b>2412480I</b>	<b>TIMING CHAIN IWIS 1300 LONG WITH LINK - 101, 105, 115, 116</b>	<b>DKK586.13</b>
<b>13</b>	<b>2410480</b>	<b>TIMING CHAIN LINK</b>	<b>DKK58.67</b>

1	2230260	INTAKE VALVE 1600-1750 41 mm	DKK124.42
1	2230270	INTAKE VALVE 2000 CARBURETTOR 44 mm	DKK132.24
1	2230300	EXHAUST VALVE 1600-1750 37 mm	DKK130.65
1	2230320	EXHAUST VALVE 2000 40 mm	DKK164.37
1	2230250	INTAKE VALVE 1300 37 mm	DKK129.91
1	2230280	EXHAUST VALVE 1300 34 mm	DKK130.65
1	2232120	INTAKE VALVE SPIDER 1990-93 2000 INJECTION	On request
2	2232920	VALVE SPRING CUP	On request
3	2232950	SHIM VALVE CUP / SPRING	DKK27.75
4	2232740	SET VALVE SPRINGS 16 PIECES	DKK665.19
5	2232930	UPPER SPRING CAP FOR VALVE SPRING	On request
6	2232960	VALVE COTTER 9MM	DKK14.90
7	2431140	SET VALVE SHIMS 200 PIECES 2,525 - 3,5 mm, DIAMETER 9mm	DKK4,374.55
7	2430840	SET VALVE SHIMS 205 PIECES 1,5 - 2,5 mm, DIAMETER 9mm	DKK4,374.55
7	2430430	VALVE SHIM 9MM PLEASE SUBMIT THE SIZE YOU NEED	DKK97.04
8	2240680	CAM FOLLOWER OE-QUALITY 101/105/115/116/75/155/164	DKK136.99
8	2240710	CAM FOLLOWER DLC RACING MADE IN ITALY 101/105/115/116/75/164	DKK309.08



1	2142330	ENGINE BLOCK 1300 SERIES 1 OIL FILTER CARTRIDGE STYLE USED	On request
1	2142250	ENGINE BLOCK 1300 SERIES 2 SPIN-ON STYLE OIL FILTER USED	On request
1	2142270	ENGINE BLOCK 1600 SERIES 2 SPIN-ON STYLE OIL FILTER USED	On request
1	2142280	1600 ENGINE MOUNT used Type 116 with oilfilter cartridge	On request
1	2142290	ENGINE BLOCK 1750 USED	On request
1	2142300	1800 ENGINE MOUNT used Type 116 with oilfilter cartridge	On request
1	2142310	ENGINE BLOCK 2000 105 SPIN-ON STYLE OIL FILTER USED	On request
1	2142320	2000 ENGINE MOUNT used type 116 with oilfilter cartridge	On request
2	2800671	ENGINE MOUNT ROUND LEFT EXHAUST RACING STRENGTHENED	DKK449.98
2	2280661	ENGINE MOUNT ROUND, LEFT EXHAUST	DKK351.36
3	2800672	ENGINE MOUNT ROUND RIGHT INTAKE RACING STRENGTHENED	DKK449.98
3	2280662	ENGINE MOUNT ROUND, RIGHT INTAKE	DKK351.36
4	2142720	TIMING COVER USED PLEASE SPECIFY WHICH MODEL	On request
5	2282360	ENGINE STUD 1750-2000 M12	DKK176.10
5	2282340	ENGINE STUD 1600 M11 - 101/105	DKK152.63
5	2282370	ENGINE STUD 1300 M11 - 101/105	DKK152.63
6	2281980	CENTRE STUD ENGINE BLOCK REAR	On request
7	4100500	SPACER ENGINE / TRANSMISSION 1967-93	DKK226.95
8	2281430	STUD ENGINE / TRANSMISSION	DKK37.16
9	8510020	OIL DIP STICK FOR 8cm PIPE 1974-86	DKK234.02
9	8510030	OIL DIP STICK FOR 12cm PIPE 1971-73	DKK234.02

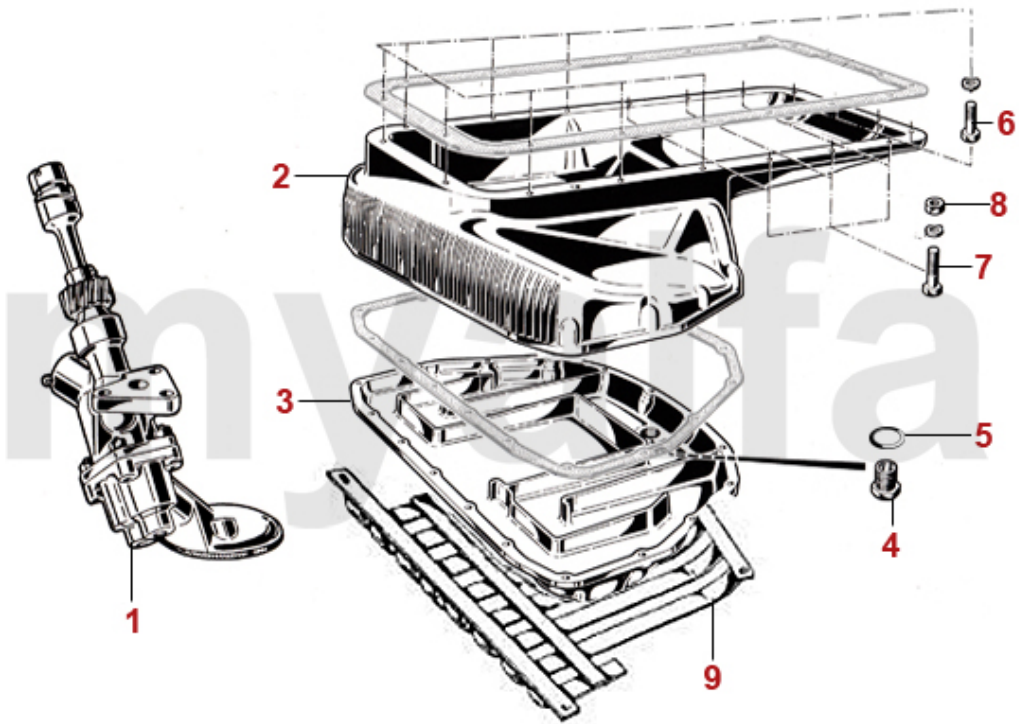
1	2212215	PISTON / LINER 2000 CARBURETTOR	DKK1,134.73
1	2212235	PISTON / LINER 2000 HIGH COMPRESSION 10,4 : 1	DKK1,244.24
1	2212185	PISTON / LINER 1300	DKK1,087.79
1	2212195	PISTON / LINER 1600	DKK1,087.79
1	2212205	PISTON / LINER 1750	DKK1,087.79
1	2212245	PISTON / LINER 2000 MOTRONIC	DKK1,322.56
1	2212225	PISTON / LINER 2000 IE SPIDER 1990-93	DKK1,093.66
1	2212295	PISTON LINER 1600 FORGED, MAHLE	DKK3,012.87
2	2281135	SET PISTON RINGS 1300 1.5/1.75/4.0mm (FOR 1 PISTON)	DKK288.78
2	2282715	SET PISTON RINGS 1600 1.5/1.75/3.5mm (FOR 1 PISTON)	On request
2	2280915	SET PISTON RINGS 1600 1.5/1.75/4.0mm (FOR 1 PISTON)	DKK277.05
2	2282235	SET PISTON RINGS 1750 1.5/1.75/3.5mm (FOR 1 PISTON)	DKK304.43
2	2282245	SET PISTON RINGS 1750 1.5/1.75/4.0mm (FOR 1 PISTON)	DKK305.17
2	2282935	SET PISTON RINGS 2000 1.5/1.75/4.0mm (FOR 1 PISTON)	DKK305.17
2	2280925	SET PISTON RINGS 2000 1.5/1.75/4.5mm (FOR 1 PISTON)	DKK286.45
2	22846440	PISTONRING SET 2.0 SPIDER IE	DKK277.05
3	2330870	O-RING LINER 1300	DKK17.97
3	2330880	O-RING LINER 1600/1750	DKK27.38
3	2330900	O-RING LINER 2000	DKK19.18
4	2212315	LINER 1600, 78 MM	DKK743.42
4	2212335	LINER 2000, 84 mm	DKK743.42
4	2212325	LINER 1750, 80 MM	DKK931.25



1	2130120	CON ROD 1300 USED (PLEASE SUBMIT THE WEIGHT YOU NEED)	On request
1	2130130	CON ROD 1600 USED (PLEASE SUBMIT THE WEIGHT YOU NEED)	On request
1	2130140	CON ROD 1750 USED (PLEASE SUBMIT THE WEIGHT YOU NEED)	On request
1	2130150	CON ROD 2000 NEW	DKK1,009.48
2	2260160	SMALL END BEARING 1300	DKK176.10
2	2261120	SMALL END BEARING 1600 - 2000	DKK160.45
3	2260200	BIG END BEARINGS (Set) 1600-2000 1. OVERSIZE 0,10	DKK485.18
3	2260220	BIG END BEARINGS (Set) 1600-2000 2. OVERSIZE 0,20	DKK485.18
3	2260780	BIG END BEARINGS (Set) 1600-2000 3. OVERSIZE 0.30	DKK485.18
3	2260180	BIG END BEARINGS (Set) 1600-2000 STANDARD	DKK485.18
3	2260190	BIG END BEARINGS (Set) 1300 1. OVERSIZE 0,10	DKK676.93
3	2260210	BIG END BEARINGS (Set) 1300 2. OVERSIZE 0,20	DKK676.93
3	2260770	BIG END BEARINGS (Set) 1300 3. OVERSIZE 0.30	DKK676.93
3	2260170	BIG END BEARINGS (Set) 1300 STANDARD	DKK676.93
3	2260150	CON ROD BEARINGS SET KING XP RACING 1600-2000, STD	DKK915.61
3	2260310	CON ROD BEARING SET XP RACING 1600-2000, 1ST OVERSIZE	DKK915.61
3	2260120	CONNECTING ROD BEARINGS SET ACL RACE SERIES STD 1600-2000 - STD SIZE	DKK856.94
3	2260121	CONNECTING ROD BEARINGS SET ACL RACE SERIES 4-LAYERS, 1600-2000 - 1ST OVERSIZE (0.10/0,25)	DKK899.96
4	2261050	CON ROD BOLT SET (2PC) 1750-2000 ALSO POSSIBLE FOR 1600	DKK155.71
5	2261080	CON ROD NUT 1600-2000	DKK38.37
6	2261380	TAB WASHER CON ROD NUT 1300	DKK9.41
6	2261390	TAB WASHER CON ROD NUT (SET 2 PCS) 1600-1750	DKK20.30

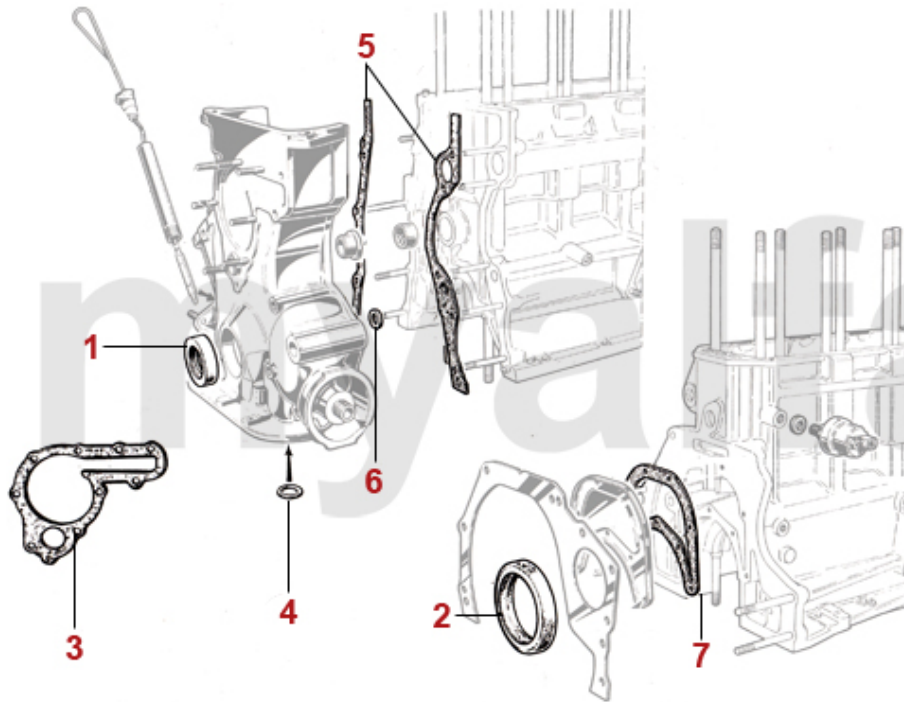
1	2280940	CRANK PULLEY NUT 1963-89	DKK152.63
1	2282690	CRANK PULLEY NUT SPIDER INJECTION MODELS 1986-93	DKK152.63
2	2280970	TAB WASHER CRANK PULLEY NUT	DKK40.70
3	2710370	ALUMINIUM PULLEY , 360 DEGREE SCALE, 125mm - BLACK	DKK1,244.24
3	2710450	OE. 60554149 PULLEY SPIDER IE 1990-93	On request
3	2710310	PULLEY STEEL 105mm - 101/105 OE-QUALITY	DKK696.48
3	2710320	PULLEY STEEL 125 MM - 105/115/116 OE-QUALITY	DKK696.48
3	2710380	ALUMINIUM PULLEY , 360 DEGREE SCALE, 105mm - BLACK	DKK1,244.24
4	2280950	ALUMINIUM PLUG CRANKSHAFT (SET 6 PCS) 6 mm DIAMETER	DKK93.87
4	2280960	ALUMINIUM PLUG CRANKSHAFT (SET 6 PCS) 6,25 mm	DKK93.87
5	2251110	CRANK SPIGOT BUSH 24 mm	DKK85.30
5	2251100	CRANK SPIGOT BUSH 20 mm / 1750 ccm	DKK85.30
6	4222790	FLYWHEEL STEEL 8 HOLE 130 TEETH 6.25 kg LIGHT WEIGHT HYDRAULIC CLUTCH	DKK5,391.84
6	4212750	FLYWHEEL STEEL 6 HOLE 130 TEETH LIGHT WEIGHT 4,60 kgHYDRAULIC CLUTCH UP TO 1989	DKK5,704.84
6	4212760	FLYWHEEL STEEL 6 HOLE STARTER RING 105 TEETH / 5,95KG CONV. 2,0 TO MECH. CLUTCH	DKK5,078.85
6	4212840	FLYWHEEL STEEL 6 HOLE SPIDER 1990-93 ORIGINAL	On request
6	4212420	FLYWHEEL MECHANICAL CLUTCH 8-HOLE 105 TEETH, LIGHT WEIGHT7 KG	DKK5,391.84
7	4233060	RING GEAR FLYWHEEL 110 TEETH HYDRAULIC CLUTCH UP TO 1969	DKK931.25
7	4233080	RING GEAR FLYWHEEL 130 TEETH HYDRAULIC CLUTCH 1969-89	DKK931.25
7	4233090	RING GEAR FOR FLYWHEEL 6 HOLE TYPE, 131 TEETH OE.60516249	DKK907.78
8	4211500	TAB WASHER SCREW FLYWHEEL (SET 4 PCS) 8 HOLE	DKK77.48
9	4211550	SCREW FLYWHEEL 6 HOLE	DKK38.74
9	4211560	SCREW FLYWHEEL 8 HOLE	DKK46.19

1	2330220	OIL SEAL CRANK SHAFT FRONT 35/50/10	DKK74.31
1	2330360	OIL SEAL CRANK SHAFT FRONT 35/50/10, ORIGINAL QUALITY	DKK139.69
2	2330600	OIL SEAL CRANK SHAFT REAR 84/105/12 SPIDER IE 1990-93 ORIGINAL QUALITY	DKK273.14
2	2330230	OIL SEAL CRANK SHAFT REAR 82/105/12 750/101/105/115/116 UP TO 1989, OEM QUALITY	DKK257.49
3	2250100	MAIN BEARINGS (Set) 1300-2000 - 1. OVERSIZE 0,10	DKK586.13
3	2250110	MAIN BEARINGS (Set) 1300-2000 2. OVERSIZE 0,20	DKK586.13
3	2250750	MAIN BEARINGS 1300-2000 3. OVERSIZE 0.30	DKK586.13
3	2250090	MAIN BEARINGS (Set) 1300-2000 STANDARD	DKK586.13
3	2250150	MAIN BEARING SET KING XP RACING 1300-2000 STD -101/105/115/116/75/155/164	DKK1,604.26
3	2250151	MAIN BEARING SET KING XP RACING 1300-2000 0.10 -101/105/115/116/75/155/164	DKK1,792.10
3	2250120	MAIN BEARING SET ACL RACE SERIES 4-LAYERS, 1300-2000 - STD SIZE	DKK1,713.78
3	2250121	MAIN BEARING SET ACL RACE SERIES 4-LAYERS 1300-2000 - 1ST OVERSIZE (0.10/0,25)	DKK1,604.26
4	2240810	SET THRUST WASHERS - 101/105/115/116/75/155/164 - STANDARD	DKK168.28
4	2240820	THRUST WASHER SET - 101/105/115/116/75/155/164 - 0.005	DKK223.03
4	2240830	THRUST WASHER SET - 101/105/115/116/75/155/164 - 0.010	DKK215.21
5	2282730	TAB WASHER SET 13 PIECES MAIN BEARING / CAMSHAFT / PULLEY	DKK168.28
6	2282700	MAIN BEARING LOCKNUT	DKK14.90
7	2251490	TAB WASHER 5th MAIN BEARING	DKK11.73
8	2331550	MAIN BEARING 'CIGARETTE' OIL SEAL	DKK30.92
9	2280160	HEX NUT FOR MAIN BEARING BRACKET	DKK7.08

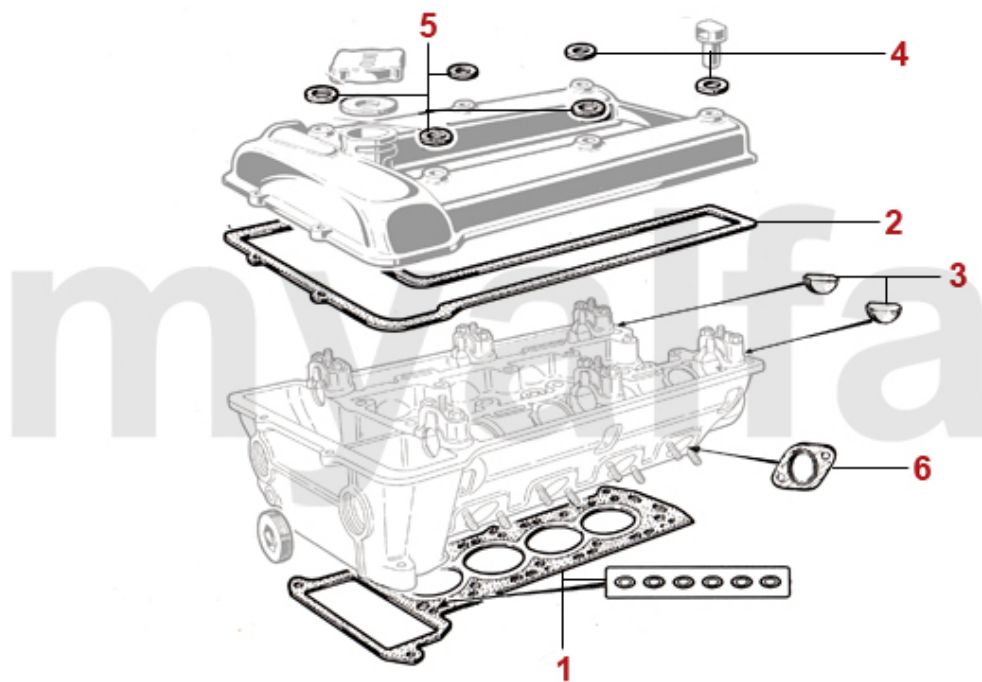


<b>1</b>	<b>2270600</b>	<b>OIL PUMP 1300-2000 ORIGINAL</b>	<b>On request</b>
<b>1</b>	<b>2270010</b>	<b>OIL PUMP 1300-2000 AFTERMARKET</b>	<b>DKK1,839.03</b>
<b>2</b>	<b>2140580</b>	<b>UPPER OIL PAN USED (WITH HOLES, NO THREAD)</b>	<b>On request</b>
<b>2</b>	<b>2142940</b>	<b>UPPER OIL PAN USED VERSION (WITH STUDS)</b>	<b>On request</b>
<b>3</b>	<b>2280590</b>	<b>LATE LOWER SUMP PAN (NOT FOR EARLY 60s MODELS)</b>	<b>DKK1,400.79</b>
<b>4</b>	<b>2280120</b>	<b>SUMP PLUG WITH MAGNET</b>	<b>DKK100.95</b>
<b>5</b>	<b>2330060</b>	<b>SUMP PLUG WASHER SUMP / TRANSMISSION / DIFFERENTIAL</b>	<b>DKK12.48</b>
<b>6</b>	<b>2280130</b>	<b>HEX BOLT FOR UPPER OILPAN PART M7x1x30</b>	<b>DKK7.45</b>
<b>7</b>	<b>2280140</b>	<b>HEX BOLT FOR UPPER OIL PAN PART M7x1x35</b>	<b>DKK7.82</b>
<b>8</b>	<b>2280150</b>	<b>HEX NUT FOR BOLT ON UPPER OILPAN PART</b>	<b>DKK4.66</b>
<b>9</b>	<b>1350620</b>	<b>SUMP GUARD YELLOW COATED</b>	<b>DKK696.48</b>

<b>1</b>	<b>2320700</b>	<b>HEAD OVERHAUL SET SPIDER INJECTION WITHOUT HEAD GASKET</b>	<b>DKK465.63</b>
<b>1</b>	<b>2321300</b>	<b>HEAD GASKET SET WITHOUT CLYINDER HEAD GASKET CARBURETTOR 1300/1600 1968&gt;</b>	<b>DKK389.73</b>
<b>1</b>	<b>2321310</b>	<b>HEAD GASKET SET WITHOUT CYLINDER HEAD GASKET CARBURETTOR 1969-82</b>	<b>DKK389.73</b>
<b>1</b>	<b>2321320</b>	<b>HEAD GASKET SET WITHOUT CYLINDER HEAD GASKET CARBURETTOR FROM 1982 ON</b>	<b>DKK430.42</b>
<b>2</b>	<b>2310310</b>	<b>ENGINE GASKET SET WITHOUT HEAD GASKET AND O-RINGS CARBURETTOR 1300/1600 &gt;1968</b>	<b>DKK618.26</b>
<b>2</b>	<b>2310320</b>	<b>ENGINE GASKET SET WITHOUT HEAD GASKET AND O-RINGS CARBURETTOR 1969-82</b>	<b>DKK618.26</b>
<b>2</b>	<b>2310330</b>	<b>ENGINE GASKET SET WITHOUT HEAD GASKET AND O-RINGS CARBURETTOR FROM 1982 ON</b>	<b>DKK665.19</b>
<b>2</b>	<b>2310340</b>	<b>ENGINE GASKET SET WITHOUT HEAD GASKET AND O-RINGS INJECTION MODELS</b>	<b>DKK696.48</b>
<b>3</b>	<b>2310350</b>	<b>MOTOR GASKET SET REINZ WITH HEADGASKET AND O-RINGS CARBURETTOR 2000</b>	<b>DKK2,261.63</b>



<b>1</b>	<b>2330220</b>	<b>OIL SEAL CRANK SHAFT FRONT 35/50/10</b>	<b>DKK74.31</b>
<b>1</b>	<b>2330360</b>	<b>OIL SEAL CRANK SHAFT FRONT 35/50/10, ORIGINAL QUALITY</b>	<b>DKK139.69</b>
<b>2</b>	<b>2330600</b>	<b>OIL SEAL CRANK SHAFT REAR 84/105/12 SPIDER IE 1990-93 ORIGINAL QUALITY</b>	<b>DKK273.14</b>
<b>2</b>	<b>2330230</b>	<b>OIL SEAL CRANK SHAFT REAR 82/105/12 750/101/105/115/116 UP TO 1989, OEM QUALITY</b>	<b>DKK257.49</b>
<b>3</b>	<b>2330470</b>	<b>WATERPUMP GASKET - 105, 115, 101 1600 - FOR MECHNICAL REV-COUNTER</b>	<b>DKK44.61</b>
<b>4</b>	<b>2330730</b>	<b>O-RING OIL PUMP</b>	<b>DKK12.94</b>
<b>5</b>	<b>2331330</b>	<b>TIMING COVER GASKET SET (5pc)</b>	<b>DKK124.42</b>
<b>6</b>	<b>2330760</b>	<b>O-RING TIMING COVER 101/105/115/116</b>	<b>DKK38.37</b>
<b>7</b>	<b>2330610</b>	<b>REAR COVER PLATE GASKET</b>	<b>DKK32.87</b>

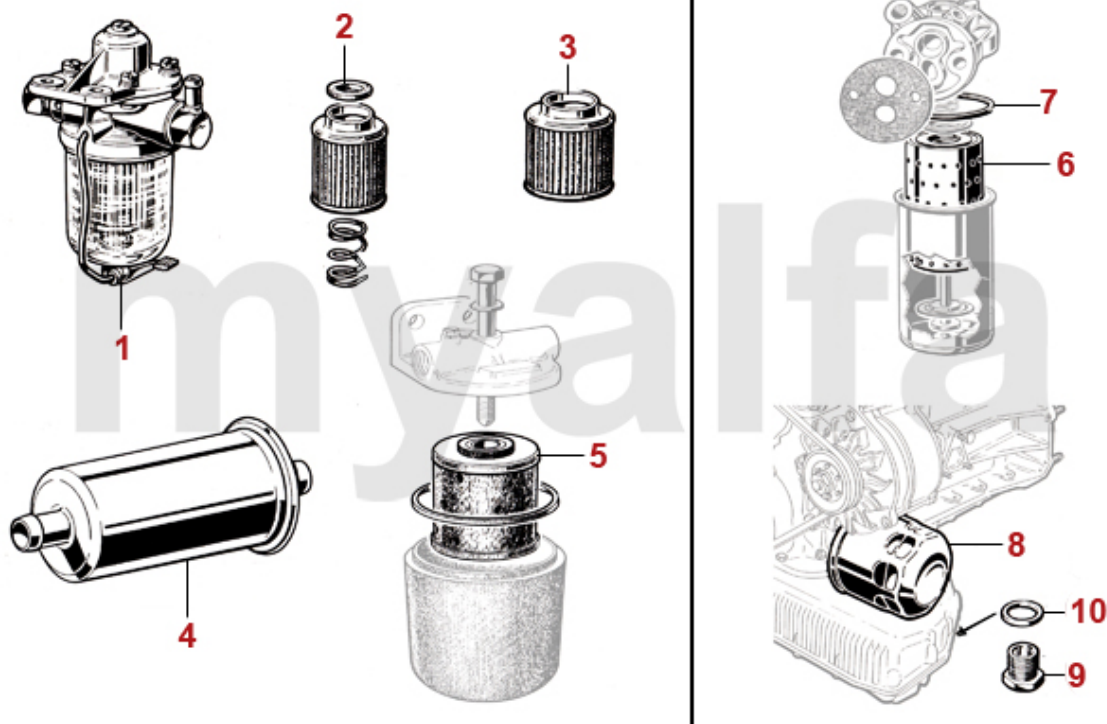


<b>1</b>	<b>2330440</b>	<b>HEAD GASKET 1600 REINZ BEST QUALITY</b>	<b>DKK390.47</b>
<b>1</b>	<b>2330450</b>	<b>HEAD GASKET 1750 REINZ BEST QUALITY</b>	<b>DKK371.76</b>
<b>1</b>	<b>2330460</b>	<b>HEAD GASKET 2000 REINZ BEST QUALITY</b>	<b>DKK434.34</b>
<b>1</b>	<b>2330690</b>	<b>HEAD GASKET 1600 COPPER - 1.85 MM</b>	<b>DKK558.75</b>
<b>1</b>	<b>2330680</b>	<b>HEAD GASKET 2000 COPPER - 1,85MM</b>	<b>DKK558.75</b>
<b>1</b>	<b>2330740</b>	<b>HEAD GASKET 1300 COPPER - 1.85MM</b>	<b>DKK508.65</b>
<b>1</b>	<b>2330430</b>	<b>HEAD GASKET 1300 REINZ BEST QUALITY</b>	<b>DKK390.47</b>
<b>1</b>	<b>2333440</b>	<b>CYLINDER HEAD GASKET 1600 PAYEN 1.9mm</b>	<b>DKK426.42</b>
<b>1</b>	<b>2333450</b>	<b>CYLINDER HEAD GASKET 1750 PAYEN 1.9mm</b>	<b>On request</b>
<b>1</b>	<b>2333460</b>	<b>CYLINDER HEAD GASKET 2000 PAYEN 1.9mm</b>	<b>DKK426.51</b>
<b>2</b>	<b>2330130</b>	<b>CAM COVER GASKET WITH SILICONE STRIP</b>	<b>DKK205.81</b>
<b>2</b>	<b>2330650</b>	<b>VALVE COVER GASKET REINZ (2mm)</b>	<b>DKK296.98</b>
<b>3</b>	<b>2330310</b>	<b>RUBBER CAM COVER REAR</b>	<b>DKK18.81</b>
<b>4</b>	<b>2330550</b>	<b>CAM COVER SCREW GASKET ALUMINIUM (SET 2PC) 750/101/102/106/105/116</b>	<b>DKK25.05</b>
<b>5</b>	<b>2330560</b>	<b>CAM COVER SCREW GASKET FIBRE</b>	<b>DKK46.19</b>
<b>6</b>	<b>3800200</b>	<b>GASKET CYLINDER HEAD / EXHAUST MANIFOLD</b>	<b>DKK28.96</b>

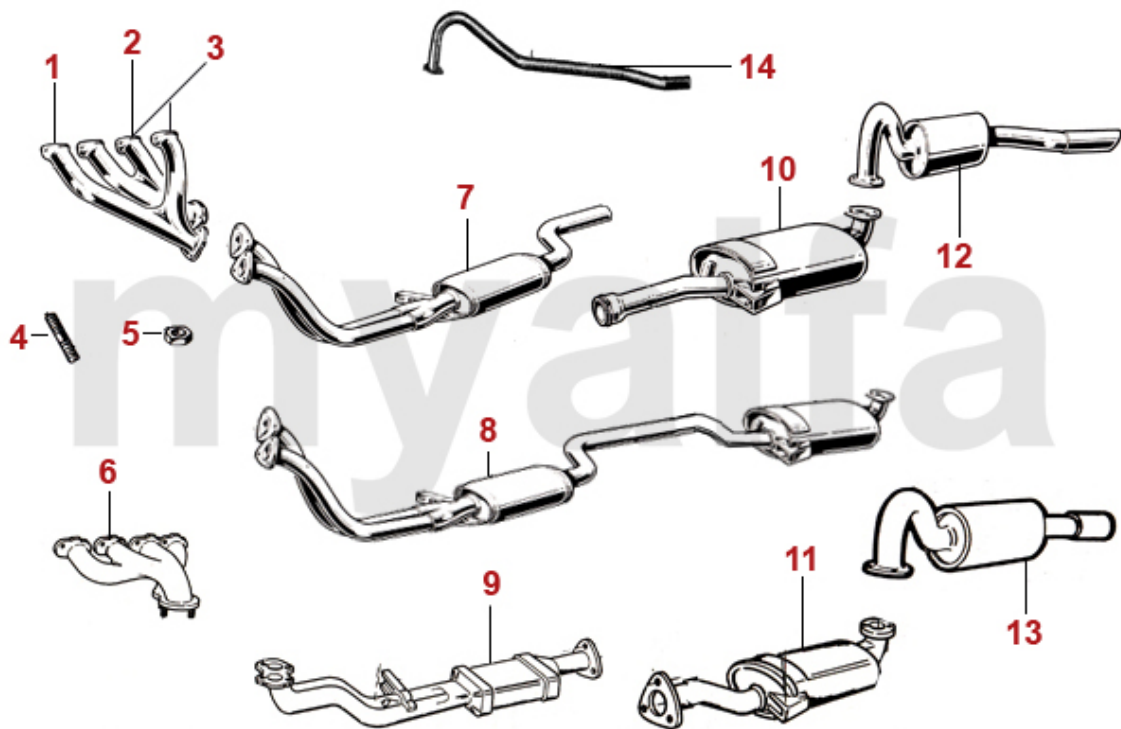
<b>1</b>	<b>2330730</b>	<b>O-RING OIL PUMP</b>	<b>DKK12.94</b>
<b>2</b>	<b>2330620</b>	<b>UPPER SUMP GASKET WITH SILICONE STRIP</b>	<b>DKK254.32</b>
<b>3</b>	<b>2330140</b>	<b>LOWER SUMP GASKET</b>	<b>DKK108.77</b>
<b>3</b>	<b>2330340</b>	<b>LOWER SUMP GASKET WITH SILICONE STRIP REINZ</b>	<b>DKK226.20</b>
<b>3</b>	<b>2330590</b>	<b>LOWER SUMP GASKET WITH SILICONE STRIP</b>	<b>DKK196.40</b>
<b>4</b>	<b>2330510</b>	<b>OIL SUMP RUBBER T-PROFILE</b>	<b>DKK37.16</b>
<b>5</b>	<b>2330060</b>	<b>SUMP PLUG WASHER SUMP / TRANSMISSION / DIFFERENTIAL</b>	<b>DKK12.48</b>



<b>1</b>	<b>2550080</b>	<b>HOSE AIR FILTER-CARBURETTOR 1300-1750 SERIES 1</b>	<b>DKK422.60</b>
<b>2</b>	<b>2580380</b>	<b>HOSE CLAMP BREVETTI ROMA BLOK 80-100mm</b>	<b>DKK230.86</b>
<b>3</b>	<b>2920030</b>	<b>AIR FILTER 1300-1750 SERIES 1 EXHAUST SIDE</b>	<b>DKK547.02</b>
<b>4</b>	<b>2330200</b>	<b>AIR BOX COVER GASKET SERIES 1, AIR FILTER ON THE LEFT SIDE</b>	<b>DKK64.16</b>
<b>5</b>	<b>2520110</b>	<b>AIR FILTER CLAMP GIULIA, GT BERTONE, SPIDER 105SERIES 1</b>	<b>DKK383.49</b>
<b>6</b>	<b>2920020</b>	<b>AIR FILTER 1300-2000 400mm</b>	<b>DKK183.92</b>
<b>6</b>	<b>2920010</b>	<b>AIR FILTER 1600-2000 350mm</b>	<b>DKK183.92</b>
<b>7</b>	<b>2520100</b>	<b>CLAMP AIR FILTER BOX</b>	<b>DKK215.21</b>
<b>8</b>	<b>2280190</b>	<b>CRANK CASE VENT HOSE CARBURETTOR MODELS</b>	<b>DKK116.59</b>
<b>9</b>	<b>2330110</b>	<b>AIR FILTER HOUSING RUBBER SEALS 2 PIECES</b>	<b>DKK77.48</b>
<b>10</b>	<b>2550090</b>	<b>HOT AIR DUCTING TUBE</b>	<b>DKK186.25</b>
<b>11</b>	<b>2920150</b>	<b>AIR FILTER SPIDER IE 1986-93/ 75 TS/IE/Turbo</b>	<b>DKK241.85</b>
<b>12</b>	<b>2920210</b>	<b>AIR FILTER SPICA 4-CYLINDER 2-teilig</b>	<b>DKK324.73</b>



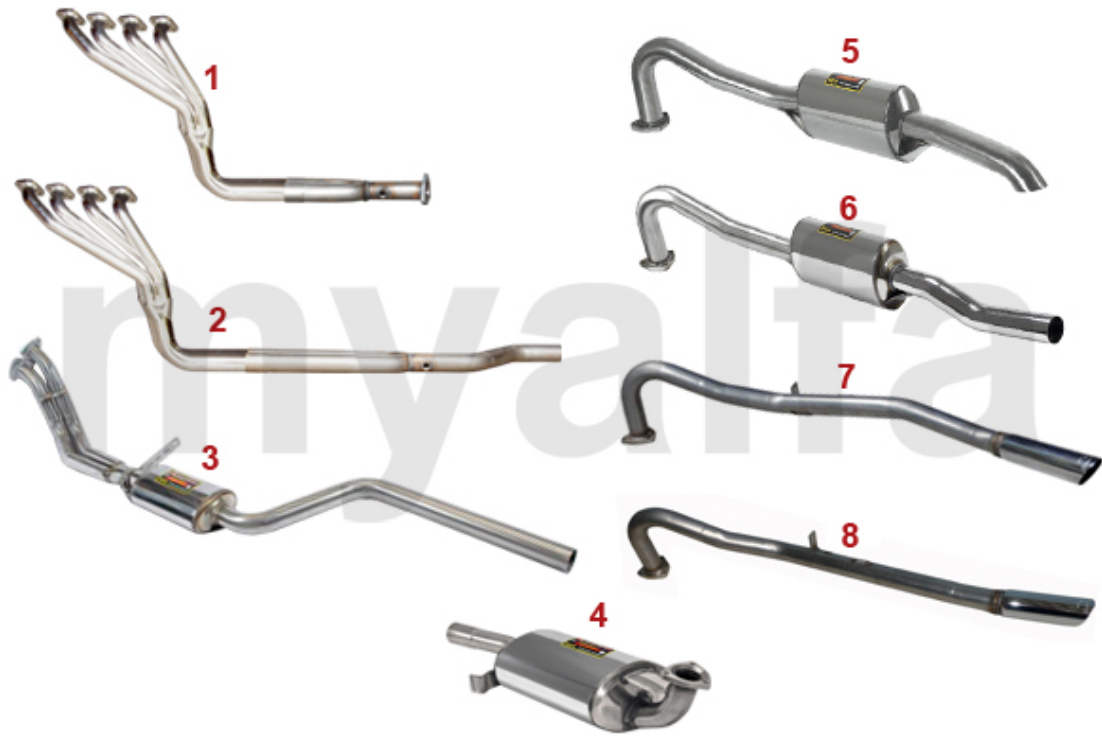
<b>1</b>	<b>2930200</b>	<b>FUEL FILTER ASSAMBLY KING ALUMINIUM WITH PRESSURE ADJUSTER SCREW</b>	<b>DKK828.72</b>
<b>1</b>	<b>2930210</b>	<b>FUEL FILTER ASSAMBLY KING GLASS WITH PRESSURE ADJUSTER SCREW</b>	<b>DKK828.72</b>
<b>2</b>	<b>2930070</b>	<b>FUEL FILTER FISPA 35 mm</b>	<b>DKK58.67</b>
<b>3</b>	<b>2930220</b>	<b>RUBBER SEAL FUEL FILTER HOUSING FISPA</b>	<b>DKK53.92</b>
<b>3</b>	<b>2930230</b>	<b>O-RING FOR KING FUEL FILTER BETWEEN CAP AND GLASS</b>	<b>DKK53.92</b>
<b>4</b>	<b>2930130</b>	<b>FUEL FILTER KING 40mm</b>	<b>DKK66.49</b>
<b>5</b>	<b>2930140</b>	<b>FUEL FILTER SPIDER 2000 IE 1986-93</b>	<b>DKK207.39</b>
<b>6</b>	<b>2930120</b>	<b>FUEL FILTER SPICA INJECTION 4-CYLINDER</b>	<b>DKK186.25</b>
<b>7</b>	<b>2910040</b>	<b>OIL FILTER CARTRIDGE INCL. SEAL RING 750, 101, 102 SERIES 2, 105, 106 - FROM 1954 TO 1970 -</b>	<b>DKK132.24</b>
<b>8</b>	<b>2910030</b>	<b>SEAL RING FOR OIL FILTER HOUSING UNTIL 1966 78MM</b>	<b>DKK30.55</b>
<b>9</b>	<b>2330820</b>	<b>GASKET OIL FILTER SUPPORT SERIES 1</b>	<b>DKK25.80</b>
<b>10</b>	<b>2910050</b>	<b>SPIN-ON STYLE OIL FILTER</b>	<b>DKK77.48</b>
<b>10</b>	<b>2910230</b>	<b>OILFILTER ORANGE - ORIGINAL RETRO DESIGN</b>	<b>DKK140.06</b>
<b>10</b>	<b>2910220</b>	<b>SPIN-ON STYLE OIL FILTER ORIGINAL Alfa Romeo</b>	<b>DKK116.59</b>
<b>11</b>	<b>2280120</b>	<b>SUMP PLUG WITH MAGNET</b>	<b>DKK100.95</b>
<b>12</b>	<b>2330060</b>	<b>SUMP PLUG WASHER SUMP / TRANSMISSION / DIFFERENTIAL</b>	<b>DKK12.48</b>
<b>13</b>	<b>2950050</b>	<b>CONVERSION KIT OILFILTER (750/101/105 1st SERIES) FROM INSET TO SCREW ON</b>	<b>DKK2,574.63</b>



<b>1</b>	<b>3110300</b>	<b>EXHAUST MANIFOLD CYLINDER 1+4 1600 - 2000 CARBURETTOR MODELS</b>	<b>On request</b>
<b>1</b>	<b>3110380</b>	<b>EXHAUST MANIFOLD CYLINDER 1/4 SPIDER 2000 IE 1990-93</b>	<b>DKK1,479.01</b>
<b>2</b>	<b>3110390</b>	<b>EXHAUST MANIFOLD CYLINDER 2/3 SPIDER 2000 IE 1990-93</b>	<b>DKK1,479.01</b>
<b>3</b>	<b>3110310</b>	<b>EXHAUST MANIFOLD SET CYLINDER 1/4 and 2/3 1600 - 2000 CARBURETTOR MODELS</b>	<b>DKK2,268.62</b>
<b>4</b>	<b>2280930</b>	<b>STUD CYLINDER HEAD / EXHAUST MANIFOLD</b>	<b>DKK17.97</b>
<b>5</b>	<b>2282610</b>	<b>COPPER NUT M 8 x 1 WRENCH SIZE 12mm EXHAUST MANIFOLD</b>	<b>DKK7.45</b>
<b>5</b>	<b>2281280</b>	<b>BRASS NUT EXHAUST MANIFOLD M 8 x 1 WRENCH SIZE 13 mm</b>	<b>DKK17.97</b>
<b>6</b>	<b>3110370</b>	<b>EXHAUST MANIFOLD ONE PIECE SPIDER 1986-89 INJECTION</b>	<b>DKK2,339.86</b>
<b>7</b>	<b>3310760</b>	<b>FRONT EXHAUST SECTION 1750 STANDING PEDALS</b>	<b>DKK1,635.55</b>
<b>7</b>	<b>3310520</b>	<b>FRONT EXHAUST SECTION 1300-1600 STANDING PEDALS</b>	<b>DKK1,134.73</b>
<b>7</b>	<b>3310560</b>	<b>FRONT EXHAUST SECTION SPIDER HANGING PEDALS WITHOUT CATALYST</b>	<b>DKK1,087.79</b>
<b>8</b>	<b>34114509</b>	<b>FRONT AND MIDDLE EXHAUST SECTION SPIDER 1990-93 WITHOUT CATALYST</b>	<b>DKK2,465.11</b>
<b>9</b>	<b>3210410</b>	<b>CATALYST SPIDER 1990-93</b>	<b>DKK8,044.79</b>
<b>9</b>	<b>3210490</b>	<b>CATALYST SPIDER 1986-89 ONE PIECE EXHAUST MANIFOLD</b>	<b>DKK7,559.52</b>
<b>10</b>	<b>3410290</b>	<b>MIDDLE EXHAUST SECTION SPIDER HANGING PEDALS / WITHOUT CATALYST</b>	<b>DKK778.62</b>
<b>10</b>	<b>3410780</b>	<b>MIDDLE EXHAUST SECTION SPIDER STANDING PEDALS</b>	<b>DKK931.25</b>
<b>11</b>	<b>3410350</b>	<b>MIDDLE EXHAUST SECTION SPIDER 1986-89 WITH CATALYST</b>	<b>DKK1,079.97</b>
<b>11</b>	<b>3410360</b>	<b>MIDDLE EXHAUST SECTION SPIDER 1990-93 WITH CATALYST</b>	<b>DKK931.25</b>
<b>12</b>	<b>3510200</b>	<b>REAR EXHAUST SECTION SPIDER 1966-69</b>	<b>DKK1,072.15</b>
<b>12</b>	<b>3510210</b>	<b>REAR EXHAUST SECTION SPIDER 1970-82</b>	<b>DKK845.20</b>
<b>12</b>	<b>3520320</b>	<b>REAR EXHAUST SECTION SPORT SPIDER 1970-93 (70mm REAR EXHAUST) PIPE WITH GERMAN TÜV</b>	<b>DKK2,652.85</b>
<b>13</b>	<b>3510230</b>	<b>REAR EXHAUST SECTION SPIDER 1983-89</b>	<b>DKK931.25</b>
<b>13</b>	<b>3510240</b>	<b>REAR EXHAUST SECTION SPIDER 1987-89 2.0 QV, ZENDER (WITH REAR BUMPER), SPIDER SERIES 4 1990-93</b>	<b>DKK1,346.03</b>

<b>14</b>	<b>3520240</b>	<b>REAR EXHAUST PIPE GIULIA / BERONE GT / SPIDER - 82 / BERLINA</b>	<b>DKK853.03</b>
<b>14</b>	<b>3520460</b>	<b>REAR EXHAUST PIPE SPIDER 1970-93</b>	<b>DKK723.86</b>
<b>14</b>	<b>3520250</b>	<b>SPORT EXHAUST PIPE STAINLESS STEEL GIULIA / BERONE GT / SPIDER - 82 / BERLINA</b>	<b>DKK931.25</b>
<b>14</b>	<b>3520450</b>	<b>SPORT EXHAUST PIPE STAINLESS STEEL SPIDER 1983-93</b>	<b>DKK853.03</b>

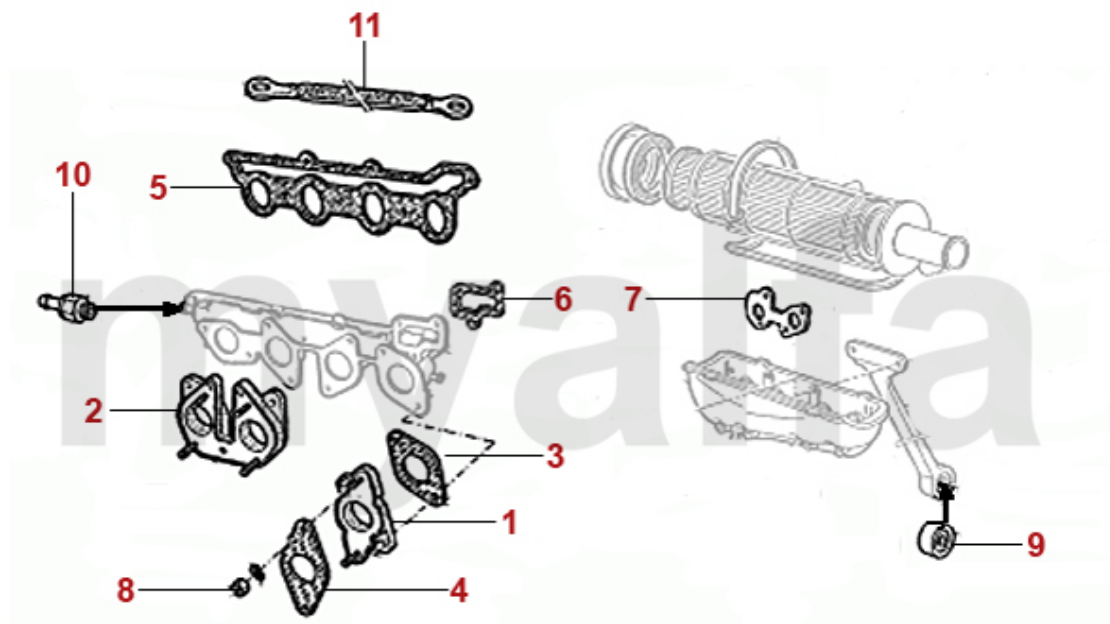
<b>1</b>	<b>3800200</b>	<b>GASKET CYLINDER HEAD / EXHAUST MANIFOLD</b>	<b>DKK28.96</b>
<b>2</b>	<b>3800210</b>	<b>EXHAUST MANIFOLD TO DOWNPIPE GASKET</b>	<b>DKK32.87</b>
<b>3</b>	<b>3800470</b>	<b>GASKET ONE PIECE EXHAUST / FRONT EXHAUST SECTION</b>	<b>DKK78.23</b>
<b>4</b>	<b>3800590</b>	<b>GASKET CATALYST / MIDDLE EXHAUST SECTION SPIDER 1986-93</b>	<b>DKK53.17</b>
<b>5</b>	<b>3800270</b>	<b>O-RING MIDDLE EXHAUST / REAR EXHAUST</b>	<b>DKK46.19</b>
<b>6</b>	<b>1190850</b>	<b>FRONT EXHAUST HEAT PROTECTION PLATE 1970-89 W/O CATALYST</b>	<b>DKK430.42</b>
<b>7</b>	<b>1190840</b>	<b>FRONT EXHAUST HEAT PROTECTION PLATE SPIDER 1970-89</b>	<b>DKK430.42</b>
<b>8</b>	<b>3800400</b>	<b>UPPER GEARBOX EXHAUST BRACKET</b>	<b>DKK387.40</b>
<b>9</b>	<b>3800450</b>	<b>LOWER GEARBOX EXHAUST BRACKET HANGING PEDALS</b>	<b>DKK383.49</b>
<b>9</b>	<b>3800420</b>	<b>LOWER GEARBOX EXHAUST BRACKET STANDING PEDALS</b>	<b>DKK665.19</b>
<b>10</b>	<b>3800280</b>	<b>GEARBOX EXHAUST HANGER BUSH</b>	<b>DKK74.31</b>
<b>11</b>	<b>3900330</b>	<b>EXHAUST CLAMP</b>	<b>DKK26.63</b>
<b>12</b>	<b>3800260</b>	<b>EXHAUST RUBBER HANGER</b>	<b>DKK39.11</b>
<b>13</b>	<b>3800500</b>	<b>SET JACKET EXHAUST HANGER RUBBERS (2PC)</b>	<b>DKK45.26</b>
<b>14</b>	<b>3800510</b>	<b>EXHAUST HANGER RUBBER WASHER (SET 2)</b>	<b>DKK85.30</b>
<b>15</b>	<b>3800250</b>	<b>EXHAUST MAOUNTING KIT CARBURETTOR MODELS</b>	<b>DKK258.24</b>
<b>16</b>	<b>3700420</b>	<b>LAMBDA PROBE SPIDER 1990-93</b>	<b>DKK696.48</b>
<b>16</b>	<b>3700480</b>	<b>LAMBDA PROBE SPIDER 1986-89</b>	<b>DKK1,011.90</b>



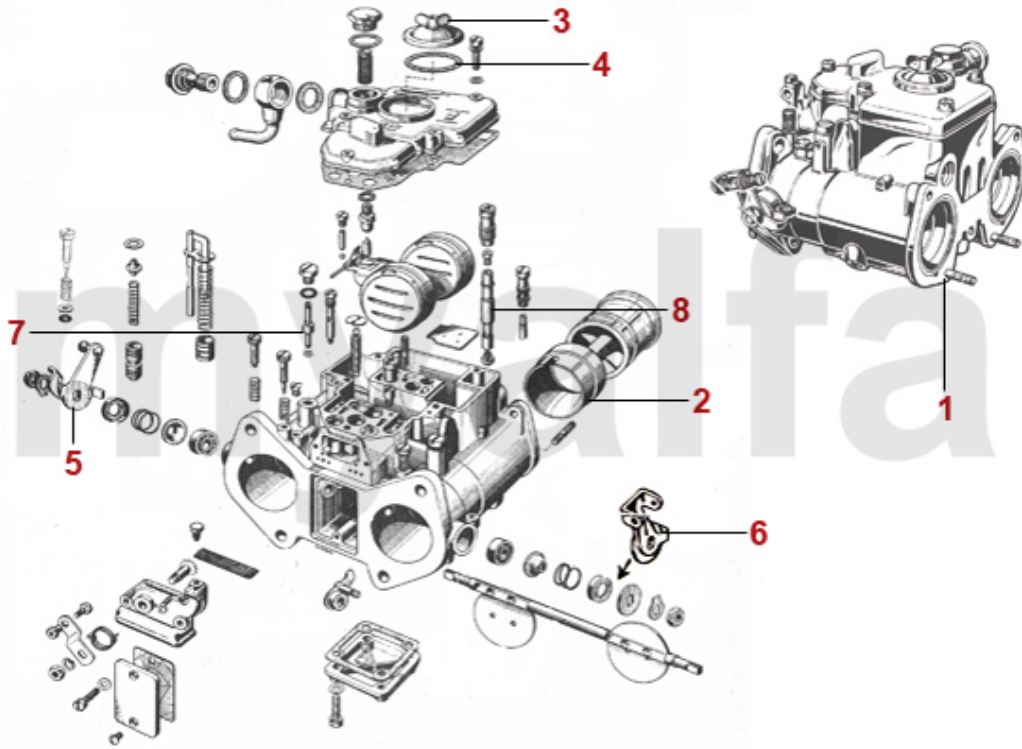
<b>0</b>	<b>3121050</b>	<b>EXHAUST SYSTEM, 60mm/V1A ALUMINIZED ORIG. RETRO LOOK</b>	<b>DKK7,661.30</b>
<b>4</b>	<b>3520240</b>	<b>REAR EXHAUST PIPE GIULIA / BERONE GT / SPIDER - 82 / BERLINA</b>	<b>DKK853.03</b>
<b>4</b>	<b>3520460</b>	<b>REAR EXHAUST PIPE SPIDER 1970-93</b>	<b>DKK723.86</b>
<b>4</b>	<b>3520250</b>	<b>SPORT EXHAUST PIPE STAINLESS STEEL GIULIA / BERONE GT / SPIDER - 82 / BERLINA</b>	<b>DKK931.25</b>
<b>4</b>	<b>3520450</b>	<b>SPORT EXHAUST PIPE STAINLESS STEEL SPIDER 1983-93</b>	<b>DKK853.03</b>
<b>5</b>	<b>3520320</b>	<b>REAR EXHAUST SECTION SPORT SPIDER 1970-93 (70mm REAR EXHAUST) PIPE WITH GERMAN TÜV</b>	<b>DKK2,652.85</b>

1	2520170	SINGLE CARBURETTOR RUBBER MOUNT 40 mm PREMIUM QUALITY	DKK269.97
1	2520190	SINGLE CARBURETTOR RUBBER MOUNT 40 mm STANDARD QUALITY	On request
1	2520750	SET SOLID ALUMINIUM CARBURETTOR MOUNTS 40mm	DKK1,290.43
2	2520180	DOUBLE CARBURETTOR RUBBER MOUNT 40 mm PREMIUM QUALITY	DKK461.71
3	2330350	HD CARBURETTOR MOUNT GASKET (8 PCS) 40 mm REINFORCED	DKK85.30
4	2330160	INTAKE MANIFOLD GASKET 1600-2000 CARBURETTOR MODELS FROM 1968 ON	DKK106.44
4	2330780	INTAKE MANIFOLD GASKET 1300 FROM 1968 ON	DKK121.34
4	2330100	INTAKE MANIFOLD GASKET 1600-2000 CARBURETTOR MODELS REINZ (WITHOUT METALL INLAY)	DKK151.05
4	2330800	INTAKE MANIFOLD GASKET 1300/1600 UNTIL 1968	DKK147.88
5	2330520	CARBURETTOR TO AIRBOX GASKET	DKK25.80
6	6710630	VACUUM NON RETURN VALVE BRAKE BOOSTER (M16x1,5)	DKK359.18
6	6710620	VACUUM NON RETURN VALVE BRAKE BOOSTER (5/8" INCH)	DKK359.18
7	2521050	HEATER HOSE VACUUM TAP INTAKE MANIFOLD 105/115 6mm	DKK144.81
8	2281270	STEEL NUT INTAKE MANIFOLD M 8 x 1 WRENCH SIZE 12 mm	DKK7.08
9	2510640	CARBURETTOR STAY BUSH	DKK70.40
10	8701070	GROUND STRAP CARBURETTOR TO BODY 120 mm	DKK61.84

<b>1</b>	<b>2520340</b>	<b>CARBURETTOR RUBBER MOUNT 45 mm</b>	<b>DKK273.88</b>
<b>2</b>	<b>2330770</b>	<b>HD CARBURETTOR MOUNT GASKET 45 mm TS-9003</b>	<b>DKK13.69</b>
<b>3</b>	<b>2330160</b>	<b>INTAKE MANIFOLD GASKET 1600-2000 CARBURETTOR MODELS FROM 1968 ON</b>	<b>DKK106.44</b>
<b>3</b>	<b>2330780</b>	<b>INTAKE MANIFOLD GASKET 1300 FROM 1968 ON</b>	<b>DKK121.34</b>
<b>3</b>	<b>2330100</b>	<b>INTAKE MANIFOLD GASKET 1600-2000 CARBURETTOR MODELS REINZ (WITHOUT METALL INLAY)</b>	<b>DKK151.05</b>
<b>3</b>	<b>2330800</b>	<b>INTAKE MANIFOLD GASKET 1300/1600 UNTIL 1968</b>	<b>DKK147.88</b>
<b>4</b>	<b>2330200</b>	<b>AIR BOX COVER GASKET SERIES 1, AIR FILTER ON THE LEFT SIDE</b>	<b>DKK64.16</b>
<b>5</b>	<b>2330520</b>	<b>CARBURETTOR TO AIRBOX GASKET</b>	<b>DKK25.80</b>
<b>6</b>	<b>2510640</b>	<b>CARBURETTOR STAY BUSH</b>	<b>DKK70.40</b>
<b>7</b>	<b>2521050</b>	<b>HEATER HOSE VACUUM TAP INTAKE MANIFOLD 105/115 6mm</b>	<b>DKK144.81</b>
<b>8</b>	<b>6710630</b>	<b>VACUUM NON RETURN VALVE BRAKE BOOSTER (M16x1,5)</b>	<b>DKK359.18</b>
<b>8</b>	<b>6710620</b>	<b>VACUUM NON RETURN VALVE BRAKE BOOSTER (5/8" INCH)</b>	<b>DKK359.18</b>
<b>9</b>	<b>8701070</b>	<b>GROUND STRAP CARBURETTOR TO BODY 120 mm</b>	<b>DKK61.84</b>
<b>10</b>	<b>2281270</b>	<b>STEEL NUT INTAKE MANIFOLD M 8 x 1 WRENCH SIZE 12 mm</b>	<b>DKK7.08</b>
<b>11</b>	<b>2630010</b>	<b>VENT SCREW COOLANT INTAKE MANIFOLD/THERMOSTAT</b>	<b>DKK61.84</b>
<b>12</b>	<b>2630020</b>	<b>SEAL RING FOR VENT SCREW</b>	<b>DKK3.54</b>



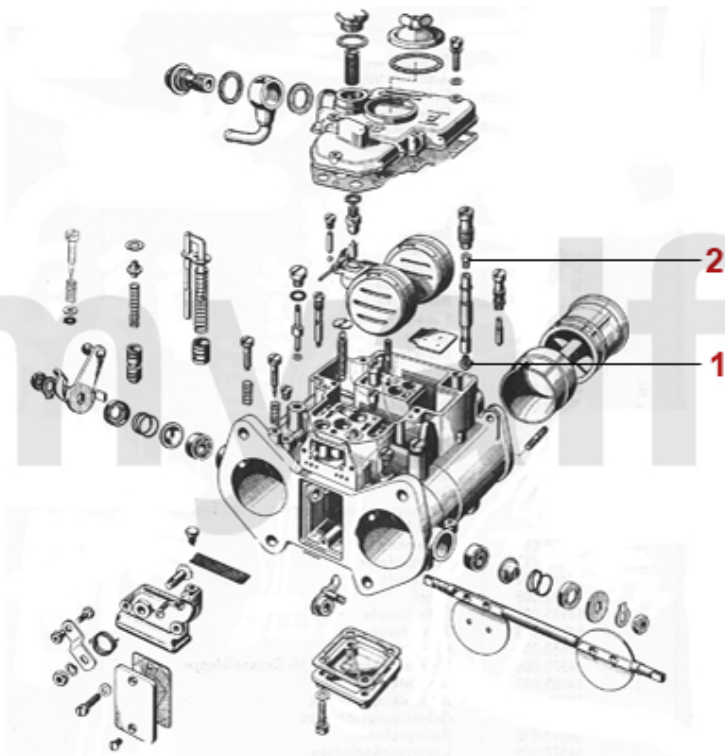
<b>1</b>	<b>2522383</b>	<b>SINGLE CARBURETTOR RUBBER MOUNT 40 mm, 116 4-CYLINDER 06/1983&gt;, SPIDER 1600 1990-93 PREMIUM QUALITY</b>	<b>DKK372.50</b>
<b>2</b>	<b>2522384</b>	<b>DOUBLE CARBURETTOR RUBBER MOUNT 40 mm. 116 4-CYLINDER 06.1983&gt;, SPIDER 1600 1990-93 PREMIUM QUALITY</b>	<b>DKK696.48</b>
<b>3</b>	<b>23318080</b>	<b>GASKET CARBURETTOR RUBBER MOUNT / INTAKE MANIFOLD SPIDER 1600 1990-93</b>	<b>DKK11.73</b>
<b>4</b>	<b>2330350</b>	<b>HD CARBURETTOR MOUNT GASKET (8 PCS) 40 mm REINFORCED</b>	<b>DKK85.30</b>
<b>5</b>	<b>23358501</b>	<b>INTAKE MANIFOLD GASKET SPIDER 1600 1990-93</b>	<b>DKK147.88</b>
<b>6</b>	<b>2337703</b>	<b>GASKET INTAKE MANIFOLD</b>	<b>DKK38.74</b>
<b>7</b>	<b>2330520</b>	<b>CARBURETTOR TO AIRBOX GASKET</b>	<b>DKK25.80</b>
<b>8</b>	<b>2281270</b>	<b>STEEL NUT INTAKE MANIFOLD M 8 x 1 WRENCH SIZE 12 mm</b>	<b>DKK7.08</b>
<b>9</b>	<b>2510640</b>	<b>CARBURETTOR STAY BUSH</b>	<b>DKK70.40</b>
<b>10</b>	<b>6710630</b>	<b>VACUUM NON RETURN VALVE BRAKE BOOSTER (M16x1,5)</b>	<b>DKK359.18</b>
<b>10</b>	<b>6710620</b>	<b>VACUUM NON RETURN VALVE BRAKE BOOSTER (5/8" INCH)</b>	<b>DKK359.18</b>
<b>11</b>	<b>8701070</b>	<b>GROUND STRAP CARBURETTOR TO BODY 120 mm</b>	<b>DKK61.84</b>



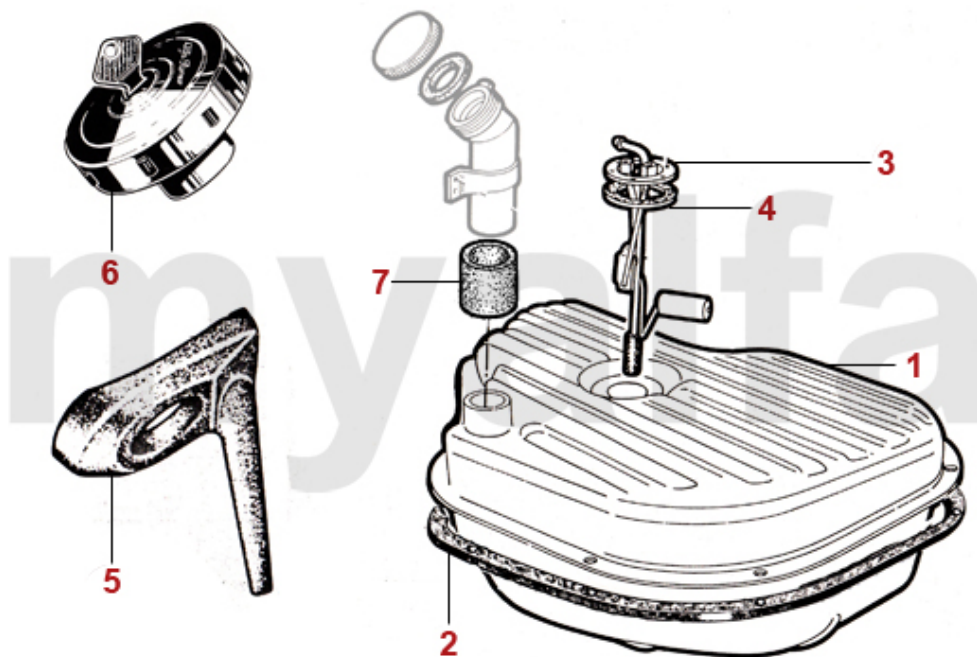
<b>1</b>	<b>2511470</b>	<b>WEBER 45 DCOE 152</b>	<b>DKK5,861.38</b>
<b>1</b>	<b>2511440</b>	<b>WEBER 40 DCOE 151 (SET 2 pc.), 1300</b>	<b>DKK12,513.21</b>
<b>1</b>	<b>2511450</b>	<b>WEBER 40 DCOE 151 (SET 2 pc.), 1600</b>	<b>DKK12,513.21</b>
<b>1</b>	<b>2511460</b>	<b>WEBER 40 DCOE 151 (SET 2 pc.), 2000</b>	<b>DKK12,513.21</b>
<b>1</b>	<b>2511490</b>	<b>WEBER 40 DCOE 151 (SET 2 pc.). 1750/1800</b>	<b>DKK12,513.21</b>
<b>2</b>	<b>2524670</b>	<b>OUTER VENTURI 40DCOE 34mm</b>	<b>DKK359.18</b>
<b>3</b>	<b>2521770</b>	<b>JET COVER WEBER DCOE</b>	<b>DKK269.97</b>
<b>4</b>	<b>2333020</b>	<b>JET COVER GASKET WEBER DCOE</b>	<b>DKK27.38</b>
<b>5</b>	<b>2523040</b>	<b>CONNECTION ARM WEBER DCOE REAR</b>	<b>DKK432.75</b>
<b>6</b>	<b>2523030</b>	<b>CONNECTION ARM WEBER DCOE FRONT</b>	<b>DKK352.94</b>
<b>7</b>	<b>2523010</b>	<b>PUMP JET 35 WEBER DCOE 40</b>	<b>DKK116.97</b>
<b>8</b>	<b>2522990</b>	<b>EMULSION TUBE F 16 WEBER DCOE 40</b>	<b>DKK254.32</b>
<b>8</b>	<b>2523000</b>	<b>EMULSION TUBE F 9 WEBER DCOE 40</b>	<b>DKK254.32</b>



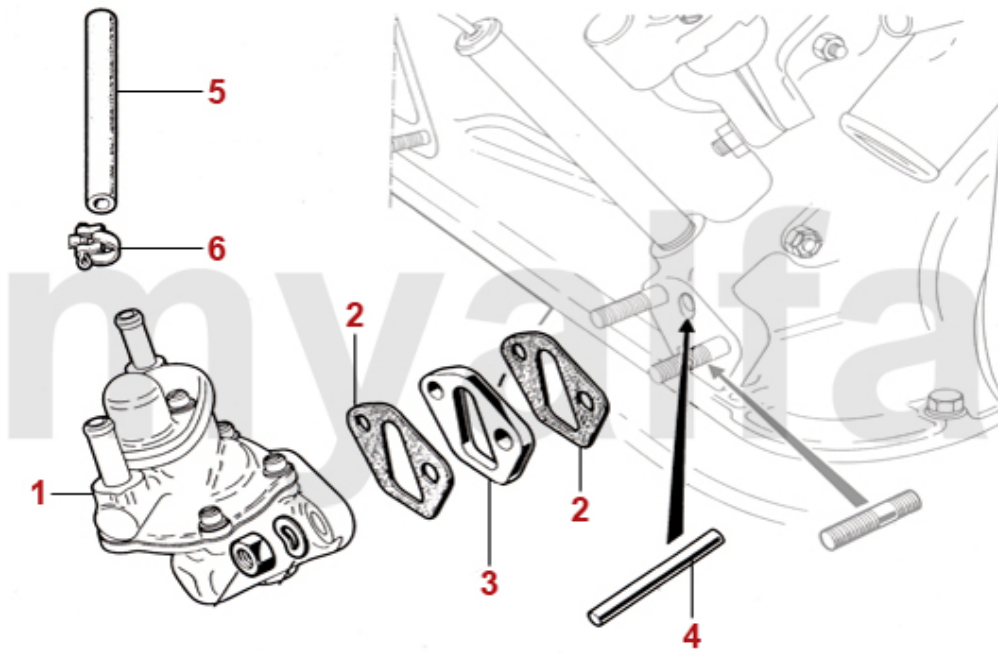
<b>1</b>	<b>2520720</b>	<b>GASKET KIT WEBER 40 DCOE (FOR 2 CARBURETTORS INCLUDING NEEDLE VALVES)</b>	<b>DKK465.63</b>
<b>1</b>	<b>2523100</b>	<b>GASKET KIT WEBER DCOE 151/152 (FOR 1 CARBURETTOR WITH BRASS FLOAT) WITHOUT FLOAT NV 150</b>	<b>DKK305.17</b>
<b>1</b>	<b>2523130</b>	<b>GASKET KIT WEBER 40/45 DCOE 151/152 (FOR 1 CARBURETTOR WITH PLASTIC FLOAT) NV 200</b>	<b>DKK305.17</b>
<b>2</b>	<b>2520730</b>	<b>GASKET KIT DELLORTO (FOR 2 CARBURETTORS INCLUDING NEEDLE VALVES)</b>	<b>DKK618.26</b>
<b>3</b>	<b>2520740</b>	<b>GASKET KIT SOLEX ADDHE 32 (FOR 2 CARBURETTORS INCLUDING NEEDLE VALVES)</b>	<b>DKK508.65</b>
<b>4</b>	<b>2522060</b>	<b>GASKET KIT SOLEX ADDHE 20/24/29 (FOR 2 CARBURETTORS INCLUDING NEEDLE VALVES)</b>	<b>DKK465.63</b>
<b>5</b>	<b>2522050</b>	<b>GASKET KIT SOLEX 40 DDH 3/5/7/8 (FOR 2 CARBURETTORS INCLUDING NEEDLE VALVES)</b>	<b>DKK508.65</b>



1	2524000	MAIN JET 110 WEBER DCOE	DKK69.66
1	2524010	MAIN JET 115 WEBER DCOE	DKK69.66
1	2524040	MAIN JET 130 WEBER DCOE	DKK69.66
1	2524050	MAIN JET 135 WEBER DCOE	DKK69.66
1	2524060	MAIN JET 140 WEBER DCOE	DKK69.66
1	2524070	MAIN JET 145 WEBER DCOE	DKK69.66
1	2524080	MAIN JET 150 WEBER DCOE	DKK69.66
1	2524090	MAIN JET 155 WEBER DCOE	DKK69.66
1	2524100	MAIN JET 160 WEBER DCOE	DKK57.09
1	2524110	MAIN JET 165 WEBER DCOE	DKK57.09
1	2524120	MAIN JET 170 WEBER DCOE	DKK57.09
1	2524130	MAIN JET 175 WEBER DCOE	DKK57.09
1	2524140	MAIN JET 180 WEBER DCOE	DKK57.09
2	2524500	AIR CORRECTION JET 150 WEBER DCOE	DKK69.66
2	2524510	AIR CORRECTION JET 155 WEBER DCOE	DKK69.66
2	2524520	AIR CORRECTION JET 160 WEBER DCOE	DKK69.66
2	2524530	AIR CORRECTION JET 165 WEBER DCOE	DKK69.66
2	2524540	AIR CORRECTION JET 175 WEBER DCOE	On request
2	2524550	AIR CORRECTION JET 180 WEBER DCOE	DKK69.66
2	2524560	AIR CORRECTION JET 185 WEBER DCOE	DKK69.66
2	2524570	AIR CORRECTION JET 190 WEBER DCOE	DKK69.66
2	2524580	AIR CORRECTION JET 195 WEBER DCOE	DKK69.66
2	2524600	AIR CORRECTION JET 205 WEBER DCOE	DKK57.09
2	2524610	AIR CORRECTION JET 210 WEBER DCOE	DKK57.09
2	2524620	AIR CORRECTION JET 220 WEBER DCOE	DKK57.09
2	2524630	AIR CORRECTION JET 245 WEBER DCOE	DKK57.09



<b>1</b>	<b>2580050</b>	<b>FUEL TANK SPIDER 1300-1750 1966-69</b>	<b>DKK2,965.94</b>
<b>1</b>	<b>2580040</b>	<b>FUEL TANK SPIDER 2000 CARBURETTOR / 1600 1978-93</b>	<b>DKK2,261.63</b>
<b>1</b>	<b>2580140</b>	<b>FUEL TANK SPIDER 1300-1750 1970-77</b>	<b>DKK2,026.87</b>
<b>2</b>	<b>2580210</b>	<b>FUEL TANK SEAL 2,25 m ON A ROLL</b>	<b>DKK58.67</b>
<b>2</b>	<b>2580220</b>	<b>TANK RUBBER SEAL PREFORMED</b>	<b>DKK195.66</b>
<b>3</b>	<b>8650110</b>	<b>TANK SENDER JAEGER GAUGES 170 mm TUBE WITH RUBBER GASKET</b>	<b>DKK539.94</b>
<b>3</b>	<b>8650120</b>	<b>TANK SENDER VEGLIA GAUGES 170 mm TUBE WITH RUBBER GASKET</b>	<b>DKK539.94</b>
<b>3</b>	<b>8650220</b>	<b>TANK SENDER VEGLIA/JAEGER 230 mm TUBE WITH RUBBER GASKET</b>	<b>DKK539.94</b>
<b>4</b>	<b>8650190</b>	<b>RUBBER GASKET TANK SENDER</b>	<b>DKK38.37</b>
<b>5</b>	<b>2580180</b>	<b>COVER FOR TANK SENDER 105/115 CARBURETOR MODELS</b>	<b>DKK450.73</b>
<b>6</b>	<b>2580760</b>	<b>FUEL FILLER NECK SEAL SPIDER</b>	<b>DKK539.94</b>
<b>7</b>	<b>2580080</b>	<b>FUEL CAP BAYONET VERSION LOCKABLE</b>	<b>DKK234.02</b>
<b>7</b>	<b>2580090</b>	<b>FUEL CAP SCREW VERSION LOCKABLE 1982</b>	<b>DKK234.02</b>
<b>7</b>	<b>2580200</b>	<b>FUEL CAP BAYONET VERSION, CHROME - 1900/750/101/102/105/106 - OILFILLER CAP 1900/102</b>	<b>DKK187.00</b>
<b>8</b>	<b>2580070</b>	<b>FILLER NECK HOSE SPIDER 45 mm</b>	<b>DKK97.78</b>



<b>1</b>	<b>2530100</b>	<b>FUEL PUMP CARBURETTOR MODELS</b>	<b>DKK382.65</b>
<b>2</b>	<b>2330480</b>	<b>FUEL PUMP GASKET</b>	<b>DKK18.81</b>
<b>3</b>	<b>2330490</b>	<b>PLASTIC SPACER FUEL PUMP</b>	<b>DKK38.37</b>
<b>4</b>	<b>2530300</b>	<b>FUEL PUMP ROD SERIES 2</b>	<b>On request</b>
<b>5</b>	<b>2571510</b>	<b>FUEL HOSE 8mm ,1m CUT PIECE</b>	<b>DKK58.67</b>
<b>5</b>	<b>2572150</b>	<b>FUEL HOSE 8mm ,STAINLESS STEEL 1m CUT PIECE</b>	<b>DKK61.84</b>
<b>6</b>	<b>2570310</b>	<b>FUEL HOSE CLAMP</b>	<b>DKK10.99</b>

<b>1</b>	<b>2530360</b>	<b>ELECTRICAL FUEL PUMP PIERBURG</b>	<b>DKK1,056.04</b>
<b>1</b>	<b>2530340</b>	<b>ELECTRICAL FUEL PUMP MITSUBA-REPLIKA</b>	<b>On request</b>
<b>1</b>	<b>2530380</b>	<b>FUEL PUMP FACET RED TOP COMPETITION KIT (152 L/H)</b>	<b>DKK1,997.90</b>
<b>1</b>	<b>2530390</b>	<b>ELECTRIC FUEL PUMP HARDI 0,28-0,35 Bar, 100 - 130 L/h 8mm ADJUSTABLE SUPPORT</b>	<b>DKK1,087.79</b>
<b>2</b>	<b>8421000</b>	<b>SAFETY RELAY FOR ELECTRICAL FUEL PUMP</b>	<b>DKK539.94</b>
<b>3</b>	<b>8421010</b>	<b>RELAY SOCKET FOR 8421000 (SECURITY RELAY UPGRADE ELECTRIC FUEL PUMP)</b>	<b>On request</b>



**1 9820310 SYNCHRO TESTER**

**DKK531.37**

**2 9820320 ADAPTER SYNCHRO TESTER**

**DKK273.14**

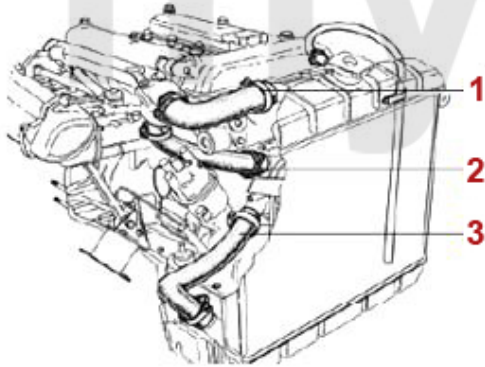
<b>1</b>	<b>2580240</b>	<b>FUEL TANK SPIDER 2000 IE 1986-93 BOSCH FUEL INJECTION</b>	<b>DKK2,261.63</b>
<b>1</b>	<b>2580060</b>	<b>FUEL TANK SPIDER SPICA FUEL INJECTION, 55MM DIAMETER FILLER NECK</b>	<b>DKK3,044.16</b>
<b>2</b>	<b>2580210</b>	<b>FUEL TANK SEAL 2,25 m ON A ROLL</b>	<b>DKK58.67</b>
<b>2</b>	<b>2580220</b>	<b>TANK RUBBER SEAL PREFORMED</b>	<b>DKK195.66</b>
<b>3</b>	<b>8650290</b>	<b>TANK SENDER SPIDER 2000 IE 1986-93 80 mm TUBE WITH RUBBER GASKET</b>	<b>DKK774.71</b>
<b>4</b>	<b>8650190</b>	<b>RUBBER GASKET TANK SENDER</b>	<b>DKK38.37</b>
<b>5</b>	<b>2580190</b>	<b>CONNECTION PIECE FUEL SENDER / FUEL PUMP SPIDER 1987 UP TO 1993 INJECTION MODEL, 75 4-CYLINDER IE</b>	<b>DKK191.74</b>
<b>6</b>	<b>2530260</b>	<b>IN TANK FUEL PUMP SPIDER 2000 IE 1986-93</b>	<b>DKK1,009.48</b>
<b>7</b>	<b>2530270</b>	<b>ELECTRICAL FUEL PUMP SPIDER 2000 IE 1986-93, ALFA 75 IE</b>	<b>DKK1,134.73</b>
<b>8</b>	<b>2930140</b>	<b>FUEL FILTER SPIDER 2000 IE 1986-93</b>	<b>DKK207.39</b>
<b>9</b>	<b>2580150</b>	<b>FILLER NECK HOSE SPIDER 58 mm SPICA FUEL INJECTION</b>	<b>DKK266.06</b>
<b>10</b>	<b>2580230</b>	<b>FUEL CAP SPIDER 2000 IE FROM 03.1992 ON</b>	<b>On request</b>

<b>1</b>	<b>2281860</b>	<b>BREATHER HOSE SEPARATOR / PLENUM SPIDER 2000 IE 1990-93</b>	<b>DKK250.41</b>
<b>2</b>	<b>2281850</b>	<b>BREATHER HOSE CAM COVER / SEPARATOR SPIDER 2000 IE 1990-93</b>	<b>DKK217.54</b>
<b>3</b>	<b>2561820</b>	<b>FUEL INJECTOR SPIDER 2000 IE 1986-93</b>	<b>On request</b>
<b>4</b>	<b>2331830</b>	<b>SET O-RINGS (SET) INJECTION JET</b>	<b>DKK116.59</b>
<b>5</b>	<b>2550720</b>	<b>HOSE INTAKE MANIFPLD / AIR BOX SPIDER 2000 IE 1990-93</b>	<b>DKK85.68</b>
<b>6</b>	<b>2330570</b>	<b>INTAKE MANIFOLD GASKET INJECTION</b>	<b>DKK176.10</b>
<b>7</b>	<b>2550230</b>	<b>INTAKE HOSE SPIDER 2000 IE 1986-93</b>	<b>DKK485.18</b>
<b>8</b>	<b>2541800</b>	<b>AIR FLOW SENSOR SPIDER 2000 IE 1990-93</b>	<b>On request</b>
<b>9</b>	<b>8311220</b>	<b>ELECTRONIC CONTROL UNIT SPIDER 2000 IE 1990-93 Bosch 0 261 200 124</b>	<b>On request</b>
<b>9</b>	<b>8311880</b>	<b>INJECTION BLACK BOX IN EXCHANGE BOSCH 0 280 000 221</b>	<b>DKK6,964.82</b>
<b>9</b>	<b>8311210</b>	<b>ELECTRONIC CONTROL UNIT SPIDER 2000 IE 1986-89 Bosch 0 227 400 003</b>	<b>On request</b>
<b>10</b>	<b>2550240</b>	<b>OE.60522883 INTAKE HOSE SPIDER 2000 IE 1986-93</b>	<b>DKK181.59</b>
<b>11</b>	<b>2560010</b>	<b>OE. 60611308 / 60811469 FUEL PRESSURE REGULATOR INJECTION</b>	<b>DKK1,141.71</b>
<b>11</b>	<b>25611469</b>	<b>OE.60811469/60611308 FUEL PRESSURE REDUCER SCREW IN VERSION FOR VARIOUS MODELS</b>	<b>DKK1,009.48</b>

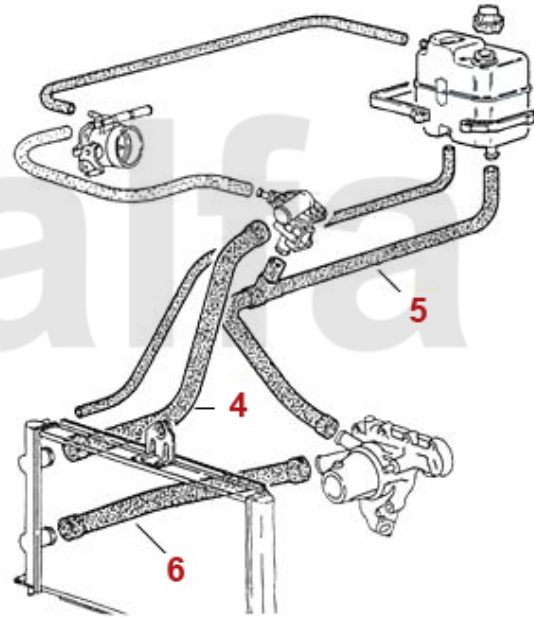
<b>1</b>	<b>2630070</b>	<b>THERMOSTAT 1300/1600 SERIES 1 SCREW IN</b>	<b>DKK309.08</b>
<b>2</b>	<b>2630080</b>	<b>THERMOSTAT 1300-2000 DROP IN</b>	<b>DKK172.19</b>
<b>3</b>	<b>2630090</b>	<b>OE. 60516212 / 60713535 THERMOSTAT 2000 IN HOUSING CARBURETTOR MODELS</b>	<b>DKK296.60</b>
<b>4</b>	<b>2630540</b>	<b>THERMOSTAT 2000 IN HOUSING INJECTION MODELS</b>	<b>DKK367.01</b>
<b>5</b>	<b>2331220</b>	<b>O-RING FOR THERMOSTAT HOUSING SPIDER MK4 / 75 2.0 IE</b>	<b>DKK37.53</b>
<b>6</b>	<b>2330420</b>	<b>THERMOSTAT GASKET</b>	<b>DKK43.02</b>

<b>1</b>	<b>2660570</b>	<b>RADIATOR HOSE RADIATOR / WATER PUMP 1300/1600 (RADIATOR 4 LATERAL HOLDERS)</b>	<b>DKK147.88</b>
<b>2</b>	<b>2660150</b>	<b>RADIATOR HOSE RADIATOR / INTAKE MANIFOLD 105 1300/1600 SCREW IN THERMOSTAT (RADIATOR WITH 4 LATERAL HOLDERS), 101 SPIDER VELOCE, SS LATE CARS</b>	<b>DKK138.48</b>
<b>2</b>	<b>2660250</b>	<b>RADIATOR HOSE RADIATOR / INTAKE MANIFOLD 1300/1600 SCREW IN THERMOSTAT (RADIATOR WITH 2 LATERAL HOLDERS)</b>	<b>DKK155.71</b>
<b>3</b>	<b>2660160</b>	<b>RADIATOR HOSE RADIATOR / INTAKE MANIFOLD 1300-2000 CARBURETTOR MODELS, NOT SKREW IN THERMOSTAT</b>	<b>DKK108.77</b>
<b>4</b>	<b>2660190</b>	<b>RADIATOR HOSE DISTRIBUTOR / THERMOSTAT 1750</b>	<b>DKK131.49</b>
<b>5</b>	<b>2660210</b>	<b>RADIATOR HOSE DISTRIBUTOR / RADIATOR 1750</b>	<b>DKK124.42</b>
<b>6</b>	<b>2660200</b>	<b>RADIATOR HOSE DISTRIBUTOR / WATER PUMP 1750</b>	<b>DKK132.24</b>
<b>7</b>	<b>2660050</b>	<b>DISTRIBUTOR PIECE RADIATOR HOSES 1750</b>	<b>DKK297.35</b>
<b>8</b>	<b>2660170</b>	<b>RADIATOR HOSE THERMOSTAT/ WATER PUMP CARBURETTOR MODELS</b>	<b>DKK116.59</b>
<b>9</b>	<b>2660180</b>	<b>RADIATOR HOSE RADIATOR / WATER PUMP 1300-2000 (RADIATOR 2 LATERAL HOLDERS)</b>	<b>DKK113.52</b>
<b>10</b>	<b>2660240</b>	<b>RADIATOR HOSE RADIATOR / RADIATOR EXPANSION TANK</b>	<b>DKK67.33</b>

**Ausführung mechanische Lüfter  
MECHANICAL FAN VERSION**



**Ausführung elektrischer Lüfter  
ELECTRICAL FAN VERSION**

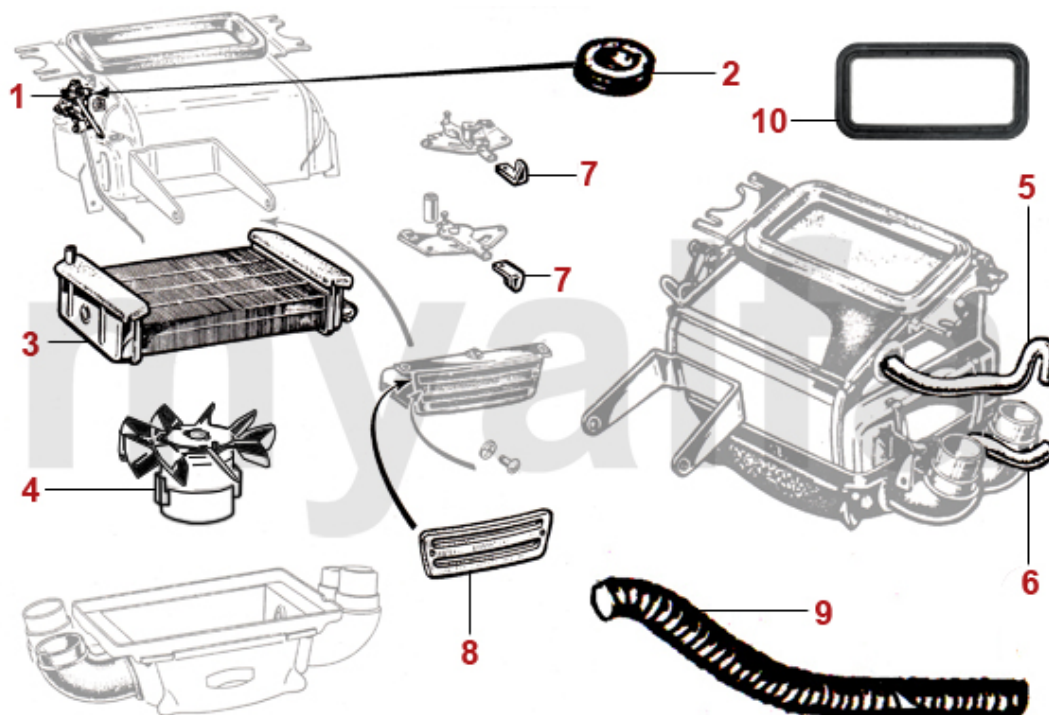


<b>1</b>	<b>2660500</b>	<b>RADIATOR HOSE RADIATOR / INTAKE MANIFOLD SPIDER 2000 IE 1986-88 MECHANICAL FAN</b>	<b>DKK223.03</b>
<b>1</b>	<b>2660520</b>	<b>RADIATOR HOSE RADIATOR / INTAKE MANIFOLD SPIDER 2000 IE 1989 MECHANICAL FAN</b>	<b>DKK218.38</b>
<b>2</b>	<b>2660510</b>	<b>RADIATOR HOSE THERMOSTAT/ WATER PUMP SPIDER 2000 IE 1986-88 MECHANICAL FAN</b>	<b>DKK232.81</b>
<b>3</b>	<b>2660180</b>	<b>RADIATOR HOSE RADIATOR / WATER PUMP 1300-2000 (RADIATOR 2 LATERAL HOLDERS)</b>	<b>DKK113.52</b>
<b>3</b>	<b>2660630</b>	<b>RADIATOR HOSE RADIATOR / WATER PUMP SPIDER 2000 IE 1986-89 MECHANICAL FAN</b>	<b>DKK379.58</b>
<b>4</b>	<b>2660410</b>	<b>RADIATOR HOSE RADIATOR / INTAKE MANIFOLD SPIDER 2000 IE 1988-93 ELECTRIC FAN</b>	<b>DKK207.39</b>
<b>5</b>	<b>2660380</b>	<b>RADIATOR HOSE THERMOSTAT/ WATER PUMP/RADIATOR EXPANSION TANK SPIDER 2000 IE 1988-93 ELEKTRIC RADIATOR</b>	<b>DKK465.63</b>
<b>6</b>	<b>2660400</b>	<b>RADIATOR HOSE RADIATOR / WATER PUMP SPIDER ELECTRIC FAN</b>	<b>DKK176.10</b>
<b>6</b>	<b>2660580</b>	<b>RADIATOR HOSE RADIATOR / WATER PUMP SPIDER 2000 IE 1988-89 ELECTRIC FAN</b>	<b>On request</b>
<b>6</b>	<b>2660590</b>	<b>RADIATOR HOSE RADIATOR / WATER PUMP SPIDER 2000 IE 1988-93 WITH AIR CONDITION</b>	<b>DKK333.39</b>

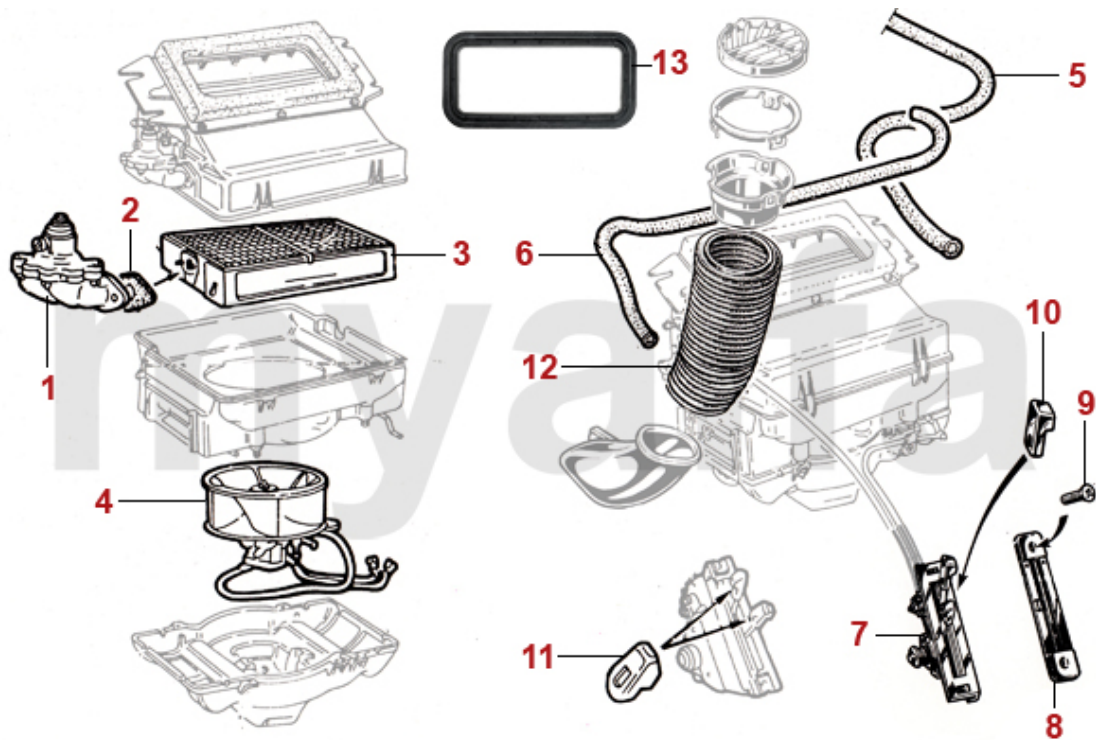
1	2610650	RADIATOR (NEW PART)-SPIDER 66-68	On request
2	2610010	RADIATOR SPIDER 1968-87 CARBURETTOR MODELS OVERFLOW RIGHT	DKK2,809.40
2	2610450	RADIATOR SPIDER 2000 IE 1986-89 MECHANICAL FAN	DKK2,809.40
3	2680600	RADIATOR CAP ROUND TYPE MODELS WITHOUT EXPANSION TANK	DKK97.78
3	2680610	RADIATOR CAP ROUND TYPE MODELS WITHOUT EXPANSION TANK, CHROMED	DKK186.25
4	2680060	RADIATOR CAP SQUARE TYPE MODELS WITH EXPANSION TANK	DKK97.78
4	2680620	RADIATOR CAP SQUARE TYPE MODELS WITH EXPANSION TANK, CHROMED	DKK186.25
4	9302640	RADIATOR CAP DECAL	DKK38.37
5	2650250	RADIATOR EXPANSION TANK 1968-89	DKK364.68
6	2680260	RADIATOR EXPANSION TANK CAP 1968-89	DKK77.48
6	2680490	RADIATOR EXPANSION TANK CAP 1968-89 CHROMED	DKK129.91
7	2651050	CLAMP RADIATOR EXPANSION TANK	DKK242.59
8	2640020	FAN COWL METAL 105 1ST SERIES 1962-1968	DKK618.26
9	2640560	PLASTIC RADIATOR COWL 1983-89 MECHANICAL FAN	DKK289.53
9	2640010	PLASTIC RADIATOR COWL 1968-82 - DEEP SHAPE 7.5 CM	DKK312.25
10	2640530	FAN BLADE 1972-89 MECHANICAL FAN	DKK215.21
10	2640520	FAN BLADE 1300/1600 1964-72	DKK234.02
11	2640040	WASHER FOR FAN	DKK116.59
12	2680710	LATERAL RADIATOR SUPPORT RUBBER (SET)	DKK116.59
13	2680530	BUSH (SET) RADIATOR MOUNTING RUBBER	DKK30.55
14	2680030	RADIATOR BOTTOM SUPPORT RUBBER 1968-89 CARBURETTOR MODELS	DKK36.78
15	2650010	RADIATOR DRAIN SCREW	DKK54.39
16	2650030	COPPER SEAL RING FOR RADIATOR DRAIN SCREW	DKK11.73

<b>1</b>	<b>2610340</b>	<b>RADIATOR SPIDER 2000 IE 1990-93</b>	<b>DKK2,731.17</b>
<b>2</b>	<b>2650360</b>	<b>RADIATOR EXPANSION TANK SPIDER 1990-93</b>	<b>DKK625.24</b>
<b>3</b>	<b>2680370</b>	<b>RADIATOR EXPANSION TANK CAP SPIDER 1990-93</b>	<b>DKK249.67</b>
<b>4</b>	<b>2631040</b>	<b>TEMPERATURE SWITCH ELECTRIC FAN SPIDER 2000 IE 1988-93</b>	<b>DKK155.71</b>
<b>5</b>	<b>2640420</b>	<b>ELECTRIC FAN SPIDER 2000 IE 1990-93</b>	<b>On request</b>
<b>5</b>	<b>2640570</b>	<b>FRAME FOR FAN BLADE SPIDER 1990-93</b>	<b>On request</b>

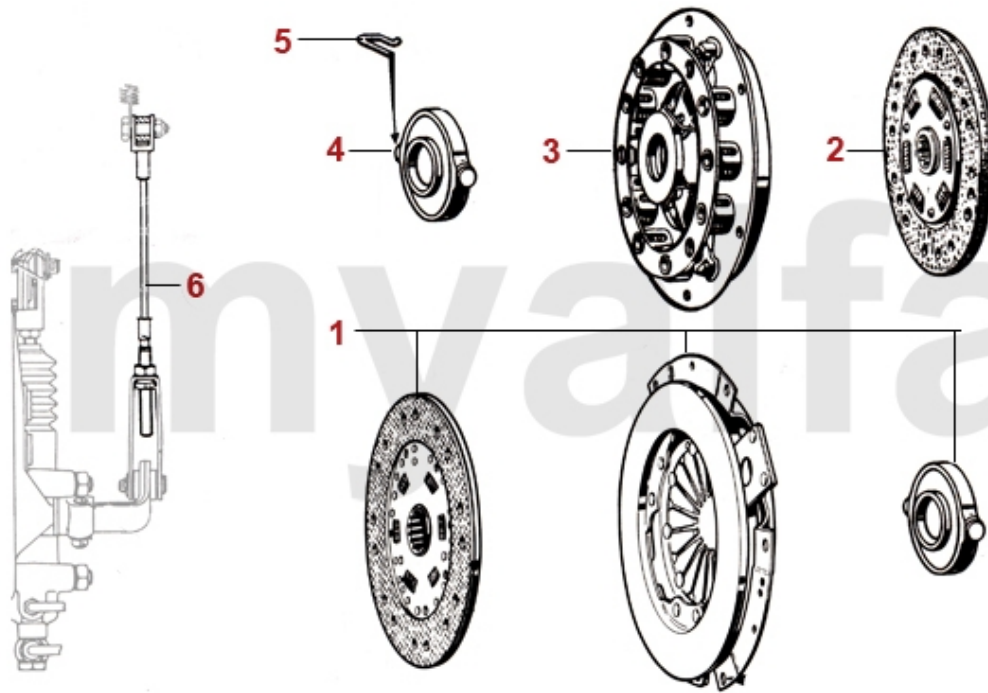
<b>1</b>	<b>2620490</b>	<b>WATERPUMP 1300 (105) -1600 (101, 105) 2 HOSE CONNECTIONS SMALL PULLEY (94mm)</b>	<b>DKK820.90</b>
<b>2</b>	<b>2620500</b>	<b>WATER PUMP 1300-1750 2 CONNECTIONS, LARGE PULLEY (110 mm)</b>	<b>DKK766.88</b>
<b>3</b>	<b>2620510</b>	<b>WATER PUMP 1600-2000 3 CONNECTIONS / MECHANICAL REV COUNTER ::: PULLEY (110 mm) ::: FITTED ON CARS WITH ALTERNATOR :::</b>	<b>DKK703.56</b>
<b>4</b>	<b>2621340</b>	<b>WATER PUMP 1600-2000 3 CONNECTIONS / ELECTRICAL REV COUNTER</b>	<b>DKK931.25</b>
<b>5</b>	<b>2620430</b>	<b>WATER PUMP 2000 IE ELECTRIC FAN</b>	<b>DKK899.96</b>
<b>6</b>	<b>2621330</b>	<b>WATER PUMP SPICA INJECTION</b>	<b>DKK1,557.33</b>
<b>7</b>	<b>2330470</b>	<b>WATERPUMP GASKET - 105, 115, 101 1600 - FOR MECHNICAL REV- COUNTER</b>	<b>DKK44.61</b>
<b>8</b>	<b>2330710</b>	<b>GASKET REV COUNTER ALIGNMENT</b>	<b>DKK22.72</b>
<b>9</b>	<b>8600010</b>	<b>REV COUNTER GEAR</b>	<b>On request</b>
<b>10</b>	<b>4130440</b>	<b>OIL SEAL SPEEDOMETER DRIVE / REV COUNTER DRIVE 8 x 16 x 7</b>	<b>DKK69.66</b>
<b>11</b>	<b>2702140</b>	<b>V-BELT 9.5x725 DYNAMO GENERATOR</b>	<b>DKK89.96</b>
<b>11</b>	<b>2700700</b>	<b>V-BELT 9.5x825</b>	<b>DKK69.66</b>
<b>11</b>	<b>2700690</b>	<b>V-BELT 10 x 813</b>	<b>DKK86.05</b>
<b>12</b>	<b>4210110</b>	<b>TOP DEAD POINTER FOR CRANK PULLAY 105mm DIAMETER, MARK 1</b>	<b>DKK108.77</b>
<b>13</b>	<b>4210100</b>	<b>TOP DEAD POINTER FOR CRANK PULLAY 125mm DIAMETER, MARK 2</b>	<b>DKK108.77</b>



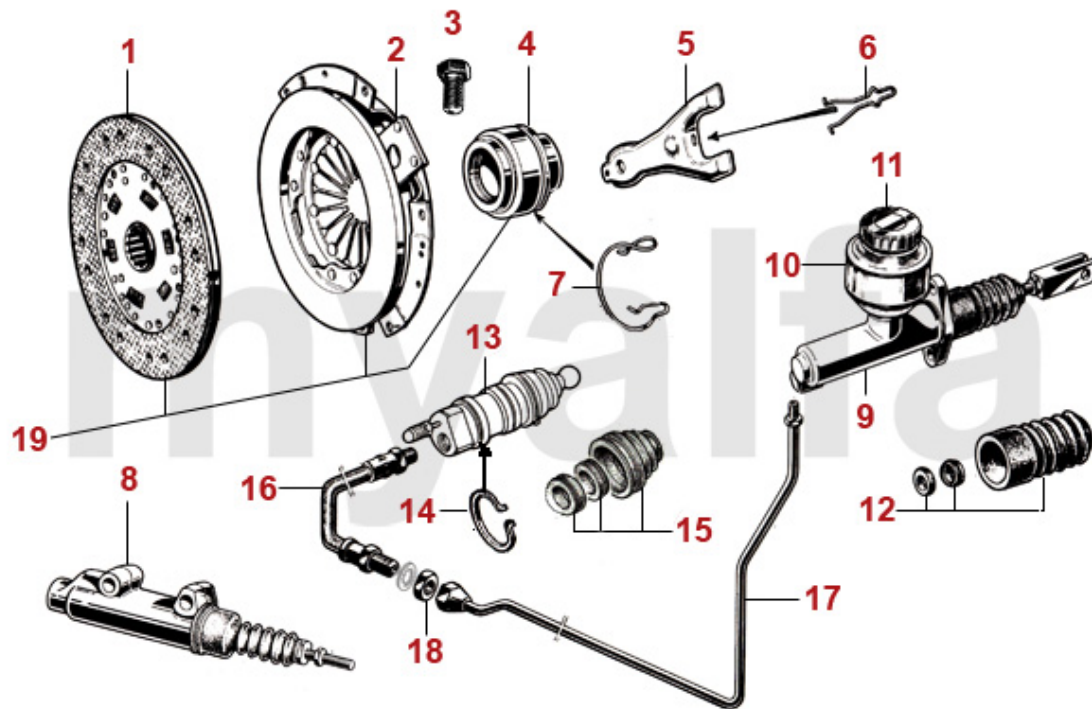
<b>1</b>	<b>7400120</b>	<b>HEATER VALVE SERIES 1 METAL 2 HOSE CONNECTIONS</b>	<b>DKK419.44</b>
<b>2</b>	<b>7400300</b>	<b>HEATER VALVE DIAPHRAGM SERIES 1</b>	<b>DKK68.82</b>
<b>3</b>	<b>7200700</b>	<b>HEATER CORE SERIES 1</b>	<b>DKK1,682.49</b>
<b>4</b>	<b>7300220</b>	<b>HEATER MOTOR 1st SERIES GIULIA ,GT BERTONE, SPIDER, ONE LEVEL</b>	<b>DKK828.72</b>
<b>5</b>	<b>2660480</b>	<b>RADIATOR HOSE HEATER VALVE SERIES 1 - INTAKE MANIFOLD</b>	<b>DKK132.24</b>
<b>6</b>	<b>2660230</b>	<b>HEATER HOSE HEATER / WATER PUMP</b>	<b>DKK93.13</b>
<b>7</b>	<b>1731270</b>	<b>HEATER CONTROL END KNOB 1969-85 BLACK PLASTIC</b>	<b>DKK35.20</b>
<b>7</b>	<b>1731620</b>	<b>HEATER CONTROL END KNOB 1969-85 CHROMED</b>	<b>DKK74.31</b>
<b>7</b>	<b>1731245</b>	<b>HEATER CONTOL END KNOB (SET) GT BERTONE, SPIDER, GIULIA UP TO 1969, IPRA</b>	<b>DKK232.81</b>
<b>8</b>	<b>1731290</b>	<b>HEATER FASCIA PANEL CHROME GIULIA, GT BERTONE, SPIDER WITHOUT CONSOLE</b>	<b>DKK731.68</b>
<b>8</b>	<b>1731240</b>	<b>HEATER FASCIA PANEL WITH FASTENING GIULIA, GT BERTONE</b>	<b>DKK931.25</b>
<b>9</b>	<b>1731250</b>	<b>FASTENING (SET) FOR HEATER FASCIA PANEL 173 124 0</b>	<b>On request</b>
<b>10</b>	<b>7800740</b>	<b>VENT HOSE UNIVERSAL 50 mm x 1000 mm</b>	<b>DKK124.42</b>
<b>11</b>	<b>7800730</b>	<b>RUBBER SEAL FOR HEATER BOX, GIULIA, GT BERTONE, SPIDER</b>	<b>DKK273.88</b>



<b>1</b>	<b>7400050</b>	<b>HEATER VALVE SERIES 2 PLASTIC ATTACHED TO THE HEATER CORE</b>	<b>DKK390.47</b>
<b>2</b>	<b>7400350</b>	<b>HEATER VALVE GASKET SERIES 2</b>	<b>DKK29.71</b>
<b>3</b>	<b>7200290</b>	<b>HEATER CORE SERIES 2</b>	<b>DKK1,251.32</b>
<b>4</b>	<b>7300950</b>	<b>HEATER MOTOR SPIDER 1970-93</b>	<b>DKK1,009.48</b>
<b>5</b>	<b>2660230</b>	<b>HEATER HOSE HEATER / WATER PUMP</b>	<b>DKK93.13</b>
<b>6</b>	<b>2660220</b>	<b>HEATER HOSE HEATER HOSE / INTAKE MANIFOLD SERIES 2</b>	<b>DKK132.24</b>
<b>8</b>	<b>1731230</b>	<b>HEATER FASCIA PANEL CHROME GIULIA / GT BERTONE / SPIDER 1970-85 WITH CONSOLE</b>	<b>DKK207.39</b>
<b>8</b>	<b>1731770</b>	<b>HEATER FASCIA PANEL SPIDER 1970-85 PLASTIC BLACK</b>	<b>DKK309.08</b>
<b>9</b>	<b>1731750</b>	<b>SCREW (2 PCS) HEATER FASCIA PANEL</b>	<b>DKK22.72</b>
<b>10</b>	<b>1731270</b>	<b>HEATER CONTROL END KNOB 1969-85 BLACK PLASTIC</b>	<b>DKK35.20</b>
<b>10</b>	<b>1731620</b>	<b>HEATER CONTROL END KNOB 1969-85 CHROMED</b>	<b>DKK74.31</b>
<b>11</b>	<b>1732600</b>	<b>HEATER CONTROL END KNOB 1986-93</b>	<b>DKK93.13</b>
<b>12</b>	<b>7800760</b>	<b>DASH TOP VENT HOSE SPIDER 20 cm</b>	<b>DKK254.32</b>
<b>13</b>	<b>7800730</b>	<b>RUBBER SEAL FOR HEATER BOX, GIULIA, GT BERTONE, SPIDER</b>	<b>DKK273.88</b>

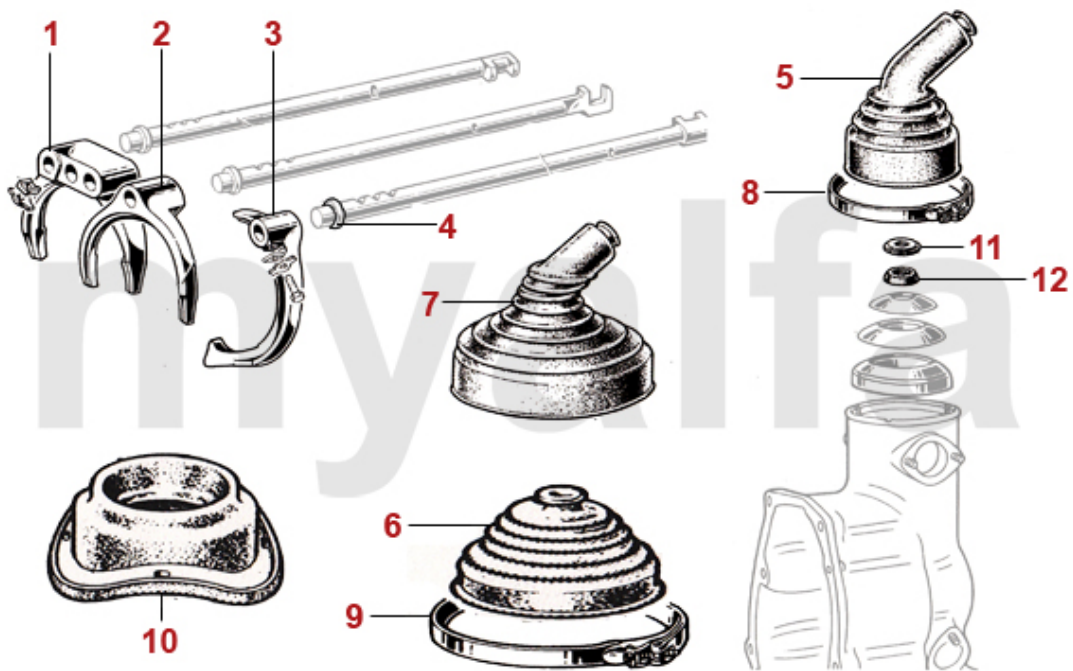


<b>1</b>	<b>4311020</b>	<b>CLUTCH KIT 750/101, 105 1st SERIES MECHANICAL CONVERSION TO DIAPHRAGM SPRING PRESSURE PLATE</b>	<b>DKK3,670.24</b>
<b>1</b>	<b>4340300</b>	<b>CLUTCH DISC MECHANICAL FICHTEL &amp; SACHS</b>	<b>DKK1,166.02</b>
<b>2</b>	<b>4340290</b>	<b>CLUTCH DISC MECHANICAL</b>	<b>DKK778.62</b>
<b>3</b>	<b>4330310</b>	<b>PRESSURE PLATE MECHANICAL</b>	<b>DKK1,792.10</b>
<b>4</b>	<b>4350010</b>	<b>CLUTCH RELEASE BEARING MECHANICAL WITH RETAINING CLIPS</b>	<b>DKK461.71</b>
<b>4</b>	<b>4350320</b>	<b>CLUTCH RELEASE BEARING MECHANICAL</b>	<b>DKK586.13</b>
<b>5</b>	<b>4390010</b>	<b>RETAINING CLIP CLUTCH RELEASE BEARING MECHANICAL</b>	<b>DKK37.53</b>
<b>5</b>	<b>4390400</b>	<b>RETAINING SPRING (SET 2 PCS) CLUTCH RELEASE BEARING MECHANICAL CLUTCH SACHS</b>	<b>DKK69.66</b>
<b>6</b>	<b>4390280</b>	<b>CLUTCH CABLE</b>	<b>DKK155.71</b>



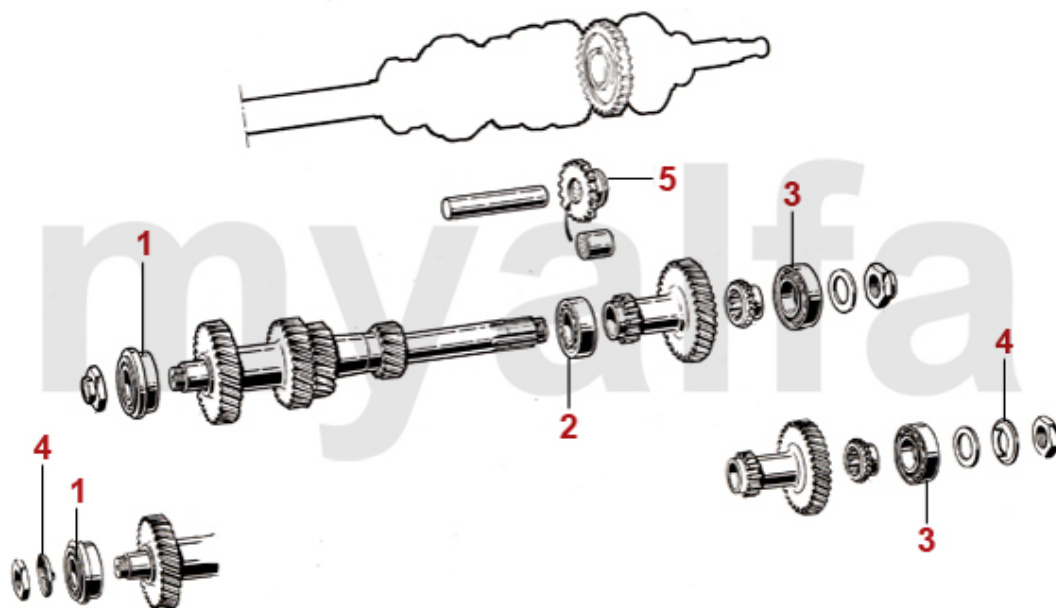
<b>1</b>	<b>4310010</b>	<b>CLUTCH KIT HYDRAULIC REINFORCED MADE IN ITALY</b>	<b>DKK1,870.32</b>
<b>1</b>	<b>4310230</b>	<b>CLUTCH KIT HYDRAULIC FICHTEL &amp; SACHS</b>	<b>DKK2,183.32</b>
<b>1</b>	<b>4310240</b>	<b>CLUTCH KIT HYDRAULIC LUK 1968-93</b>	<b>DKK2,183.32</b>
<b>2</b>	<b>4310030</b>	<b>CLUTCH DISC HYDRAULIC</b>	<b>DKK410.87</b>
<b>2</b>	<b>4340410</b>	<b>CLUTCH DISC 105/115 FICHTEL &amp; SACHS</b>	<b>DKK1,095.62</b>
<b>3</b>	<b>4330040</b>	<b>PRESSURE PLATE HYDRAULIC</b>	<b>DKK1,009.48</b>
<b>3</b>	<b>4330530</b>	<b>PRESSURE PLATE FICHTEL &amp; SACHS</b>	<b>DKK1,322.56</b>
<b>4</b>	<b>4211570</b>	<b>SCREW FOR CLUTCH AUTOMAT</b>	<b>DKK17.97</b>
<b>5</b>	<b>4350050</b>	<b>CLUTCH RELEASE BEARING HYDRAULIC PREMIUM</b>	<b>DKK203.11</b>
<b>5</b>	<b>4350330</b>	<b>CLUTCH RELEASE BEARING HYDRAULIC FICHTEL &amp; SACHS</b>	<b>DKK618.26</b>
<b>6</b>	<b>4370220</b>	<b>RELEASE LEVER HYDRAULIC</b>	<b>DKK539.94</b>
<b>7</b>	<b>4130090</b>	<b>RUBBER GROMMET FOR RELEASE LEVER HYDRAULIC CLUTCH</b>	<b>DKK50.85</b>
<b>8</b>	<b>4390160</b>	<b>SPRING FOR CLUTCH ARM HYDRAULIC</b>	<b>DKK61.84</b>
<b>9</b>	<b>4390150</b>	<b>RETAINING SPRING CLUTCH RELEASE BEARING HYDRAULIC</b>	<b>DKK73.57</b>
<b>10</b>	<b>4380110</b>	<b>CLUTCH MASTER CYLINDER STANDING PEDALS</b>	<b>DKK696.48</b>
<b>10</b>	<b>4380150</b>	<b>CLUTCH MASTER CYLINDER STANDING PEDALS BONALDI 1405755</b>	<b>DKK1,290.43</b>
<b>11</b>	<b>4380120</b>	<b>CLUTCH MASTER CYLINDER HANGING PEDALS</b>	<b>DKK751.24</b>
<b>12</b>	<b>4380210</b>	<b>CLUTCH RESERVOIRE WITH CAP HANGING PEDALS</b>	<b>DKK430.05</b>
<b>13</b>	<b>4380200</b>	<b>CAP BRAKE / CLUTCH RESERVIOR HANGING PEDALS</b>	<b>DKK93.13</b>
<b>14</b>	<b>4380080</b>	<b>REPAIR KIT CLUTCH MASTER CYLINDER ATE HANGING PEDALS</b>	<b>On request</b>
<b>15</b>	<b>4380140</b>	<b>CLUTCH SLAVE CYLINDER 105/115 OE-QUALITY</b>	<b>DKK539.94</b>
<b>15</b>	<b>4380130</b>	<b>CLUTCH SLAVE CYLINDER STANDING PEDALS 105 BENDITALIA</b>	<b>DKK774.71</b>
<b>15</b>	<b>4380170</b>	<b>CLUTCH SLAVE CYLINDER 105/115 BENDITALIA</b>	<b>DKK723.86</b>
<b>16</b>	<b>4390170</b>	<b>CLUTCH SLAVE CYLINDER RETAINING CIRCLIP</b>	<b>DKK23.10</b>
<b>17</b>	<b>4380100</b>	<b>REPAIR KIT CLUTCH SLAVE CYLINDER</b>	<b>DKK154.96</b>
<b>18</b>	<b>4380060</b>	<b>CLUTCH FLEXI HOSE</b>	<b>DKK154.96</b>
<b>18</b>	<b>4380090</b>	<b>STEEL FLEX CLUTCH HOSE</b>	<b>DKK359.18</b>
<b>19</b>	<b>4380180</b>	<b>CLUTCH LINE HANGING PEDALS</b>	<b>DKK225.36</b>
<b>20</b>	<b>4380190</b>	<b>NUT CLUTCH FLEXI HOSE</b>	<b>DKK25.80</b>



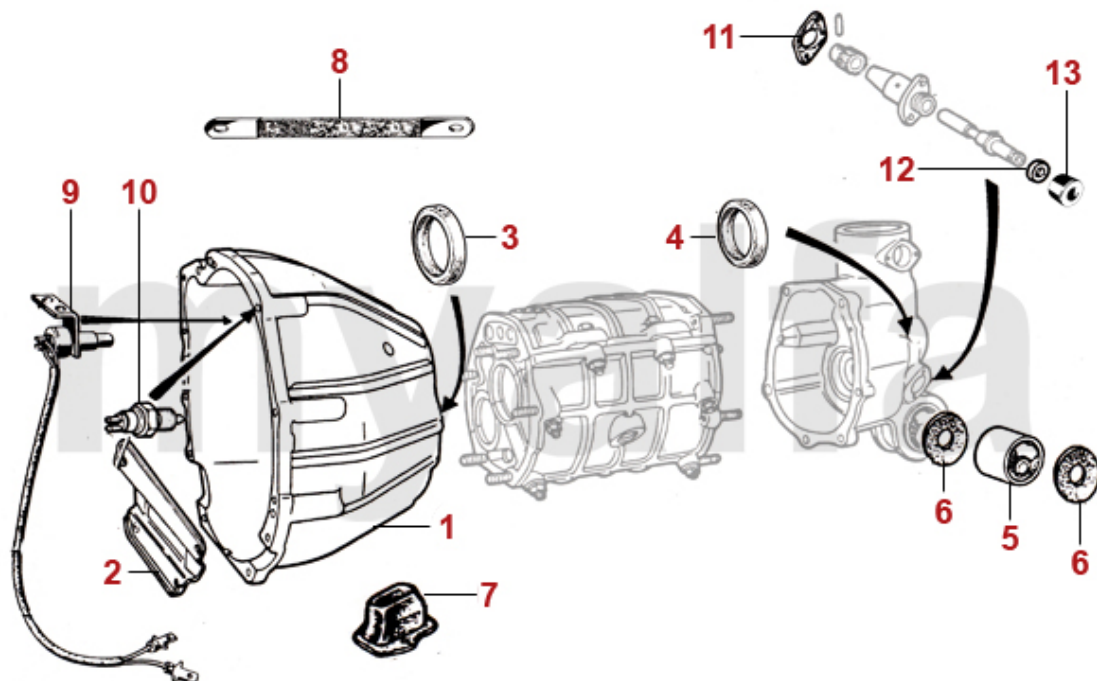


<b>1</b>	<b>4130140</b>	<b>SHIFT FORK 1./2. GEAR, 1300-2000 ccm, 101/105/115</b>	<b>On request</b>
<b>2</b>	<b>4130150</b>	<b>SHIFT FORK 3./4. GEAR, 1300-2000 ccm, 101/105/115</b>	<b>DKK1,557.33</b>
<b>3</b>	<b>4130160</b>	<b>SHIFT FORK 5./ REVERSE GEAR</b>	<b>DKK587.71</b>
<b>4</b>	<b>23335018</b>	<b>O-RING FOR TRANSMISSION WITH OPEN BELL HOUSING</b>	<b>DKK23.10</b>
<b>5</b>	<b>4130040</b>	<b>GEARBOX RUBBER GAITER SMALL</b>	<b>DKK100.95</b>
<b>6</b>	<b>4130050</b>	<b>GEARBOX RUBBER GAITER BIG</b>	<b>DKK139.69</b>
<b>7</b>	<b>4130360</b>	<b>GEARBOX RUBBER GAITER COMBINATION</b>	<b>DKK249.67</b>
<b>8</b>	<b>4130620</b>	<b>CLAMP GEARBOX RUBBER GAITER SMALL</b>	<b>DKK31.29</b>
<b>9</b>	<b>4130630</b>	<b>CLAMP GEARBOX RUBBER GAITER BIG</b>	<b>DKK33.62</b>
<b>10</b>	<b>4130530</b>	<b>GEAR GAITER BASE TRANSMISSION TUNNEL</b>	<b>DKK238.68</b>
<b>11</b>	<b>4130380</b>	<b>GEAR LEVER METAL PLATE</b>	<b>DKK19.56</b>
<b>12</b>	<b>4130120</b>	<b>GEAR LEVER RUBBER SEAL</b>	<b>DKK23.47</b>

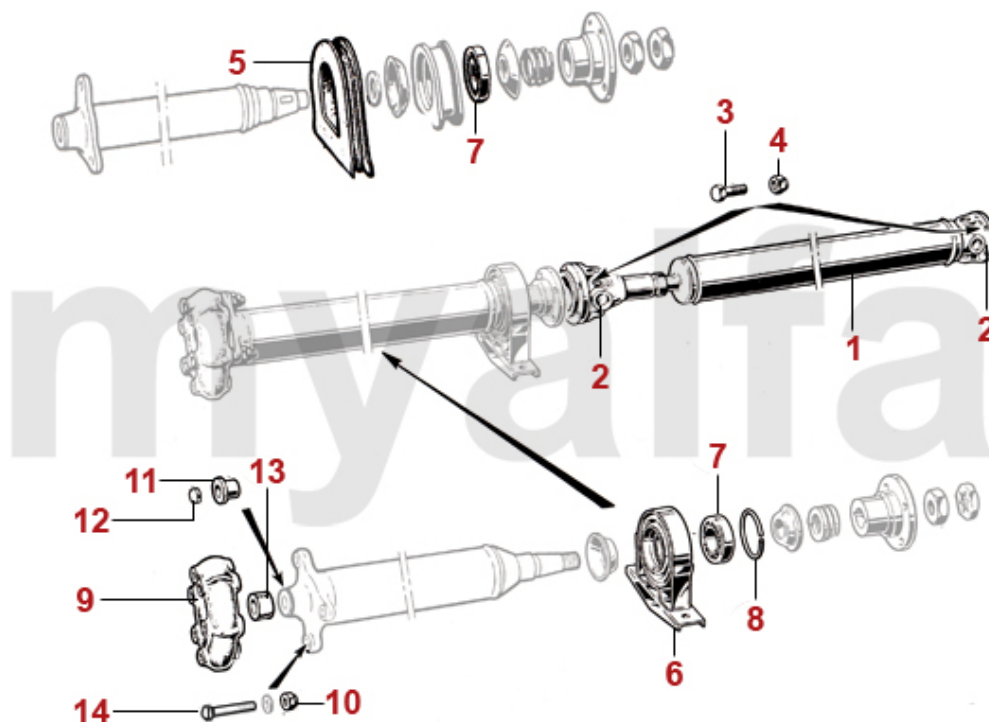
1	4150010	SYNCHRO RING OE-QUALITY 105/115/116/75	DKK461.71
1	4150020	SYNCHRO RING GOETZE 105/115/116/75	DKK1,087.79
1	4150030	SYNCHRO RING OE-QUALITY 101/105 SERIES 1/102/106	DKK1,244.24
2	4130130	SYNCHRO SLEEVE OE-QUALITY 105/115/116/75	DKK853.03
3	4150330	MAINSHAFT BEARING 2000 FRONT / MIDDLE, 1600 FROM 1989 ON	DKK700.39
3	4150460	MAINSHAFT BEARING - 101/105/115 1300-1750 UP TO 1989 - FRONT / MIDDLE	DKK700.39
4	4150310	MAINSHAFT BEARING - 105/115 2nd SERIES -REAR	DKK477.36
4	4150320	REAR MAIN SHAFT BEARING 101/105 1st SERIES//102/106	DKK618.26
5	4150290	NEEDLE BEARING SMALL - 105/105/115/102/106	DKK140.06
6	4150300	NEEDLE BEARING BIG 5. GEAR	DKK168.18
7	4130490	SAFETY NUT INPUT SHAFT 2000	DKK147.88
8	4130320	SAFETY NUT PROPSHAFT ADAPTER 1972-93	DKK128.33
9	4150520	BEARING SLEEVE GEARS - 101/105/115/102/106	DKK172.19
10	4100730	PROPSHAFT ADAPTER	On request
11	4140680	LOCK BAND 2.-5. GEAR - 101/105/115	On request
11	0406700	UPPER LOCK-BLOCK	DKK191.74
11	4140690	UPPER LOCK BLOCK 1. GEAR	DKK191.74
11	4140700	LOWER LOCK BLOCK	DKK191.74
12	4150560	TAB WASHER PROPSHAFT ADAPTER 1959-72	DKK41.44
13	4140740	REVERSE GEAR PINION MAINSHAFT - 101/105/115	DKK1,400.79
14	4140750	GEAR DOG RING / SYNCRONIZER HUB	DKK1,322.56



<b>1</b>	<b>4150470</b>	<b>LAYSHAFT BEARING 2000 FRONT INNER DIAMETER 20 mm</b>	<b>DKK633.06</b>
<b>1</b>	<b>4150240</b>	<b>LAYSHAFT BEARING - 105 1300-1750, 101 - FRONT</b>	<b>DKK537.61</b>
<b>2</b>	<b>4150250</b>	<b>LAYSHAFT BEARING - 101/105/115 - MIDDLE</b>	<b>DKK465.63</b>
<b>3</b>	<b>4150260</b>	<b>LAYSHAFT BEARING REAR - 105/115 1300-2000</b>	<b>DKK442.16</b>
<b>3</b>	<b>4150210</b>	<b>LAYSHAFT BEARING REAR - 105/115 1300-1750, 101 / 102 / 106</b>	<b>DKK508.65</b>
<b>4</b>	<b>4150570</b>	<b>TAB WASHER LAYSHAFT - 101/105 1959-72</b>	<b>DKK44.61</b>
<b>5</b>	<b>4140610</b>	<b>REVERSE GEAR PINION - 101/105/115</b>	<b>DKK1,076.06</b>



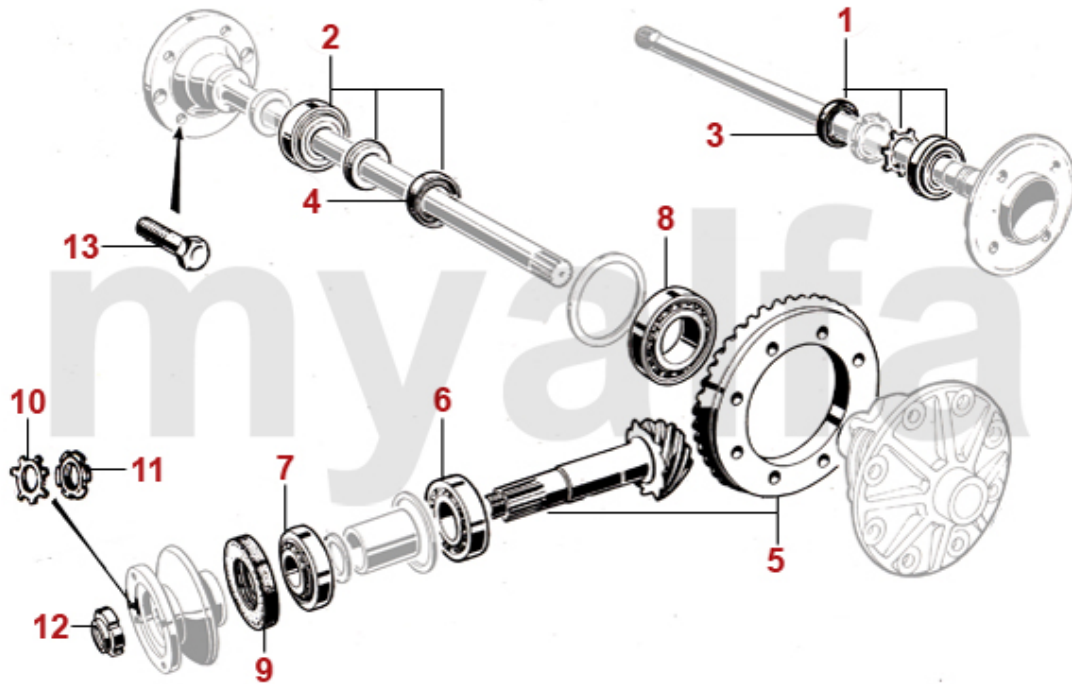
<b>1</b>	<b>4100590</b>	<b>BELL HOUSING MECHANICAL CLUTCH 1st SERIES</b>	<b>DKK3,670.24</b>
<b>1</b>	<b>4100370</b>	<b>BELL HOUSING HYDRAULIC CLUTCH SERIES 2 SCREW IN SWITCH</b>	<b>DKK5,125.79</b>
<b>2</b>	<b>4100510</b>	<b>SHUT PANEL BELL HOUSING HYDRAULIC CLUTCH</b>	<b>DKK279.38</b>
<b>3</b>	<b>2330300</b>	<b>OIL SEAL TRANSMISSION FRONT HYD. CLUTCH</b>	<b>DKK69.66</b>
<b>3</b>	<b>2330240</b>	<b>OIL SEAL TRANSMISSION FRONT MECH. CLUTCH 750/101/105</b>	<b>DKK77.85</b>
<b>3</b>	<b>2330700</b>	<b>OIL SEAL TRANSMISSION FRONT HYD. CLUTCH CORTECO</b>	<b>DKK93.13</b>
<b>3</b>	<b>2330245</b>	<b>OIL SEAL TRANSMISSION MECHANICAL CLUTCH 750/101/105 CORTECO</b>	<b>DKK85.30</b>
<b>4</b>	<b>2330250</b>	<b>OIL SEAL TRANSMISSION REAR 101/105/115</b>	<b>DKK75.15</b>
<b>4</b>	<b>2330400</b>	<b>OIL SEAL TRANSMISSION REAR 101/105/115 CORTECO</b>	<b>DKK108.77</b>
<b>5</b>	<b>4120020</b>	<b>GEARBOX MOUNTING BUSH -105/115 - 1969-93 FOR CARS WITH HYDRAULIC CLUTCH</b>	<b>DKK164.37</b>
<b>5</b>	<b>4120640</b>	<b>GEARBOX MOUNTING BUSH - 101/102/105 FOR MECHANICAL CLUTCH /106</b>	<b>DKK301.26</b>
<b>6</b>	<b>4120600</b>	<b>GEARBOX MOUNTING RUBBER WASHER (SET) - 5-SPEED GEARBOX</b>	<b>DKK101.32</b>
<b>7</b>	<b>4130580</b>	<b>RUBBER GAITER CLUTCH ACTUATIONFORK MECHANICAL CLUTCH</b>	<b>DKK430.42</b>
<b>8</b>	<b>8701230</b>	<b>GROUND STRAP TRANSMISSION / BODY 200 mm</b>	<b>DKK108.77</b>
<b>9</b>	<b>8640630</b>	<b>REVERSE LIGHT SWITCH BRACKET MOUNTED</b>	<b>DKK219.12</b>
<b>10</b>	<b>8640150</b>	<b>REVERS LIGHT SWITCH SCREW-IN</b>	<b>DKK124.42</b>
<b>11</b>	<b>2330580</b>	<b>GASKET SPEEDOMETER ALIGNMENT</b>	<b>DKK19.18</b>
<b>12</b>	<b>4130440</b>	<b>OIL SEAL SPEEDOMETER DRIVE / REV COUNTER DRIVE 8 x 16 x 7</b>	<b>DKK69.66</b>
<b>13</b>	<b>4130660</b>	<b>SPEEDOMETER DRIVE SPACER</b>	<b>DKK30.55</b>
<b>14</b>	<b>2280090</b>	<b>OIL FILLING SCREW, HEXAGON SOCKET, TRANSMISSION /DIFFERENTIAL M22x1.5</b>	<b>DKK69.66</b>
<b>14</b>	<b>2280100</b>	<b>OIL FILLER SCREW , HEXAGON SOCKET, TRANS MISSION/DIFFERENTIAL M22x1.5</b>	<b>DKK61.84</b>
<b>15</b>	<b>2280110</b>	<b>SUMP PLUG WITH MAGNET TRANSMISSION/DIFFERENTIAL 750/101, 105/115</b>	<b>DKK82.14</b>



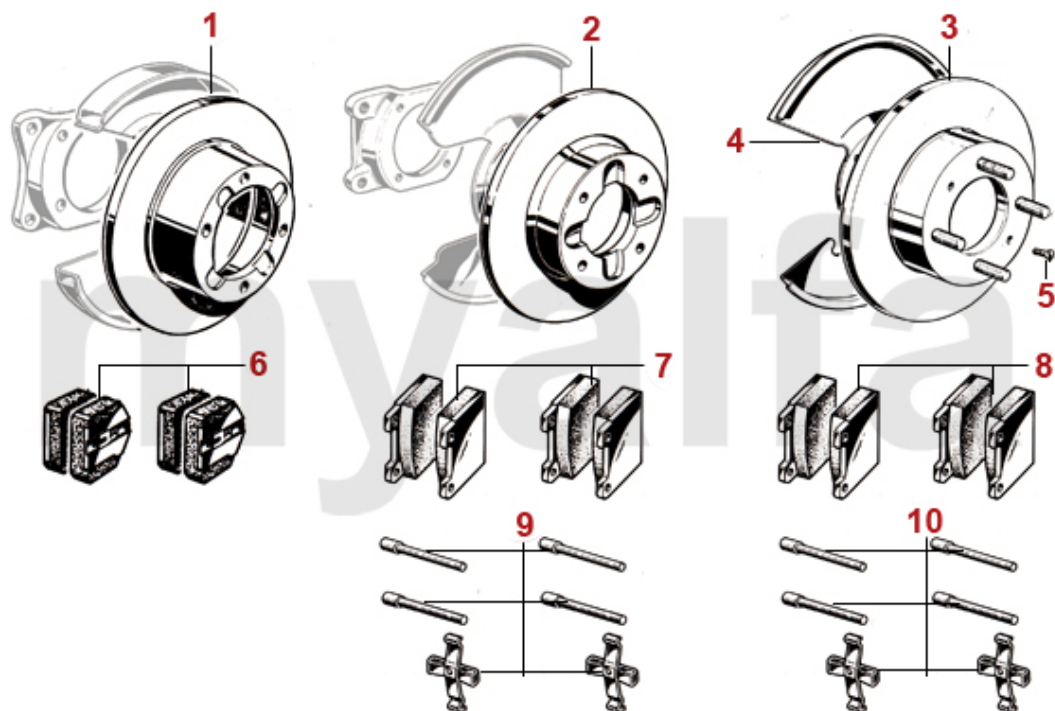
1	4410320	REAR PROPSHAFT SECTION *NEW* SPIDER SCREW: 8mm	DKK3,442.46
1	4410380	REAR PROPSHAFT SECTION *NEW* SPIDER SCREW: 9mm	DKK3,442.46
1	4410080	REAR PROPSHAFT SECTION "NEW" SPIDER / JUNIOR ZAGATO, 9MM HOLES, MADE IN ITALY, 660MM LENGTH	DKK2,308.57
1	4410170	REAR PROPSHAFT SECTION "NEW" Spider, 8MM HOLES, MADE IN ITALY, 660MM LENGTH	DKK2,308.57
2	4440190	UNIVERSAL JOINT WITH GREASE NIPPLE - 750/101/105 1ST Series 1962-66	DKK364.68
2	4440010	UNIVERSAL JOINT 1966-93	DKK269.97
3	4440200	SCREW REAR PROPSHAFT SECTION 9 mm	DKK35.20
3	4440220	SCREW REAR PROPSHAFT SECTION 8 mm	DKK35.20
4	4440210	LOCK NUT REAR PROPSHAFT SECTION 9 mm	DKK15.27
4	4440230	LOCK NUT REAR PROPSHAFT SECTION 8 mm	DKK17.23
4	4440240	LOCK NUT REAR PROPSHAFT SECTION 9 mm ORIGINAL	DKK17.97
5	4430050	PROSHAFT CENTRE SUPPORT RUBBER 1962-68	DKK205.06
6	4430090	PROPSHAFT CENTRE SUPPORT 1962-1968	DKK696.48
7	4430020	PROPSHAFT CENTRE SUPPORT 1968-1993 ORIGINAL QUALITY	DKK332.55
7	4430220	PROPSHAFT CENTRE SUPPORT 1968-93 HEAVY DUTY	DKK489.09
7	4430040	PROPSHAFT CENTRE SUPPORT 1968-93 WITH BEARING ORIGINAL QUALITY	DKK547.02
7	4430230	PROPSHAFT CENTRE SUPPORT 1968-1993 WITH BEARING HEAVY DUTY	DKK682.42
8	4430030	PROPSHAFT CENTRE SUPPORT BEARING ORIGINAL QUALITY	DKK124.42
8	4430010	PROPSHAFT CENTER SUPPORT BEARING FAG	DKK203.48
9	4440120	RETAINING CLIP PROPSHAFT CENTRE SUPPORT BEARING	DKK23.47
10	4430100	COVER FOR PROPSHAFT CENTER SUPPORT	DKK139.32
11	4420040	FRONT DOUGHNUT COUPLING	DKK461.71
12	2280180	HEX NUT HIGH-STRENGTH FOR HARDY DISC/BALL JOINT	DKK30.55
13	4440160	TOP HAT BUSH	DKK351.36

<b>14</b>	<b>4440150</b>	<b>TOP HAT BUSH INTERNAL PAD</b>	<b>DKK61.84</b>
<b>15</b>	<b>4440140</b>	<b>RUBBER BUMP TRANSMISSION / FRONT PROPSHAFT</b>	<b>DKK39.11</b>
<b>16</b>	<b>4440110</b>	<b>HIGH STRENGTH BOLT FOR FRONT DOUGHNUT COUPLING</b>	<b>DKK22.72</b>

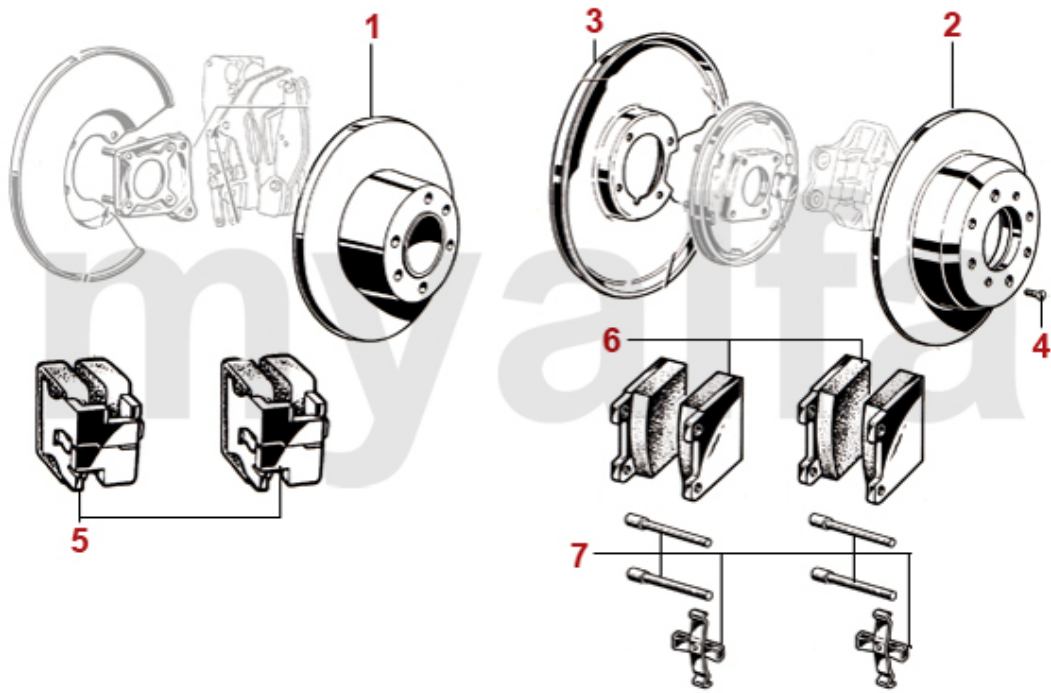
1	2330320	DIFFERENTIAL OIL PAN GASKET 1300-1750	DKK66.49
1	2330330	DIFFERENTIAL OIL PAN GASKET 2000	DKK64.54
2	2280110	SUMP PLUG WITH MAGNET TRANSMISSION/DIFFERENTIAL 750/101, 105/115	DKK82.14
3	4541840	TAB WASHER AXLE PIPE LEFT	DKK22.72
4	4541930	TAB WASHER (SET 2) AXLE PIPE RIGHT	DKK46.19
5	4541940	TAB WASHER (SET 2) AXLE PIPE LEFT	DKK116.59
6	4541880	LSD DISC DIFFERENTIAL 1,9 mm	DKK625.24
6	4541890	LSD DISC DIFFERENTIAL 2,0 mm	DKK680.84
6	4541900	LSD DISC DIFFERENTIAL 2,1 mm	DKK680.84
7	4531870	LSD FRICTION DISC 2 mm WITH INNER TEETH	DKK696.48
7	4531880	LIMITED SLIP DIFFERENTIAL FRICTION PLATE - SINTERED FOR RACING	DKK892.14
8	4541910	LSD SPACER DISC	DKK176.10
9	4536440	STOP RUBBER DIFFERENTIAL / BODY 105/115	DKK129.16



<b>1</b>	<b>5441550</b>	<b>WHEEL BEARING KIT REAR 1964-72 WITH TAB WASHER</b>	<b>DKK543.11</b>
<b>2</b>	<b>5441560</b>	<b>WHEEL BEARING KIT REAR 1972-93 WITH SHRINK RING</b>	<b>DKK495.33</b>
<b>2</b>	<b>5441571</b>	<b>WHEEL BEARING REAR - 1900 / 101 1600 /105/115 RACING</b>	<b>DKK818.57</b>
<b>3</b>	<b>2330270</b>	<b>OIL SEAL WHEEL BEARING REAR 750/101, 105 1300-1750 1962-72 52/30/10</b>	<b>DKK114.26</b>
<b>4</b>	<b>2330280</b>	<b>OIL SEAL WHEEL BEARING REAR 1300-2000 1972-93 52/34/10</b>	<b>DKK74.31</b>
<b>5</b>	<b>4521850</b>	<b>Teller/Kegelrad 10/43</b>	<b>On request</b>
<b>6</b>	<b>4531070</b>	<b>REAR ROLLER BEARING FOR PINION - 105 1300-1750, 101 1600</b>	<b>DKK774.71</b>
<b>6</b>	<b>4530900</b>	<b>REAR PINION BEARING 2000</b>	<b>DKK655.79</b>
<b>7</b>	<b>4531420</b>	<b>FRONT ROLLER BEARING FOR PINION - 105 1300-1750, 101 1600</b>	<b>DKK463.30</b>
<b>7</b>	<b>4530890</b>	<b>FRONT PINION BEARING 2000</b>	<b>DKK461.71</b>
<b>8</b>	<b>4530960</b>	<b>DIFFERENTIAL CASE BEARING, 105 1300-1750, 101 1600</b>	<b>DKK931.25</b>
<b>8</b>	<b>4530510</b>	<b>DIFFERENTIAL CASE BEARING 2000</b>	<b>DKK345.87</b>
<b>9</b>	<b>2330530</b>	<b>OIL SEAL DIFFERENTIAL CASE FRONT - 105 1300-1600, 750/101</b>	<b>DKK101.32</b>
<b>9</b>	<b>2330260</b>	<b>OIL SEAL DIFFERENTIAL 2000 74.5/45/12</b>	<b>DKK139.69</b>
<b>9</b>	<b>2331560</b>	<b>OIL SEAL DIFFERENTIAL 1750 72/40/10</b>	<b>DKK101.32</b>
<b>10</b>	<b>4541720</b>	<b>TAB WASHER PINION NUT - 105 1300-1750 , 750/101</b>	<b>DKK38.37</b>
<b>11</b>	<b>4541810</b>	<b>PINION NUT - 105 1300-1750, 750/101</b>	<b>DKK168.18</b>
<b>12</b>	<b>4541820</b>	<b>PINION NUT 2000 2000</b>	<b>DKK168.18</b>
<b>13</b>	<b>5740862</b>	<b>WHEEL STUD RIGHT HAND THREAD 105 REAR UP TO 1972, 750/101/102/106 REAR AND FRONT</b>	<b>DKK114.26</b>
<b>13</b>	<b>5740850</b>	<b>REAR WHEEL BOLT RIGHT HAND THREAD FROM YEAR 1972 105/115</b>	<b>DKK50.10</b>

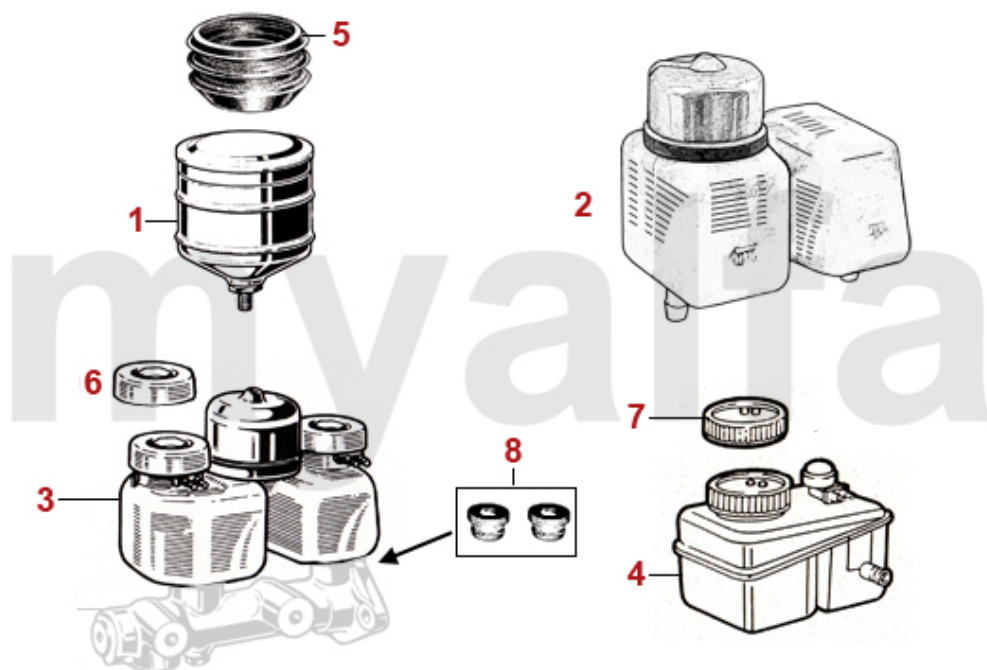


1	6101020	BRAKE DISC 1300/1600 1963-66 FRONT, DUNLOP , DIAMETER 285 mm	DKK1,407.86
2	6100050	BRAKE DISC 1300/1600 1966-67 FRONT, ATE, 1st SERIES	DKK1,557.33
3	6630481	BACKING PLATE FRONT DISK 1300-1600 LEFT	DKK387.40
3	6630482	BACKING PLATE FRONT DISK 1300-1600 RIGHT	DKK387.40
4	6100010	BRAKE DISC 1300/1600 1967-85 FRONT, DIAMETER 267 mm	DKK442.16
4	6100020	BRAKE DISC 1750/2000, 1600 1986-93 FRONT, DIAMETER 272mm	DKK633.90
4	6100060	FRONT BRAKE DISC ORIGINAL EQUIPMENT QUALITY (BREMBO) 1300/1600 1967-85, DIAMETER 267mm	On request
4	6100070	FRONT BRAKE DISC ORIGINAL EQUIPMENT QUALITY (BREMBO) 1750/2000, 1600 1986-93, DIAMETER 272mm	DKK723.86
5	6630491	BACKING PLATE FRONT BRAKE DISK1750-2000 LEFT	DKK387.40
5	6630492	BACKING PLATE FRONT BRAKE DISK 1750-2000 RIGHT	DKK387.40
6	6500560	CENTERING SCREW FOR BRAKE DISC/DRUM FRONT AND REAR	DKK14.90
7	6300910	BRAKE PADS 1300/1600 FRONT, DUNLOP	DKK766.88
8	630004F	BRAKE PADS 1300/1600 1964-85 FRONT, OEM QUALITY	DKK304.43
8	6300040	BRAKE PADS 1300/1600 1966-85 FRONT	DKK191.74
9	630005F	BRAKE PADS 1750/2000, 1600 1986-93 FRONT, OEM QUALITY	DKK333.39
9	6300050	BRAKE PADS 1750/2000, 1600 1986-93 FRONT	DKK234.02
10	6500070	RETAINING PIN SET BRAKE PADS 1300-1600 1966-85 FRONT	DKK74.31
11	6500080	RETAINING PIN SET BRAKE PADS 1750-2000, 1600 1986-93 FRONT	DKK77.48
12	6500060	RETAINING PIN SET BRALE PADS DUNLOP FRONT	DKK152.63



<b>1</b>	<b>6101030</b>	<b>BRAKE DISC 1963-66 REAR, DUNLOP</b>	<b>DKK1,291.27</b>
<b>2</b>	<b>6100030</b>	<b>BRAKE DISC 1966-93 REAR</b>	<b>DKK508.65</b>
<b>2</b>	<b>6100090</b>	<b>REAR BRAKE DISC ORIGINAL EQUIPMENT QUALITY (BREMBO) 1966-93</b>	<b>DKK547.02</b>
<b>3</b>	<b>6630500</b>	<b>REAR BRAKE DISC BACKING PLATE</b>	<b>DKK335.72</b>
<b>4</b>	<b>6500560</b>	<b>CENTERING SCREW FOR BRAKE DISC/DRUM FRONT AND REAR</b>	<b>DKK14.90</b>
<b>5</b>	<b>6301010</b>	<b>BRAKE PADS REAR 1963-66, DUNLOP</b>	<b>DKK848.28</b>
<b>6</b>	<b>630006F</b>	<b>BRAKE PADS 1300-2000 1966-93 REAR, OEM QUALITY</b>	<b>DKK285.61</b>
<b>6</b>	<b>6300060</b>	<b>BRAKE PADS 1300-2000 REAR</b>	<b>DKK199.57</b>
<b>7</b>	<b>6500090</b>	<b>RETAINING PIN SET BRAKE PADS REAR</b>	<b>DKK74.31</b>

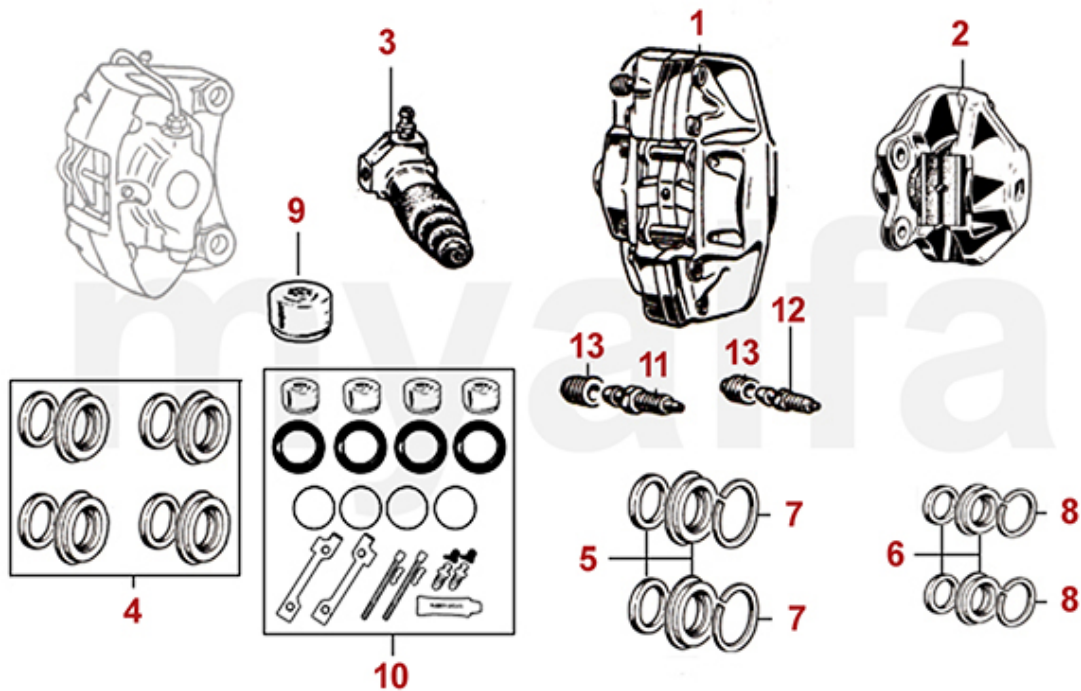
1	6721070	BRAKE MASTER CYLINDER 1300-1750 STANDING PEDALS ATE 22mm WITH BRAKE BOOSTER	DKK1,323.31
1	6720260	BRAKE MASTER CYLINDER 1300/1600 STANDING PEDALS ATE 20 mm W/O BRAKE BOOSTER	DKK1,479.01
2	6720270	BRAKE MASTER CYLINDER 1300-1750 STANDING PEDALS VERSION BENDIX/BONALDI	DKK931.25
2	6720250	MASTER BRAKE CYLINDER 1300-1750 FLOOR MOUNTED PEDALS BONALDI 1418061	DKK1,166.02
3	6720290	BRAKE MASTER CYLINDER 1300-1750 STANDING PEDALS ATE DUAL CIRCUIT SYSTEM	DKK3,873.72
4	6720930	BRAKE MASTER CYLINDER BENDIX 1300-1750 RHD DUAL CIRCUIT SYSTEM 1409334	DKK3,071.54
5	6720280	BRAKE MASTER CYLINDER HANGING PEDALS 20,6MM	DKK985.26
5	67245043	BRAKE MASTER CYLINDER ATE ORIG. HANGING PEDALS 20,6MM	DKK1,917.26
6	6770330	REPAIR KIT BMC 1300-1750 STANDING PEDALS ATE 22 mm WITH BRAKE BOOSTER	DKK244.92
6	6770440	REPAIR KIT BMC 1300/1600 STANDING PEDALS DUNLOP 22 mm WITH BRAKE BOOSTER	DKK383.49
7	6770670	REPAIR KIT HBZ 1300/1600 STANDING PEDALS BONALDI 20 mm W/O BRAKE BOOSTER	On request
8	6770340	REPAIR KIT BMC 1300-2000 HANGING PEDALS ATE 20 mm	DKK430.42
8	6770350	REPAIR KIT HBZ 1300-2000 HANGING PEDALS BONALDI 20 mm	DKK246.50
8	6770710	REPAIR KIT HBZ 1300-2000 HANGING PEDALS ATE VERSION 22 mm	DKK174.52
9	6620110	BRAKE UNION 3/8 UNF MALE BRAKE MASTER CYLINDER STANDING PEDALS	DKK21.88
10	6770640	BRAKE UNION 7/16" UNF FEEDER LINE STANDING PEDALS	DKK46.19
11	6740200	BRAKE PRESSURE REG. SYSTEM ATE	DKK1,839.03
11	6740210	BRAKE PRESSURE REG. TYPE ATE GIULIA, GT BERTONE, SPIDER 1. SERIES, MONTREAL	DKK1,759.97



<b>1</b>	<b>6771040</b>	<b>BRAKE FLUID RESERVOIR SERIES 1</b>	<b>DKK610.43</b>
<b>2</b>	<b>6770610</b>	<b>BRAKE FLUID RESERVOIR, STANDING PEDALS, HYD. CLUTCH</b>	<b>DKK555.58</b>
<b>3</b>	<b>6771110</b>	<b>BRAKE FLUID RESERVOIR FOR MASTER BRAKE CYLINDER HANGING PEDALS, 3 CAPS</b>	<b>DKK1,009.48</b>
<b>4</b>	<b>6770580</b>	<b>BRAKE FLUID RESERVOIR HANGING PEDALS</b>	<b>On request</b>
<b>5</b>	<b>6771030</b>	<b>RUBBER INSERT BRAKE FLUID RESERVOIR SERIES 1</b>	<b>DKK155.71</b>
<b>6</b>	<b>6771120</b>	<b>CAP BRAKE FLUID RESERVOIR, HANGING PEDALS</b>	<b>DKK100.20</b>
<b>7</b>	<b>4380200</b>	<b>CAP BRAKE / CLUTCH RESERVIORE HANGING PEDALS</b>	<b>DKK93.13</b>
<b>8</b>	<b>6770570</b>	<b>BRAKE FLUID RESERVOIR SEAL ATE</b>	<b>DKK41.44</b>

<b>1</b>	<b>6710230</b>	<b>BRAKE BOOSTER 1300/1600 STANDING PEDALS, SYSTEM BONALDI</b>	<b>DKK2,261.63</b>
<b>1</b>	<b>9302550</b>	<b>STICKER BONALDI / CREMA FOR BRAKE BOOSTER, SILVER</b>	<b>DKK50.85</b>
<b>1</b>	<b>6710270</b>	<b>BRAKE BOOSTER 1300-1600 STANDING PEDALS, BONALDI 1416861</b>	<b>DKK3,176.40</b>
<b>2</b>	<b>6710310</b>	<b>BRAKE BOOSTER 1750 STANDING PEDALS, SYSTEM LOCKHEED</b>	<b>DKK3,122.39</b>
<b>3</b>	<b>6710250</b>	<b>BRAKE BOOSTER 1300-2000 SYSTEM ATE, HANGING PEDALS</b>	<b>DKK1,839.03</b>
<b>3</b>	<b>6710260</b>	<b>BRAKE BOOSTER 1300-2000 SYSTEM ATE, HANGING PEDALS BENDITALIA ORIGINAL</b>	<b>DKK2,965.94</b>
<b>4</b>	<b>6711050</b>	<b>REPAIR KIT SMALL FOR BONALDI BRAKE BOOSTER</b>	<b>DKK1,009.48</b>
<b>5</b>	<b>6711060</b>	<b>REPAIR KIT FOR MEMBRANE BRAKE BOOSTER BONALDI</b>	<b>DKK1,134.73</b>
<b>6</b>	<b>6770430</b>	<b>VACUUM HOSE BRAKE BOOSTER</b>	<b>DKK147.88</b>

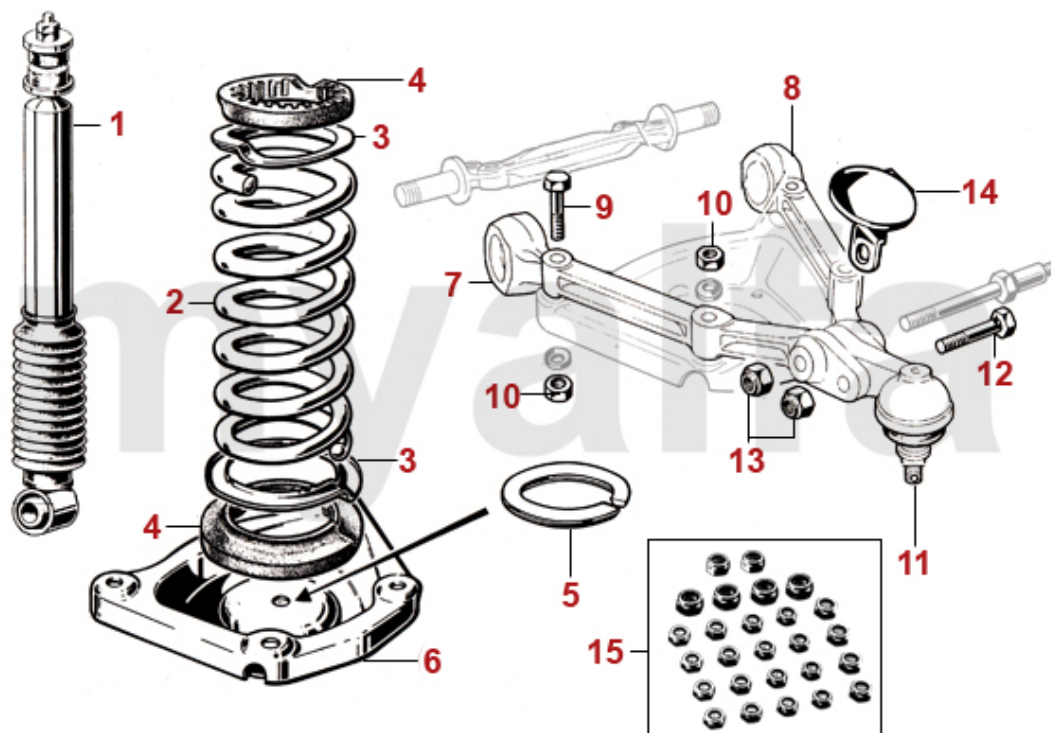
1	6750180	BRAKE LINE KIT GT BERTONE/SPIDER HANGING PEDALS	DKK539.94
2	6620860	BRAKE LINE BRAKE CALIPER SET 1300/1600 FRONT	DKK123.67
2	6620870	BRAKE LINE BRAKE CALIPER SET 1750/2000 FRONT	DKK123.67
3	6760210	BRAKE HOSE FRONT 750/101/105/106/ MONTREAL	DKK154.96
4	6760220	BRAKE HOSE REAR 750/101/105/ MONTREAL	DKK171.35
5	6770190	3 WAY BRAKE UNION REAR AXLE	DKK230.86
6	6770600	COUNTER NUT BRAKE HOSE	DKK14.90
7	6740200	BRAKE PRESSURE REG. SYSTEM ATE	DKK1,839.03
7	6740210	BRAKE PRESSURE REG. TYPE ATE GIULIA, GT BERTONE, SPIDER 1. SERIES, MONTREAL	DKK1,759.97
7	6740220	BRAKE PRESSURE REG. BONALDI GIULIA, SPIDER; GT BERTONE; ALFETTA GTV4 (116) UNTIL 1984	DKK1,055.67
8	6780010	SET (2) FRONT BRAKE LINE BRACKET	DKK333.39
9	6750100	BRAKE LINE CONNECOTR M10x1, SW14	DKK69.66



1	6610291	BRAKE CALIPER 1300-1600 1964-85 FRONT LEFT, SYSTEM ATE	DKK1,244.24
1	6610292	BRAKE CALIPER 1300-1600 1964-85 FRONT RIGHT, SYSTEM ATE	DKK1,244.24
1	6610301	BRAKE CALIPER 1750-2000, 1600 1986-93 SYSTEM ATE, FRONT LEFT	DKK1,244.24
1	6610302	BRAKE CALIPER 1750-2000, 1600 1986-93 SYSTEM ATE, FRONT RIGHT	DKK1,244.24
2	6610511	BRAKE CALIPER 1300-2000 SYSTEM ATE, REAR LEFT	DKK1,244.24
2	6610512	BRAKE CALIPER 1300-2000 SYSTEM ATE, REAR RIGHT	DKK1,244.24
3	6730771	WHEEL BRAKE CYLINDER 1300/1600 SYSTEM DUNLOP, REAR LEFT	DKK696.48
3	6730772	WHEEL BRAKE CYLINDER 1300/1600 SYSTEM DUNLOP, REAR RIGHT	DKK696.48
4	6621080	REPAIR KIT BRAKE CALIPERS FRONT DUNLOP	DKK461.71
5	6770370	BRAKE CALIPER REBUILD KIT FRONT ATE	DKK176.84
5	6770360	BRAKE CALIPER REBUILD KIT FRONT ATE PREMIUM	DKK171.35
6	6770380	BRAKE CALIPER REBUILD KIT 1964-66 ATE (30 mm), PREMIUM	DKK461.71
6	6770420	BRAKE CALIPER REBUILD KIT 1967-93 REAR ATE, 38mm PISTONS	DKK186.25
6	6770410	BRAKE CALIPER REBUILD KIT REAR 1967-93 ATE, 38mm PISTONS, PREMIUM	DKK171.35
7	6770750	STEEL SPRING CLIP DUST SEAL FRONT BRAKE CALIPER	DKK21.88
8	6770740	STEEL SPRING CLIP DUST SEAL REAR BRAKE CALIPER 38 mm PISTON	DKK21.88
9	6730810	BRAKE PISTON 1300-1600 SYSTEM DUNLOP, FRONT - 105	DKK743.42
10	6730820	REPAIR KIT BRAKE CALIPERS 1300-1600 SYSTEM DUNLOP, FRONT - 105	DKK4,061.46
10	6770450	FRONT BRAKE CALIPER REBUILD KIT WITH PISTONS, SYSTEM ATE, FOR ONE CALIPER	DKK371.76
10	6770460	REAR BRAKE CALIPER REBUILD KIT WITH PISTONS, SYSTEM ATE 38mm, FOR ONE CALIPER	DKK383.49
11	6620550	BLEEDER SCREW BRAKE CALIPER 1300/1600 FRONT/ 1300-2000 REAR, SYSTEM ATE	DKK61.46

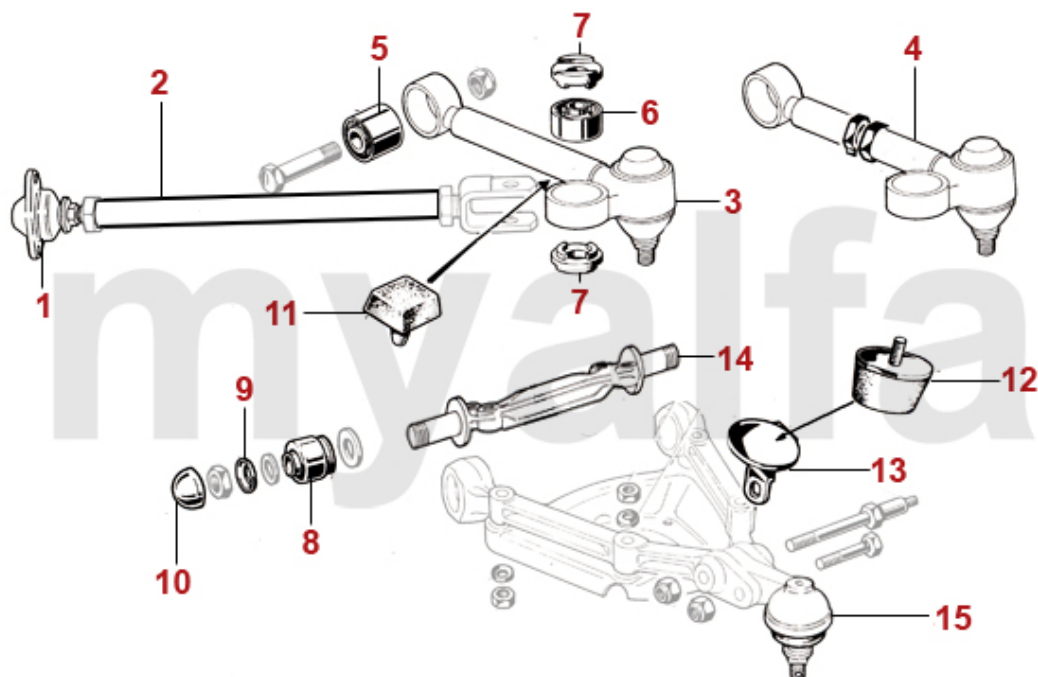
<b>12</b>	<b>6620530</b>	<b>BLEEDER SCREW BRAKE CALIPER 1750/2000 FRONT, SYSTEM ATE</b>	<b>DKK60.25</b>
<b>13</b>	<b>6770540</b>	<b>CAP BLEEDER SCREW</b>	<b>DKK12.11</b>
<b>14</b>	<b>6730850</b>	<b>LOCK SPRING ADJUSTMENT SCREW DUNLOP REAR</b>	<b>DKK147.88</b>
<b>15</b>	<b>6730840</b>	<b>RUBBER BOOT FOR ADJUSTMENT ROD DUNLOP REAR</b>	<b>DKK133.08</b>
<b>16</b>	<b>6730860</b>	<b>DUNLOP CALIPER RETURN SPRING REAR</b>	<b>DKK151.05</b>
<b>17</b>	<b>6730830</b>	<b>LOCKTAP SET BRAKE CALIPER DUNLOP FRONT</b>	<b>DKK168.28</b>

<b>1</b>	<b>6400100</b>	<b>SET BRAKE SHOES 4 PIECES</b>	<b>DKK309.08</b>
<b>2</b>	<b>6500730</b>	<b>HANDBRAKE SHOE RETAINING PIN</b>	<b>DKK36.78</b>
<b>3</b>	<b>6500760</b>	<b>HANDBRAKE SHOE RETAINING SPRING / SOFT TOP CABLE</b>	<b>DKK18.81</b>
<b>4</b>	<b>6810810</b>	<b>COUNTERPLATE FOR RETAINING PIN</b>	<b>DKK69.66</b>
<b>5</b>	<b>6500820</b>	<b>HANDBRAKE ADJUSTOR</b>	<b>DKK309.08</b>
<b>6</b>	<b>6500840</b>	<b>HANDBRAKE SHOE SPRING LONG</b>	<b>DKK50.47</b>
<b>7</b>	<b>6500850</b>	<b>HANDBRAKE SHOE SPRING SHORT</b>	<b>DKK36.78</b>
<b>8</b>	<b>6810470</b>	<b>HANDBRAKE SHOE OPERATOR LEVER</b>	<b>DKK266.06</b>
<b>9</b>	<b>6810010</b>	<b>SET HANDBRAKE PAWL END PIECE /HANDBRAKE RATCHET</b>	<b>DKK148.72</b>
<b>10</b>	<b>1760490</b>	<b>HANDBRAKE GRIP 1962-86 BLACK</b>	<b>DKK254.32</b>
<b>10</b>	<b>1760450</b>	<b>HANDBRAKE GRIP 1986-93 BLACK</b>	<b>DKK312.25</b>
<b>10</b>	<b>1760460</b>	<b>HANDBRAKE LEVER BEIGE 1986-93</b>	<b>DKK622.17</b>
<b>11</b>	<b>6800130</b>	<b>MAIN HANDBRAKE CABLE SPIDER</b>	<b>DKK465.63</b>
<b>12</b>	<b>6800151</b>	<b>REAR HANDBRAKE CABLE ATE BRAKE, 1967-93 LEFT</b>	<b>DKK93.13</b>
<b>12</b>	<b>6800141</b>	<b>REAR HANDBRAKE CABLE DUNLOP BRAKE, 1964-67 LEFT</b>	<b>DKK507.90</b>
<b>13</b>	<b>6800152</b>	<b>REAR HANDBRAKE CABLE ATE BRAKE, 1967-93 RIGHT</b>	<b>DKK93.13</b>
<b>13</b>	<b>6800142</b>	<b>REAR HANDBRAKE CABLE DUNLOP BRAKE, 1964-67 RIGHT</b>	<b>DKK507.90</b>
<b>14</b>	<b>6501330</b>	<b>FORK FIXTURE FOR HANDBRAKE LEVER</b>	<b>DKK74.31</b>



<b>1</b>	<b>5120050</b>	<b>SHOCK ABSORBER FRONT BILSTEIN GAS PRESSURE</b>	<b>DKK1,166.02</b>
<b>1</b>	<b>5121490</b>	<b>SHOCK ABSORBER FRONT KONI YELLOW ADJUSTABLE</b>	<b>DKK1,016.55</b>
<b>1</b>	<b>5120030</b>	<b>SHOCK ABSORBER FRONT KONI RED ADJUSTABLE</b>	<b>DKK1,008.73</b>
<b>1</b>	<b>5110010</b>	<b>SHOCK ABSORBER FRONT</b>	<b>DKK547.02</b>
<b>2</b>	<b>5190050</b>	<b>DUST CAPS FOR SHOCK ABSORBERS (SET FOR ONE CAR) 105/115</b>	<b>DKK774.71</b>
<b>3</b>	<b>5190040</b>	<b>SET FRONT LOWER SHOCK ABSORBERRUBBERS 105/115</b>	<b>DKK70.50</b>
<b>4</b>	<b>5140080</b>	<b>SPRING 1969-93 FRONT</b>	<b>DKK696.48</b>
<b>5</b>	<b>5180170</b>	<b>METAL SEAT FRONT SPRING UPPER / LOWER</b>	<b>DKK74.31</b>
<b>6</b>	<b>5180160</b>	<b>RUBBER SEAT FRONT SPRING UPPER / LOWER</b>	<b>DKK74.31</b>
<b>7</b>	<b>5181690</b>	<b>SPACER FRONT SPRING 10 mm</b>	<b>DKK226.95</b>
<b>7</b>	<b>5180180</b>	<b>FRONT SPRING SPACER ALUMINIUM 6 mm</b>	<b>DKK219.12</b>
<b>8</b>	<b>5180131</b>	<b>SPRING PAN LEFT SHALLOW 1986-93</b>	<b>DKK383.49</b>
<b>8</b>	<b>5180132</b>	<b>FRONT SPRING PAN DEEP RIGHT 1986-93</b>	<b>DKK383.49</b>
<b>9</b>	<b>5331170</b>	<b>FRONT WISHBONE ARM USED</b>	<b>On request</b>
<b>10</b>	<b>5331180</b>	<b>REAR WISHBONE ARM USED</b>	<b>On request</b>
<b>11</b>	<b>5191200</b>	<b>SCREW SPRING PAN</b>	<b>DKK25.80</b>
<b>12</b>	<b>5191210</b>	<b>NUT SPRING PAN SCREW</b>	<b>DKK15.65</b>
<b>13</b>	<b>5330230</b>	<b>BOTTOM BALL JOINT</b>	<b>DKK277.79</b>
<b>14</b>	<b>2280170</b>	<b>SCREW BALL JOINT HIGH STRENGTH</b>	<b>DKK50.85</b>
<b>15</b>	<b>5191240</b>	<b>SAFETY NUT BOTTOM BALL JOINT</b>	<b>On request</b>
<b>16</b>	<b>5521191</b>	<b>BUMP STOP PLATE LEFT</b>	<b>On request</b>
<b>16</b>	<b>5521192</b>	<b>BUMP STOP PLATE RIGHT</b>	<b>On request</b>
<b>17</b>	<b>5191220</b>	<b>BOLT SHOCK ABSORBER 105 / 115 / MONTREAL</b>	<b>DKK168.28</b>
<b>18</b>	<b>5451050</b>	<b>SELF LOCKING NUTS FOR SUSPENSION TYPE 105 - 1 SET (38 PIECES)</b>	<b>DKK254.32</b>

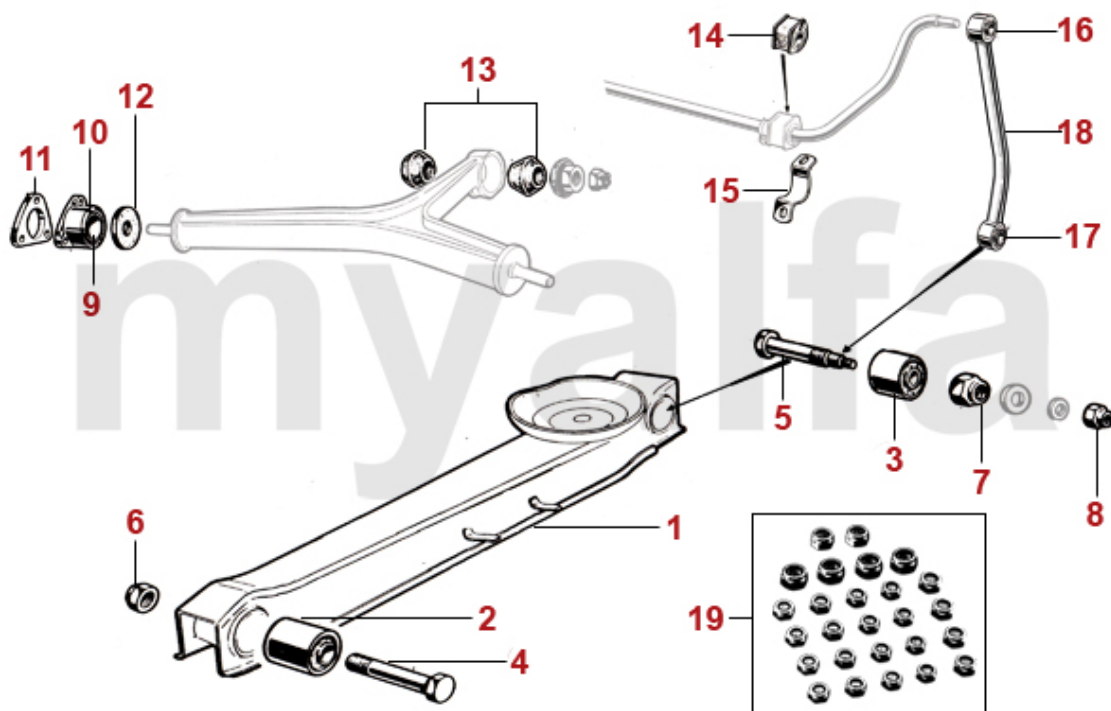
1	5421291	AXLE LEG 1750/2000, 1600 1986-93 LEFT	On request
1	5421292	AXLE LEG 1750/2000, 1600 1986-93 RIGHT	On request
2	6631321	FRONT BRAKE LINE BRACKET LEFT	On request
2	6631322	FRONT BRAKE LINE BRACKET RIGHT	On request
3	5521311	STEERING ARM LEFT	On request
3	5521312	STEERING ARM RIGHT	On request
4	5440280	WHEEL BEARING KIT FRONT 101/105/115	DKK421.76
4	5440200	INNER WHEEL BEARING SKF 1900/750/101/105/115	DKK176.10
4	5440300	OUTER FRONT WHEEL BEARING SKF 101/105/115	DKK305.17
5	2330290	OIL SEAL WHEEL BEARING FRONT	DKK85.30
6	5461000	THRUST WASHER FRONT WHEEL BEARING	On request
7	5461012	CROWN NUT WHEEL BEARING RIGHT	DKK122.09
7	5461011	CROWN NUT WHEEL BEARING LEFT	DKK122.09
8	5190990	GREASE CAP FRONT WHEEL BEARING	DKK54.01
9	5440290	COTTER PIN FRONT WHEEL BEARING	DKK3.54
10	5431300	FRONT WHEEL HUB	On request
11	5740831	FRONT WHEEL STUD LEFT HAND THREAD	DKK54.01
11	5740832	FRONT WHEEL STUD RIGHT HAND THREAD	DKK36.78



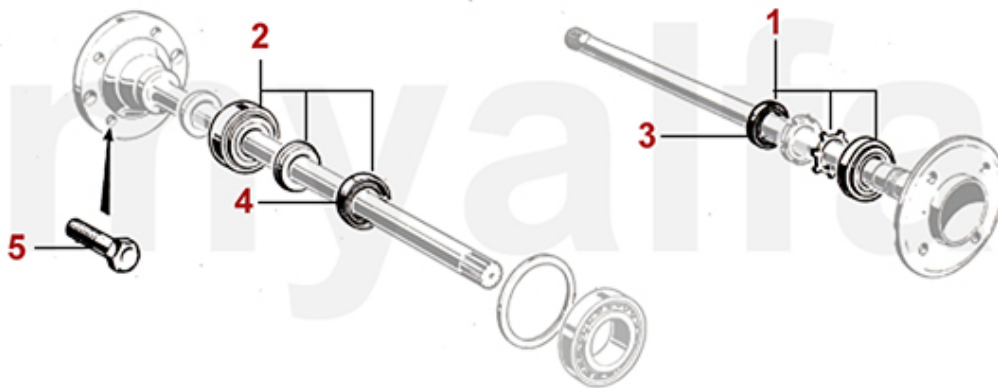
1	5340220	CASTOR ARM BALL JOINT	DKK265.31
2	5340200	CASTOR ARM WITHOUT BALL JOINT	DKK280.96
3	5330191	TOP SUSPENSION ARM LEFT WITH BUSHINGS WITHOUT CAP CASTOR ARM BUSH	DKK703.56
3	5330192	TOP SUSPENSION ARM RIGHT WITH BUSHINGS WITHOUT CAP CASTOR ARM BUSH	DKK703.56
4	5331650	SET ADJUSTABLE TOP ARMS WITH BUSHINGS WITHOUT CASTOR ARM BUSH	On request
4	5331651	ADJUSTABLE TOP ARM LEFT WITH BUSHINGS WITHOUT CAP CASTOR ARM BUSH	DKK1,193.40
4	5331652	ADJUSTABLE TOP ARM RIGHT WITH BUSHINGS WITHOUT CAP CASTOR ARM BUSH	DKK1,193.40
5	5350200	TOP ARM INNER BUSH	DKK93.13
6	5340640	CASTOR ARM BUSH 19 mm HIGH	DKK70.40
6	5340210	CASTOR ARM BUSH 23 mm HIGH	DKK90.80
7	5350460	SPACER (SET) FOR CASTOR ARM BUSH 19mm	DKK61.84
8	5350240	BOTTOM WISHBONE BUSH	DKK349.03
9	5191150	TAB WASHER BOTTOM WISHBONE BUSH	DKK38.37
10	5190680	WISHBONE BUSH END CAP	DKK54.01
11	5190260	UPPER BUMP STOP 1969-93	DKK69.66
11	5190560	SET UPPER BUMP STOP FRONT 1962-68	DKK403.05
12	5190580	LOWER BUMP STOP FRONT WITH BOLT	DKK132.24
13	5521191	BUMP STOP PLATE LEFT	On request
13	5521192	BUMP STOP PLATE RIGHT	On request
14	5331120	WISHBONE USED	On request
15	5330230	BOTTOM BALL JOINT	DKK277.79
16	5350650	OE.60701972 HEX CASTLE NUT M12x1.5 SUSPENSION, STEERING	DKK22.72
17	5351230	OUTER SCREW BOTTOM BALL JOINT	DKK30.55

<b>1</b>	<b>5240390</b>	<b>BRACKET FRONT ANTI ROLL BAR RUBBER</b>	<b>DKK68.45</b>
<b>2</b>	<b>5240380</b>	<b>ANTI-ROLL BAR RUBBER FRONT SET (2) 105, 102 20000, 106 2600</b>	<b>DKK100.95</b>
<b>3</b>	<b>5240950</b>	<b>FRONT LOWER ANTI-ROLL BAR BUSH - 750/101/105 1ST SERIES</b>	<b>DKK48.89</b>
<b>4</b>	<b>5240430</b>	<b>REAR DROP LINK UPPER BUSH</b>	<b>DKK77.48</b>
<b>5</b>	<b>5240370</b>	<b>FRONT UPPER ANTI ROLL BAR DROP LINK BUSH 30 mm</b>	<b>DKK77.48</b>
<b>5</b>	<b>5240880</b>	<b>FRONT UPPER/LOWER ANTI ROLL BAR DROP LINK BUSH 33 mm,</b>	<b>DKK93.13</b>
<b>5</b>	<b>5240010</b>	<b>FRONT ANTI ROLL BAR DROP LINK BUSH - 105/115 LOWER 1968&gt;, 1900/102/106 - OUTER DIAMETER 30.20mm // INNER DIAMETER 14.10mm</b>	<b>DKK77.11</b>
<b>6</b>	<b>5190930</b>	<b>BOLT SPRING (HIGH-STRENGTH STEEL) PAN / DROP LINK 1969-86</b>	<b>DKK210.93</b>
<b>6</b>	<b>5190940</b>	<b>BOLT SPRING PAN / DROP LINK 105</b>	<b>DKK147.88</b>
<b>7</b>	<b>5191360</b>	<b>SPRING PAN TO DROP LINK BOLT 1968-86</b>	<b>DKK187.00</b>
<b>8</b>	<b>5191370</b>	<b>SPRING PAN TO DROP LINK BOLT 1986-93</b>	<b>DKK152.63</b>
<b>9</b>	<b>5211350</b>	<b>FRONT ANTI ROLL BAR DROP LINK WITH BUSHINGS 1968-86</b>	<b>DKK223.03</b>
<b>10</b>	<b>5231021</b>	<b>FRONT ANTI ROLL BAR DROP LINK SPIDER 1986-93 LEFT</b>	<b>DKK273.88</b>
<b>10</b>	<b>5231022</b>	<b>FRONT ANTI ROLL BAR DROP LINK SPIDER 1986-93 RIGHT</b>	<b>DKK273.88</b>
<b>11</b>	<b>5240330</b>	<b>WASHER SET FOR ANTI-ROLL-BAR DROP LINK - 750/101/105 1ST SERIES</b>	<b>DKK383.49</b>

1	5120060	SHOCK ABSORBER REAR BILSTEIN GAS PRESSURE	DKK1,166.02
1	5121500	SHOCK ABSORBER REAR KONI YELLOW ADJUSTABLE	DKK1,016.55
1	5120040	SHOCK ABSORBER REAR KONI RED ADJUSTABLE	DKK1,008.73
1	5110020	SHOCK ABSORBER REAR	DKK547.02
2	5190050	DUST CAPS FOR SHOCK ABSORBERS (SET FOR ONE CAR) 105/115	DKK774.71
3	5191700	SET UPPER CAP REAR SHOCK ABSORBER (2 pc)	DKK402.21
3	5140490	SPRING GT BERTONE / SPIDER 1968-89 REAR HEAVY DUTY	DKK543.85
4	5140500	SPRING GIULIA, SPIDER 1988-93 REAR	DKK662.03
5	5180470	UPPER METAL SEAT REAR SPRING	DKK93.13
6	5180140	UPPER RUBBER SEAT REAR SPRING	DKK77.48
7	5181030	SPACER REAR SPRING 11mm	DKK510.23
7	5181040	SPACER REAR SPRING 16mm	DKK510.23
7	5181050	SPACER REAR SPRING 21mm	DKK618.26
8	5190270	UPPER BUMP STOP REAR AXLE VERSION FOR 31mm REBOUND STRAP	DKK116.59
9	5190590	SCREW REAR UPPER BUMP STOP	DKK18.81
10	5190870	Bump Stop Spacer	DKK320.07
11	5190030	REBOUND STRAP GUIDE PANEL UNDER UPPER STOP REAR AXLE ONE BENDED END	DKK96.29
12	5190540	REBOUND STRAP GUIDE PANEL UNDER UPPER BUMP STOP REAR AXLE TWO BENDED ENDS	DKK100.95
13	5190530	FITTING KIT FOR ONE REBOUND STRAP 31 mm	DKK100.95
14	4540362	INNER REBOUND STRAP REAR 31 mm	DKK97.78
14	4541050	REAR REBOUND STRAP SET (4PC) ORIGINAL MATERIAL	DKK696.48
15	4540361	OUTER REBOUND STRAP REAR 31 mm	DKK97.78



1	5320310	REAR TRAILING ARM 1968-93, WITHOUT BUSHINGS	DKK923.43
2	5341540	FRONT TRAILING ARM BUSH 1962-68, DIAMETER 36 mm	DKK217.54
2	5340320	FRONT TRAILING ARM BUSH 1968-93, DIAMETER 50 mm	DKK147.14
2	5341090	FRONT TRAILING ARM BUSH 1968-93, DIAMETER 50 mm HEAVY DUTY	DKK201.15
3	5340330	REAR TRAILING ARM BUSH 1962-93	DKK147.14
3	5341100	REAR TRAILING ARM BUSH 1962-93, HEAVY DUTY	DKK201.15
4	5190910	FRONT SCREW TRAILING ARM	DKK54.01
5	5350920	BOLT FOR REAR OF TRAILING ARM	DKK168.28
6	5190650	SAFETY NUT FRONT SCREW TRAILING ARM	DKK30.55
7	5350660	BIG SAFETY NUT FOR TRAILING ARM BOLT	DKK33.62
8	5350670	SMALL SAFETY NUT FOR TRAILING ARM BOLT	DKK12.94
9	5350551	T-BAR END BUSH	DKK234.02
10	5350552	T-BAR END BUSH HOUSING	DKK305.17
11	5351860	T-BAR SPACER 2 mm	On request
12	5350970	T-BAR END RUBBER WASHER RUBBER	DKK41.44
13	5350450	T-BAR CONICAL BUSH	DKK32.87
13	5351460	T-BAR CONICAL BUSH HEAVY DUTY	DKK62.21
14	5240420	ANTI-ROLL BAR RUBBER REAR SET (2) 105, 115	DKK108.77
15	5240440	BRACKET REAR ANTI ROLL BAR REAR	DKK108.77
16	5240410	REAR DROP LINK UPPER BUSH	DKK77.48
17	5240400	REAR DROP LINK LOWER BUSH	DKK84.56
18	5231390	REAR ANTI ROLL BAR DROP LINK INCL. BUSHINGS	DKK539.94
19	5451050	SELF LOCKING NUTS FOR SUSPENSION TYPE 105 - 1 SET (38 PIECES)	DKK254.32



<b>1</b>	<b>5441550</b>	<b>WHEEL BEARING KIT REAR 1964-72 WITH TAB WASHER</b>	<b>DKK543.11</b>
<b>2</b>	<b>5441560</b>	<b>WHEEL BEARING KIT REAR 1972-93 WITH SHRINK RING</b>	<b>DKK495.33</b>
<b>2</b>	<b>5441570</b>	<b>SKF WHEEL BEARING SET 1972-93</b>	<b>DKK899.96</b>
<b>3</b>	<b>2330270</b>	<b>OIL SEAL WHEEL BEARING REAR 750/101, 105 1300-1750 1962-72 52/30/10</b>	<b>DKK114.26</b>
<b>4</b>	<b>2330280</b>	<b>OIL SEAL WHEEL BEARING REAR 1300-2000 1972-93 52/34/10</b>	<b>DKK74.31</b>
<b>5</b>	<b>5740862</b>	<b>WHEEL STUD RIGHT HAND THREAD 105 REAR UP TO 1972, 750/101/102/106 REAR AND FRONT</b>	<b>DKK114.26</b>
<b>5</b>	<b>5740850</b>	<b>REAR WHEEL BOLT RIGHT HAND THREAD FROM YEAR 1972 105/115</b>	<b>DKK50.10</b>

<b>1</b>	<b>5740981</b>	<b>WHEEL NUT STEEL WHEEL OPEN END LEFT HAND THREAD</b>	<b>DKK46.38</b>
<b>1</b>	<b>5740982</b>	<b>WHEEL NUT STEEL WHEEL OPEN END RIGHT HAND THREAD</b>	<b>DKK43.02</b>
<b>1</b>	<b>5740971</b>	<b>WHEEL NUT BRASS 22mm OPEN LEFT HAND THREAD, TAPERED FLANGE</b>	<b>DKK61.84</b>
<b>1</b>	<b>5740972</b>	<b>WHEEL NUT BRASS 22mm OPEN RIGHT HAND THREAD, TAPERED FLANGE</b>	<b>DKK58.67</b>
<b>2</b>	<b>5740842</b>	<b>WHEEL NUT STANDARD 2000 RIGHT HAND THREAD</b>	<b>DKK43.02</b>
<b>3</b>	<b>5741481</b>	<b>WHEEL NUT STANDARD 2000 CHROMED, LEFT HAND THREAD</b>	<b>DKK69.66</b>
<b>3</b>	<b>5741482</b>	<b>WHEEL NUT STANDARD 2000 CHROMED, RIGHT HAND THREAD</b>	<b>DKK66.49</b>
<b>4</b>	<b>5740942</b>	<b>WHEEL NUT ALUMINIUM WHEEL HIGH GLOSS CHROMED, RIGHT HAND THREAD</b>	<b>DKK30.45</b>
<b>4</b>	<b>5740941</b>	<b>WHEEL NUT ALUMINIUM WHEEL HIGH GLOSS CHROMED, LEFT HAND THREAD</b>	<b>DKK30.45</b>
<b>5</b>	<b>5741951</b>	<b>WHEEL NUT CROMODORA ALUMINIUM WHEEL LEFT HAND THREAD</b>	<b>DKK54.01</b>
<b>5</b>	<b>5741952</b>	<b>WHEEL NUT ALUMINIUM WHEEL CROMODORA RIGHT HAND THREAD</b>	<b>DKK54.01</b>
<b>6</b>	<b>5741710</b>	<b>LOCK SET ALUMINIUM WHEEL RIGHT HAND THREAD</b>	<b>DKK302.84</b>



<b>1</b>	<b>5742620</b>	<b>WHEEL SPACERS 2x5mm</b>	<b>DKK461.71</b>
<b>2</b>	<b>5742630</b>	<b>WHEEL SPACERS 2x8mm</b>	<b>DKK539.94</b>
<b>3</b>	<b>5742000</b>	<b>WHEEL SPACERS 2x10mm, STEEL WHEELS ONLY</b>	<b>DKK618.26</b>
<b>4</b>	<b>5741980</b>	<b>WHEEL SPACERS 2x20mm</b>	<b>DKK1,479.01</b>
<b>5</b>	<b>5741990</b>	<b>WHEEL SPACERS 2x30mm</b>	<b>DKK1,713.78</b>



<b>2</b>	<b>5710010</b>	<b>STEEL WHEEL 5.5x14, ET24, (BIG HUBCAP)</b>	<b>DKK1,009.48</b>
<b>3</b>	<b>5723380</b>	<b>ALUMINIUM WHEEL CAMPAGNOLO MILLE RHIGE 5.5x14, OFFSET 38,4x108mm</b>	<b>On request</b>
<b>4</b>	<b>5710030</b>	<b>STEEL WHEEL 5.5x14, ET24, (SMALL HUBCAP)</b>	<b>DKK1,009.48</b>
<b>5</b>	<b>5722330</b>	<b>ALUMINIUM WHEEL 6x14, ET 24, SPIDER / GT BERTONE CROMODORA WITH NUTS AND CENTRE BADGE</b>	<b>DKK2,261.63</b>
<b>6</b>	<b>5722480</b>	<b>ALUMINIUM WHEEL 7x15, ET 18, SPIDER / GT BERTONE</b>	<b>DKK2,465.11</b>
<b>7</b>	<b>5722490</b>	<b>ALUMINIUM WHEEL 5-SPOKE (SET 4 PCS), 7x15, ET 25 SPIDER/GT BERTONE</b>	<b>On request</b>
<b>8</b>	<b>5722610</b>	<b>ALUMINIUM WHEEL GTA STYLE, 6x14, OFFSET 30</b>	<b>DKK1,682.49</b>
<b>9</b>	<b>5722630</b>	<b>ALU RIM GTA STYLE 6.5x14 OFFSET 17, WITH CERTIFICATE</b>	<b>DKK1,799.83</b>
<b>10</b>	<b>5722620</b>	<b>ALUMINIUM WHEEL GTA STYLE, 7x14, OFFSET 23</b>	<b>DKK1,917.26</b>
<b>11</b>	<b>5722680</b>	<b>ALUMINIUM WHEEL SPIDER SERIES 4 1990-93, 6 x15</b>	<b>DKK2,652.85</b>
<b>12</b>	<b>9202180</b>	<b>SET VALVE CAPS WITH ALFA ROMEO BADGE</b>	<b>DKK179.17</b>
<b>13</b>	<b>5741710</b>	<b>LOCK SET ALUMINIUM WHEEL RIGHT HAND THREAD</b>	<b>DKK302.84</b>



<b>1</b>	<b>5731090</b>	<b>HUBCAP SERIES 1 EMBOSSED BADGE</b>	<b>DKK696.48</b>
<b>2</b>	<b>5731100</b>	<b>HUBCAP SERIES 1 SMALL CIRCLE (PUSH ON)</b>	<b>DKK539.94</b>
<b>3</b>	<b>5730190</b>	<b>HUBCAP SERIES 1 LARGE RING</b>	<b>DKK383.49</b>
<b>4</b>	<b>5731180</b>	<b>HUBCAP SERIES 2 EMBOSSED BADGE "POLISHED"</b>	<b>DKK305.17</b>
<b>5</b>	<b>5730200</b>	<b>HUBCAP SERIES 2 WITH CENTRE BADGE "POLISHED"</b>	<b>DKK383.49</b>

<b>1</b>	<b>5510310</b>	<b>STEERING BOX CASING BURMAN</b>	<b>DKK5,157.08</b>
<b>1</b>	<b>55120938</b>	<b>STEERING BOX BURMAN MODELS WITH UMBRELLA HANDBRAKE</b>	<b>DKK5,861.38</b>
<b>2</b>	<b>5510030</b>	<b>STEERING GEAR REPAIR</b>	<b>DKK12,481.92</b>
<b>3</b>	<b>5510330</b>	<b>BALL STEERING BOX BURMAN</b>	<b>DKK23.47</b>
<b>4</b>	<b>5510350</b>	<b>HALF MOON SEAL FOR STEERING ROD</b>	<b>DKK61.84</b>
<b>5</b>	<b>1770300</b>	<b>LOCKING TAB STEERING WHEEL 115 SPIDER FROM 1986 TO 1993</b>	<b>DKK46.56</b>
<b>5</b>	<b>1770310</b>	<b>LOCKING TAB STEERING WHEEL UNTIL 1985</b>	<b>DKK38.37</b>
<b>6</b>	<b>1770320</b>	<b>NUT STEERING WHEEL - 1900, 750/101, 102/106, 105/ 115 UNTIL 1985</b>	<b>DKK136.99</b>
<b>7</b>	<b>2334000</b>	<b>GASKET SET FOR BURMAN STEERING BOX</b>	<b>DKK147.88</b>
<b>8</b>	<b>2330210</b>	<b>OIL SEAL STEERING BOX BURMANN 28 x 40 x 7mm</b>	<b>DKK159.62</b>
<b>8</b>	<b>2331210</b>	<b>O-RING FOR BURMAN STEERING BOX SERIES 1</b>	<b>DKK35.20</b>
<b>9</b>	<b>2330170</b>	<b>OIL SEAL STEERING BOX ZF</b>	<b>DKK176.10</b>
<b>10</b>	<b>5510200</b>	<b>STEERING BOX SPIDER 1990-93</b>	<b>DKK11,660.18</b>
<b>11</b>	<b>5560210</b>	<b>STEERING UNIVERSAL SHAFT SPIDER 1990-93</b>	<b>DKK1,486.83</b>
<b>12</b>	<b>2710230</b>	<b>PULLEY POWER STEERING PUMP SPIDER 1990-93</b>	<b>On request</b>
<b>13</b>	<b>2700240</b>	<b>POLY V-BELT POWER STEERING PUMP SPIDER 1990-93</b>	<b>DKK265.31</b>
<b>14</b>	<b>5560350</b>	<b>STEERING IDLER BOX 105/115 (LEFT HAND STEERING)</b>	<b>DKK1,870.32</b>
<b>15</b>	<b>5560080</b>	<b>REPAIR KIT STEERING IDLER</b>	<b>DKK390.47</b>
<b>16</b>	<b>5560260</b>	<b>STEERING IDLER CAP AND CLAMP</b>	<b>DKK132.24</b>

<b>1</b>	<b>5540181</b>	<b>INNER TRACK ROD END LEFT HAND THREAD LEMFÖRDER</b>	<b>On request</b>
<b>1</b>	<b>5540041</b>	<b>INNER TRACK ROD END LEFT HAND THREAD</b>	<b>DKK140.06</b>
<b>2</b>	<b>5540182</b>	<b>INNER TRACK ROD END RIGHT HAND THREAD LEMFÖRDER</b>	<b>DKK328.64</b>
<b>2</b>	<b>5540042</b>	<b>INNER TRACK ROD END RIGHT HAND THREAD</b>	<b>DKK140.06</b>
<b>3</b>	<b>5540331</b>	<b>OUTER TRACK ROD END LEFT HAND THREAD LEMFÖRDER</b>	<b>On request</b>
<b>3</b>	<b>5540061</b>	<b>OUTER TRACK ROD END LEFT HAND THREAD</b>	<b>DKK152.63</b>
<b>4</b>	<b>5540332</b>	<b>OUTER TRACK ROD END RIGHT HAND THREAD LEMFÖRDER</b>	<b>On request</b>
<b>4</b>	<b>5540062</b>	<b>OUTER TRACK ROD END RIGHT HAND THREAD</b>	<b>DKK152.63</b>
<b>5</b>	<b>5540030</b>	<b>INNER TRACK ROD</b>	<b>DKK309.08</b>
<b>6</b>	<b>5540090</b>	<b>OUTER TRACK ROD</b>	<b>DKK210.93</b>
<b>7</b>	<b>5540111</b>	<b>COUNTER NUT TRACK ROD LEFT HAND THREAD</b>	<b>DKK19.56</b>
<b>8</b>	<b>5540112</b>	<b>COUNTER NUT TRACK ROD RIGHT HAND THREAD</b>	<b>DKK19.56</b>
<b>9</b>	<b>5560281</b>	<b>STEERING BUMP STOP LEFT</b>	<b>On request</b>
<b>9</b>	<b>5560282</b>	<b>STEERING BUMP STOP RIGHT</b>	<b>On request</b>



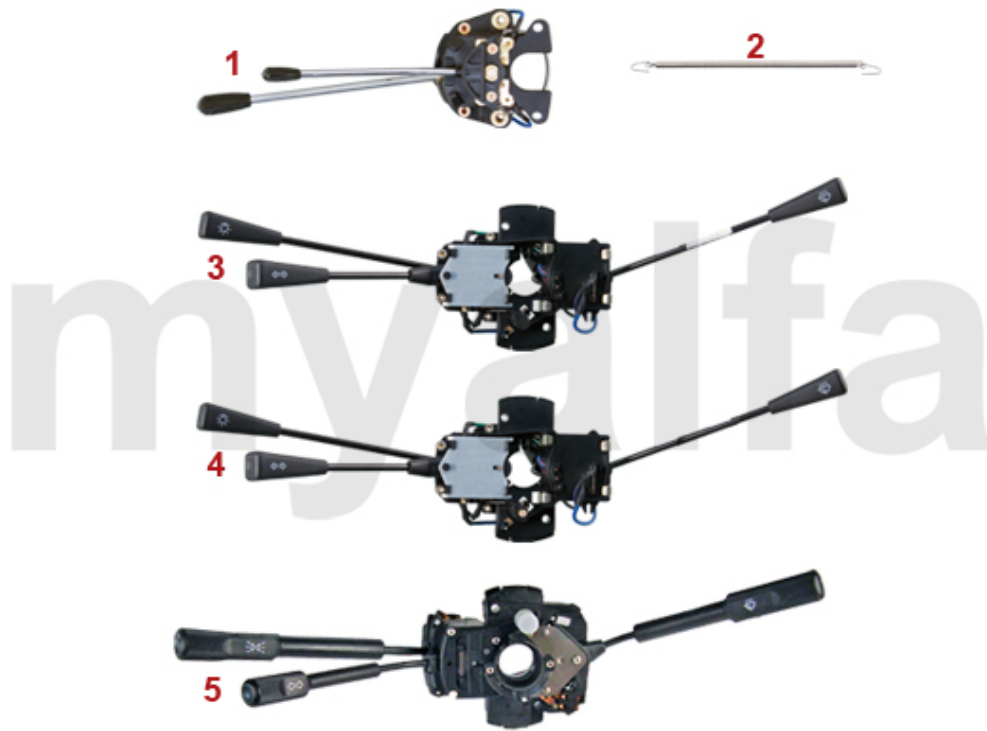
<b>1</b>	<b>8160010</b>	<b>REDOR ARM 123 DISTRIBUTOR</b>	<b>DKK195.28</b>
<b>2</b>	<b>8131790</b>	<b>DISTRIBUTOR 123 ADJUSTABLE WITHOUT VACUUM ADVANCE</b>	<b>DKK2,934.65</b>
<b>2</b>	<b>8131800</b>	<b>DISTRIBUTOR 123 ADJUSTABLE WITH VACUUM ADVANCE</b>	<b>DKK3,169.42</b>
<b>2</b>	<b>8131820</b>	<b>123 DISTRIBUTOR PROGRAMABLE VIA USB WITH VACUUM ADVANCE</b>	<b>DKK3,591.92</b>
<b>2</b>	<b>8131830</b>	<b>123 DISTRIBUTOR PROGRAMABLE VIA BLUETOOTH WITH VACUUM ADVANCE</b>	<b>DKK3,599.00</b>
<b>3</b>	<b>8150100</b>	<b>PERTRONIX IGNITOR SET BOSCH DISTRIBUTOR 1 PIECE POINT</b>	<b>DKK1,470.44</b>
<b>3</b>	<b>8150110</b>	<b>IGNITOR FOR MARELLI DISTRIBUTOR</b>	<b>DKK1,913.35</b>
<b>4</b>	<b>8131770</b>	<b>PERFORMANCE IGNITION KIT WITHOUT POINT WITH HD COIL</b>	<b>On request</b>



<b>1</b>	<b>8150030</b>	<b>POINTS MARELLI</b>	<b>DKK73.57</b>
<b>2</b>	<b>8170050</b>	<b>DISTRIBUTOR CAP MARELLI, FOR IGNITION WITH POINTS</b>	<b>DKK187.00</b>
<b>3</b>	<b>8170800</b>	<b>DISTRIBUTOR CAP MARELLI, NO POINTS</b>	<b>DKK156.08</b>
<b>4</b>	<b>8160070</b>	<b>ROTOR ARM MARELLI DISTRIBUTOR, WITH POINTS</b>	<b>DKK93.13</b>
<b>5</b>	<b>8160810</b>	<b>ROTOR ARM MARELLI DISTRIBUTOR, NO POINTS</b>	<b>DKK83.72</b>
<b>6</b>	<b>8150740</b>	<b>CONDENSER MARELLI DISTRIBUTOR</b>	<b>DKK100.20</b>

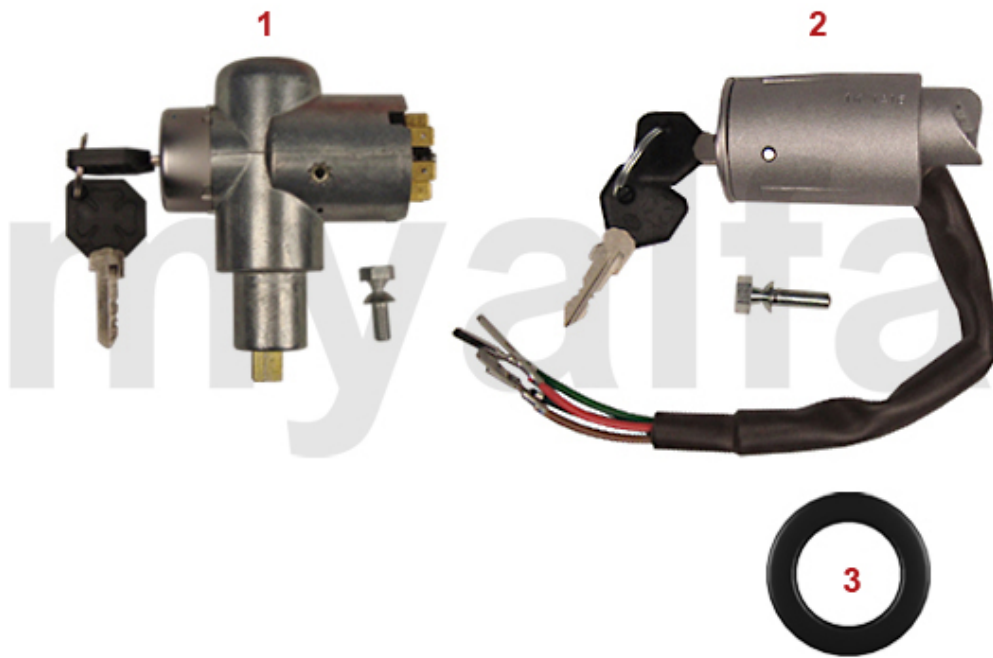


<b>1</b>	<b>8151550</b>	<b>IGNITION POINTS FOR BOSCH, 2 PIECES, 105 1963-68, 101, 106, 1900</b>	<b>DKK132.61</b>
<b>2</b>	<b>8150620</b>	<b>POINTS 1962-68 BOSCH, 2 PIECES</b>	<b>DKK114.26</b>
<b>3</b>	<b>8150280</b>	<b>POINTS 1968-89 BOSCH</b>	<b>DKK73.57</b>
<b>4</b>	<b>8170310</b>	<b>DISTRIBUTOR CAP 1962-74 BOSCH, WITH SEMI CIRCLE CUT OUT</b>	<b>DKK124.42</b>
<b>5</b>	<b>8170320</b>	<b>DISTRIBUTOR CAP 1974-93 BOSCH, NO CUT OUT</b>	<b>DKK93.13</b>
<b>6</b>	<b>8161060</b>	<b>DISTRIBUTOR ROTOR ARM, FOR BOSCH SCREWED VERSION</b>	<b>DKK234.02</b>
<b>7</b>	<b>8160360</b>	<b>ROTOR ARM BOSCH, DISTRIBUTOR WITH POINTS, PLUGGED VERSION</b>	<b>DKK85.30</b>
<b>8</b>	<b>8160820</b>	<b>ROTOR ARM BOSCH, DISTRIBUTOR NO POINTS</b>	<b>DKK163.53</b>
<b>9</b>	<b>816134</b>	<b>ROTOR SPIDER - engine with fuel injection 90-93,33</b>	<b>DKK132.24</b>
<b>10</b>	<b>8151480</b>	<b>CONDENSER 1968-74 BOSCH DISTRIBUTOR, ROUND FITTING PLUG</b>	<b>DKK66.49</b>
<b>10</b>	<b>8150750</b>	<b>CONDENSER 1968-74 ORIGINAL BOSCH ROUND GROMMET</b>	<b>DKK93.13</b>
<b>11</b>	<b>8150730</b>	<b>CONDENSER 1974-93 BOSCH DISTRIBUTOR, SQUARE FITTING PLUG</b>	<b>DKK66.49</b>
<b>11</b>	<b>8150760</b>	<b>CONDENSER FROM 1974 ON ORIGINAL BOSCH RECTANGULAR GROMMET</b>	<b>DKK93.13</b>
<b>12</b>	<b>8150790</b>	<b>CONDENSER 1962-68 BOSCH DISTRIBUTOR</b>	<b>DKK85.30</b>

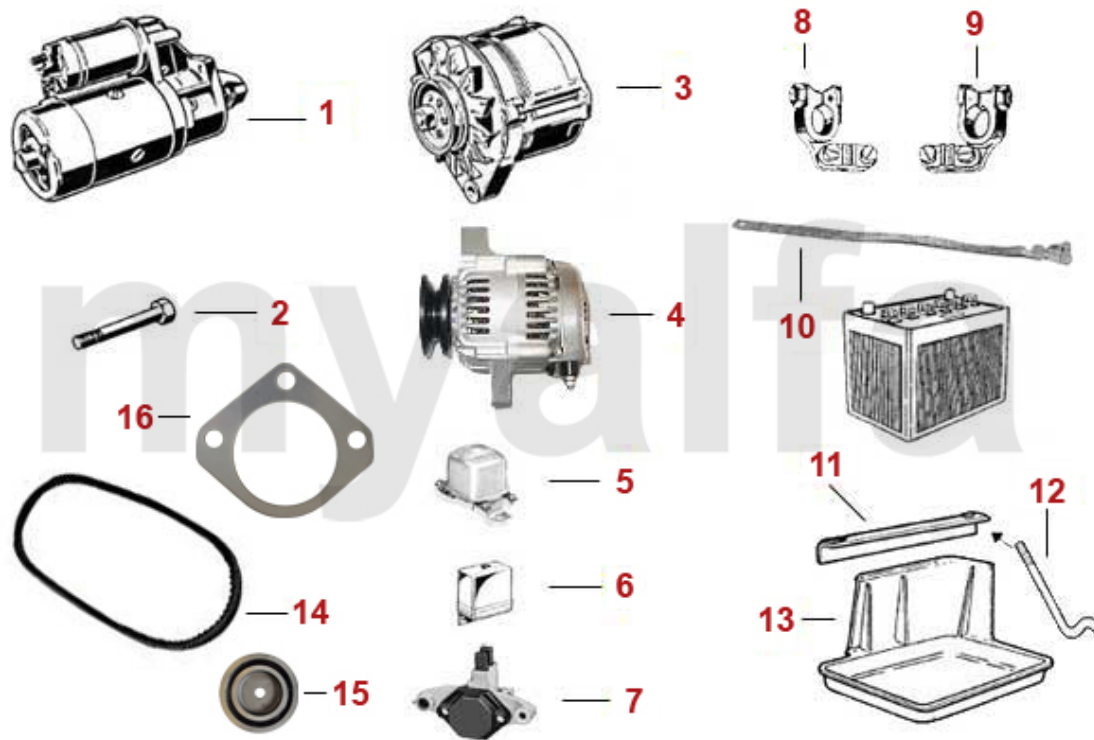


<b>1</b>	<b>8411510</b>	<b>COLUMN SWITCH 1962-80 2 HEADLIGHTS MODELS</b>	<b>DKK1,870.32</b>
<b>2</b>	<b>8431320</b>	<b>INDICATOR RETURN SPRING</b>	<b>DKK61.84</b>
<b>3</b>	<b>8430240</b>	<b>COLUMN SWITCH SPIDER 1980-86</b>	<b>DKK2,234.26</b>
<b>4</b>	<b>8430250</b>	<b>COLUMN SWITCH SPIDER 1986-89</b>	<b>DKK2,234.26</b>
<b>5</b>	<b>8430780</b>	<b>COLUMN STALKS SPIDER 1989-93</b>	<b>DKK2,234.26</b>

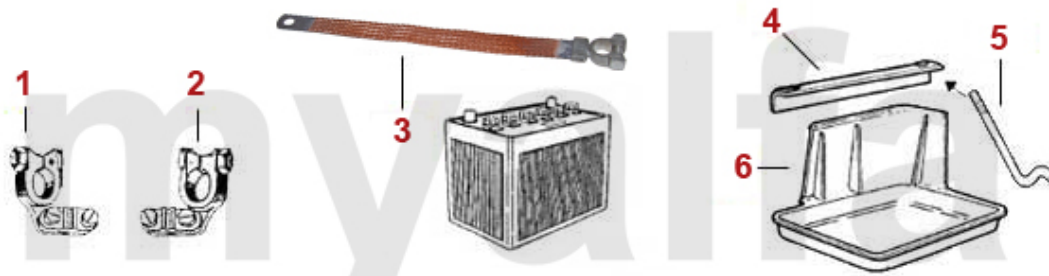
<b>1</b>	<b>8181620</b>	<b>HT LEADS 5mm CARBURETTOR MODELS, GREEN</b>	<b>DKK461.71</b>
<b>1</b>	<b>8180460</b>	<b>HT LEADS 7mm CARBURETTOR MODELS, RED</b>	<b>DKK309.08</b>
<b>1</b>	<b>8180450</b>	<b>HT LEADS 7mm CARBURETTOR MODELS, BLACK</b>	<b>DKK371.76</b>
<b>1</b>	<b>8181490</b>	<b>HT LEADS 7mm INJECTION MODELS 1987-93</b>	<b>DKK618.16</b>
<b>1</b>	<b>8181500</b>	<b>HT LEADS 7mm CARBURETTOR MODELS 1987-93</b>	<b>DKK312.25</b>
<b>1</b>	<b>8180470</b>	<b>HT LEADS 7mm CARBURETTOR MODELS PREMIUM QUALITY, RED</b>	<b>DKK382.65</b>
<b>1</b>	<b>8180480</b>	<b>HT LEADS 7mm CARBURETTOR MODELS PREMIUM QUALITY, GREEN</b>	<b>DKK371.76</b>
<b>1</b>	<b>8180490</b>	<b>HT LEADS 7mm CARBURATOR MODELS YELLOW, PREMIUM QUALITY</b>	<b>DKK383.49</b>
<b>2</b>	<b>8120420</b>	<b>IGNITION COIL CARBURETTOR HEAVY DUTY WITH RESISTOR</b>	<b>DKK919.52</b>
<b>2</b>	<b>8120200</b>	<b>IGNITION COIL CARBURETTOR STANDARD</b>	<b>DKK293.44</b>
<b>2</b>	<b>8121560</b>	<b>IGNITION COIL INJECTION SPIDER 1986-93</b>	<b>DKK586.13</b>
<b>2</b>	<b>8120210</b>	<b>IGNITION COIL CARBURETTOR MODEL ORIGINAL MAGNETI MARELLI</b>	<b>DKK467.95</b>
<b>3</b>	<b>BA2HL</b>	<b>SPARK PLUG "myalfa" 2HL</b>	<b>DKK69.66</b>
<b>3</b>	<b>BP7ES</b>	<b>OE. 60512929 SPARK PLUG NGK BP7ES</b>	<b>DKK38.37</b>
<b>3</b>	<b>B7ES</b>	<b>SPARK PLUG NGK B 7ES</b>	<b>DKK35.20</b>
<b>4</b>	<b>8181750</b>	<b>HT LEAD CLAMP FIT ON THERMOSTAT HOUSING</b>	<b>DKK132.24</b>



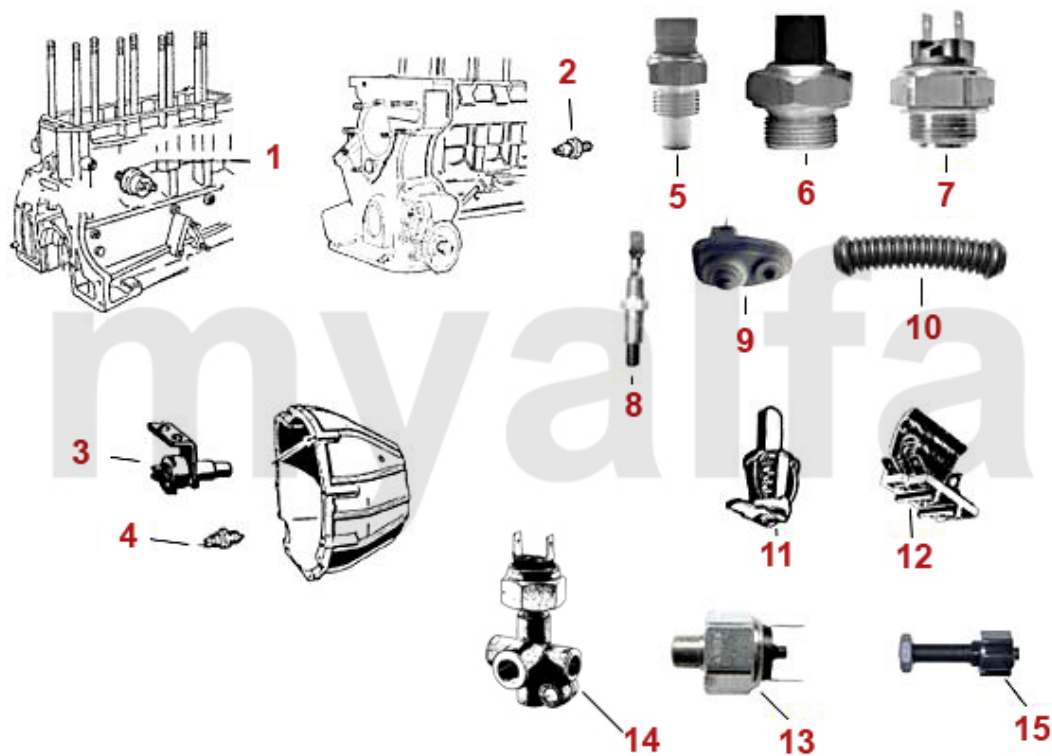
<b>1</b>	<b>8110080</b>	<b>IGNITION SWITCH RIGHT SIDE OF STEERING WHEEL</b>	<b>DKK1,087.79</b>
<b>2</b>	<b>8110670</b>	<b>IGNITION SWITCH SPIDER 1979-93, GIULIETTA Bj.&gt;1983, GTV6, WITH 3 CABLES</b>	<b>DKK1,166.02</b>
<b>2</b>	<b>8110680</b>	<b>IGNITION SWITCH SPIDER 1979-93, 4 CABLES, ALFETTA, GIULIETTA UNTIL 1983, GTV6 (116)</b>	<b>DKK1,400.79</b>
<b>3</b>	<b>1731960</b>	<b>RUBBER SURROUND IGNITION SPIDER 1980-93</b>	<b>DKK152.63</b>



1	82214960	STARTER MOTOR 9 TOOTH	DKK1,479.01
1	8220085	STARTER MOTOR, 8 TEETH, MADE IN GERMANY	DKK2,183.32
1	8220088	STARTER MOTOR RACING 8 TEETH - 105/(750/101)	DKK3,905.01
1	82214965	STARTER MOTOR, 9 TEETH, MADE IN GERMANY	DKK2,183.32
2	8220930	STARTER MOTOR MOUNTING BOLT	DKK61.84
3	8220900	SPACER PLATE STARTER	DKK93.13
4	8210780	ALTERNATOR 65A BUILT IN REGULATOR	DKK1,635.55
4	8210680	DYNAMO/GENERATOR EXCHANGE 25A DIRECT CURRENT 750 / 101 / 105 1.SERIES , DEPOSIT 300,00 EURO	DKK3,873.72
4	8210180	ALTERNATOR 65A EXTERNAL REGULATOR	DKK1,713.78
4	8210690	DYNAMO 50 A - 750/101/105 1ST S. - WITH INTEGRATED REGULATOR	DKK5,157.08
4	8210670	GENERATOR RACING, 40 A, 3.50 kg	DKK5,583.59
5	8210190	ALTERNATOR 45A BUILT IN REGULATOR, LIGHT WEIGHT 2.85 kg	DKK1,955.63
6	8231210	REGULATOR ELECTRICAL FOR BOSCH GENERATOR - 101/105 1st SERIES	DKK1,713.78
6	8231200	REGULATOR MECHANICAL, FOR BOSCH GENERATOR	DKK539.94
7	8230700	EXTERNAL REGULATOR ALTERNATOR 12V	DKK254.32
7	8230710	EXTERNAL REGULATOR ALTERNATOR 12V HELLA	DKK309.08
8	8231220	INTERNAL REGULATOR ALTERNATOR 55 A BOSCH	DKK140.06
9	2702140	V-BELT 9.5x725 DYNAMO GENERATOR	DKK89.96
9	2700700	V-BELT 9.5x825	DKK69.66
9	2700710	V-BELT 9,5x850	DKK70.03
9	2700690	V-BELT 10 x 813	DKK86.05
9	27051450	POLY V-BELT SPIDER 1990-93 A/C	DKK363.93
10	24280442	IDLER PULLEY POLY V-BELT SPIDER 1990-93 Klimaanlage	DKK1,244.24



<b>1</b>	<b>8701100</b>	<b>TERMINAL CLAMP PLUS</b>	<b>DKK38.37</b>
<b>2</b>	<b>8701110</b>	<b>TERMINAL CLAMP MINUS</b>	<b>DKK34.46</b>
<b>2</b>	<b>8701130</b>	<b>BATTERY SWITCH / MASS POLE CLAMP</b>	<b>DKK61.84</b>
<b>3</b>	<b>8701840</b>	<b>GROUND STRAP WITH TERMINAL CLAMP</b>	<b>DKK194.07</b>
<b>4</b>	<b>1190270</b>	<b>BATTERY CLAMP</b>	<b>DKK155.71</b>
<b>5</b>	<b>1190260</b>	<b>THREADED ROD (SET 2 PCS) WITH WING NUT FOR BATTERY BRACKET, STAINLESS STEEL</b>	<b>DKK179.17</b>
<b>6</b>	<b>1190250</b>	<b>BATTERY TRAY PLASTIC CARBURETTOR MODELS</b>	<b>DKK285.61</b>
<b>6</b>	<b>1191260</b>	<b>BATTERY TRAY SPIDER TRUNK MOUNTED BATTERY</b>	<b>On request</b>



<b>1</b>	<b>8610190</b>	<b>OIL PRESSURE SENDER JAEGER / VEGLIA SERIES 2</b>	<b>DKK374.83</b>
<b>1</b>	<b>8611330</b>	<b>OIL PRESSURE SENDER VEGLIA SERIES 1</b>	<b>DKK374.83</b>
<b>1</b>	<b>8610180</b>	<b>OIL PRESSURE SENDER JAEGER 1st SERIES (SHORT VERSION)</b>	<b>DKK430.42</b>
<b>2</b>	<b>8410390</b>	<b>OIL PRESSURE SWITCH</b>	<b>DKK121.34</b>
<b>3</b>	<b>8640630</b>	<b>REVERSE LIGHT SWITCH BRACKET MOUNTED</b>	<b>DKK219.12</b>
<b>4</b>	<b>8640150</b>	<b>REVERS LIGHT SWITCH SCREW-IN</b>	<b>DKK124.42</b>
<b>5</b>	<b>8620470</b>	<b>WATER TEMPERATUR SENDER</b>	<b>DKK155.71</b>
<b>5</b>	<b>8627510</b>	<b>WATER TEMPERATUR SENDER 750/101/105 1ST SERIES SINGLE CARBURETOR</b>	<b>DKK254.32</b>
<b>6</b>	<b>8621030</b>	<b>WATER TEMPERATURE SWITCH SPIDER 1986-93</b>	<b>DKK171.35</b>
<b>7</b>	<b>2631040</b>	<b>TEMPERATURE SWITCH ELECTRIC FAN SPIDER 2000 IE 1988-93</b>	<b>DKK155.71</b>
<b>8</b>	<b>8410120</b>	<b>COURTESY LIGHT SWITCH SPIDER 1966-89</b>	<b>DKK104.86</b>
<b>9</b>	<b>8411230</b>	<b>COURTESI LIGHT SWITCH SPIDER 1990-93</b>	<b>DKK104.86</b>
<b>10</b>	<b>1581560</b>	<b>DOOR CABLE DUCT SPIDER 1990-93</b>	<b>DKK55.60</b>
<b>11</b>	<b>8410130</b>	<b>COURTESY LIGHT / ENGINE COMPARTMENT / TRUNK SWITCH GT BERTONE</b>	<b>DKK77.48</b>
<b>12</b>	<b>1570140</b>	<b>LIGHT UNDER BONNET/TRUNK/ GLOVE BOX</b>	<b>DKK132.24</b>
<b>13</b>	<b>8630400</b>	<b>BRAKE LIGHT SWITCH HYDRAULIC AT T-CONNECTION</b>	<b>DKK187.83</b>
<b>14</b>	<b>8630430</b>	<b>BRAKE LIGHT SWITCH HYDRAULIC WITH DISTRIBUTOR</b>	<b>DKK853.03</b>
<b>15</b>	<b>8630410</b>	<b>BRAKE LIGHT SWITCH MECHANICAL AT BRAKE PEDAL</b>	<b>DKK100.95</b>
<b>15</b>	<b>8411460</b>	<b>BRAKE LIGHT SWITCH SPIDER 1990-93</b>	<b>DKK195.66</b>

<b>1</b>	<b>8410500</b>	<b>DASHLIGHT TOGGLE SWITCH 1300-1750</b>	<b>DKK305.17</b>
<b>2</b>	<b>8410510</b>	<b>DASHLIGHT ROCKER SWITCH SPIDER 1970-80 / MONTREAL</b>	<b>DKK461.71</b>
<b>3</b>	<b>8410550</b>	<b>HEATER FAN TOGGLE SWITCH SPIDER 1966-69 ONE POSITION</b>	<b>DKK305.17</b>
<b>4</b>	<b>8410570</b>	<b>HEATER FAN TOGGLE SWITCH ONE POSITION</b>	<b>DKK461.71</b>
<b>5</b>	<b>8410560</b>	<b>HEATER FAN TOGGLE SWITCH TWO POSITION</b>	<b>DKK461.71</b>
<b>6</b>	<b>8410580</b>	<b>HEATER FAN ROCKER SWITCH SPIDER 1970-80, MONTREAL</b>	<b>DKK539.94</b>
<b>7</b>	<b>8410720</b>	<b>HEATER FAN ROCKER SWITCH SPIDER 1980-85 GREEN</b>	<b>DKK821.64</b>
<b>8</b>	<b>8410520</b>	<b>WINDSCREEN WIPER TOGGLE SWITCH GT BERTONE / GIULIA</b>	<b>DKK461.71</b>
<b>9</b>	<b>8410530</b>	<b>WINDSCREEN WIPER TOGGLE SWITCH 101 1600, 105</b>	<b>DKK696.48</b>
<b>10</b>	<b>8410540</b>	<b>WINDSCREEN WIPER ROCKER SWITCH SPIDER 1970-80, MONTREAL</b>	<b>DKK539.94</b>
<b>11</b>	<b>8430960</b>	<b>HAZARD UPGRADE KIT 12V HELLA</b>	<b>DKK1,244.24</b>
<b>12</b>	<b>8410880</b>	<b>HAZARD LIGHT ROCKER SWITCH SPIDER US VERSION</b>	<b>DKK750.49</b>
<b>13</b>	<b>8410890</b>	<b>HAZARD LIGHT ROCKER SWITCH SPIDER</b>	<b>On request</b>
<b>14</b>	<b>1570940</b>	<b>WARNING LAMP BRAKEFLUID LEVEL</b>	<b>DKK186.25</b>



<b>1</b>	<b>8411180</b>	<b>ELECTRIC WINDOW SWITCH SPIDER 1986-93</b>	<b>DKK680.84</b>
<b>2</b>	<b>8411120</b>	<b>HEATER FAN ROCKER SWITCH SPIDER 1986-93</b>	<b>On request</b>
<b>3</b>	<b>8411150</b>	<b>DOOR MIRROR SWITCH SPIDER 1990-93</b>	<b>On request</b>



<b>1</b>	<b>1570080</b>	<b>INDICATOR LAMP FOR INDICATOR (ONE ARROW)</b>	<b>DKK172.19</b>
<b>2</b>	<b>1570010</b>	<b>INDICATOR LAMP FOR INDICATOR</b>	<b>DKK172.19</b>
<b>3</b>	<b>1570020</b>	<b>INDICATOR LAMP RED, BRAKE</b>	<b>DKK172.19</b>
<b>4</b>	<b>1570030</b>	<b>INICATOR LAMP GREEN FOR DIMMED HEADLIGHTS</b>	<b>DKK172.19</b>
<b>5</b>	<b>1570040</b>	<b>INDICATOR LIGHT BLUE FOR FULL BEAM</b>	<b>DKK172.19</b>
<b>6</b>	<b>1570050</b>	<b>INDICATOR LAMP YELLOW FOR FOG LAMP</b>	<b>DKK172.19</b>
<b>7</b>	<b>1570060</b>	<b>CLAMP FOR DASHBOARD LAMP</b>	<b>DKK11.73</b>

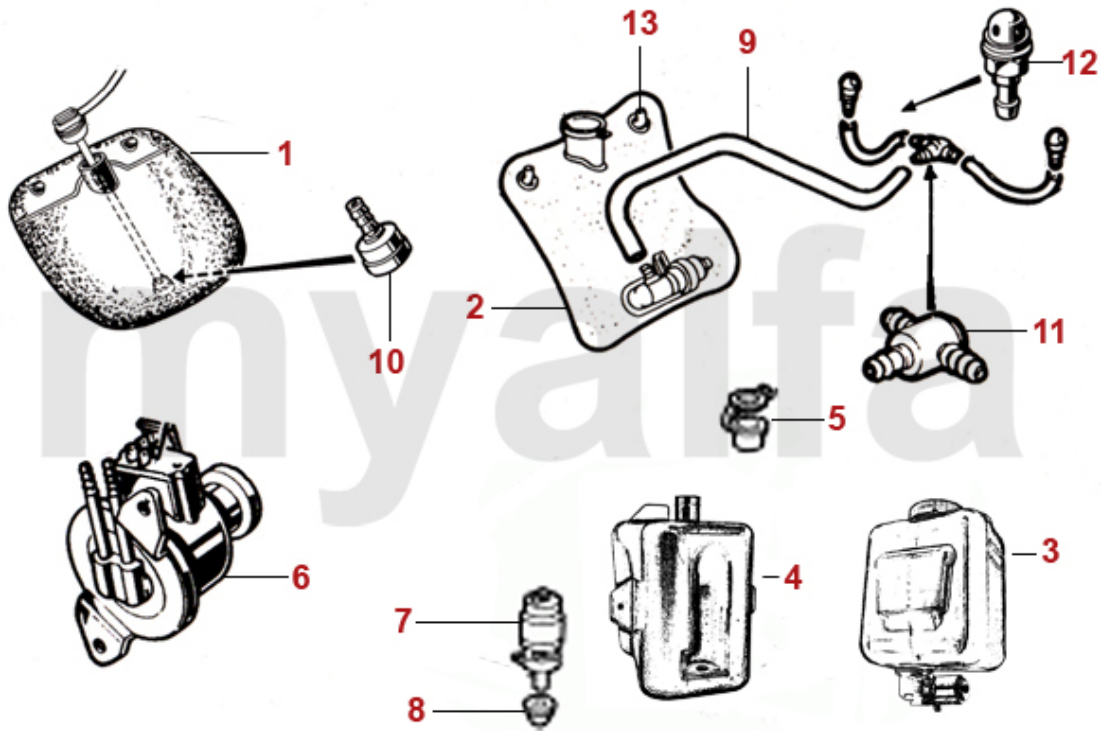
<b>0</b>	<b>8700010</b>	<b>WIRING HARNESS SPIDER 2000 1971-82</b>	<b>DKK6,143.08</b>
<b>0</b>	<b>8700060</b>	<b>WIRING HARNESS SPIDER 1750 1968-69</b>	<b>DKK5,477.15</b>
<b>1</b>	<b>8701040</b>	<b>WIRING HARNESS - 105 SPIDER 1600 BOAT TAIL</b>	<b>DKK5,626.61</b>

<b>1</b>	<b>8411150</b>	<b>DOOR MIRROR SWITCH SPIDER 1990-93</b>	<b>On request</b>
<b>2</b>	<b>8511190</b>	<b>DIGITAL CLOCK SPIDER</b>	<b>On request</b>
<b>3</b>	<b>8420740</b>	<b>INDICATOR/FLASHER METAL RELAY 3 PIN</b>	<b>DKK148.72</b>
<b>3</b>	<b>8420750</b>	<b>INDICATOR/FLASHER PLASTIC RELAY 4 PIN</b>	<b>DKK154.96</b>
<b>4</b>	<b>8421540</b>	<b>POWER RELAY</b>	<b>DKK124.42</b>
<b>5</b>	<b>8701310</b>	<b>ELECTRIC ANTENNA</b>	<b>DKK743.42</b>
<b>6</b>	<b>8701500</b>	<b>ANTENNA CABLE DIN 150cm WITH SCREW CONNECTOR</b>	<b>DKK54.39</b>
<b>6</b>	<b>8412105</b>	<b>PLATE FUSE BOX - 105 1ST SERIES - 10 FUSES, ITALIAN/ENGLISH</b>	<b>DKK187.83</b>
<b>6</b>	<b>8412106</b>	<b>FUSE BOX UNIVERSAL - 10 FUSES</b>	<b>DKK273.88</b>
<b>6</b>	<b>8412108</b>	<b>FUSE BOX - 10 FUSES, SCREW CONNECTIONS</b>	<b>DKK618.26</b>
<b>7</b>	<b>8701120</b>	<b>HORN SET LOW / HIGH</b>	<b>DKK357.60</b>
<b>8</b>	<b>8701070</b>	<b>GROUND STRAP CARBURETTOR TO BODY 120 mm</b>	<b>DKK61.84</b>
<b>8</b>	<b>8701230</b>	<b>GROUND STRAP TRANSMISSION / BODY 200 mm</b>	<b>DKK108.77</b>
<b>9</b>	<b>8701840</b>	<b>GROUND STRAP WITH TERMINAL CLAMP</b>	<b>DKK194.07</b>
<b>10</b>	<b>8701860</b>	<b>BLADE FUSE SET 2x7.5A/2x10A/3x15A/1x20A/1x25A /1x30A</b>	<b>DKK30.55</b>
<b>11</b>	<b>8701850</b>	<b>CONTINENTAL FUSE SET</b>	<b>DKK30.55</b>
<b>12</b>	<b>8412210</b>	<b>FUSE BOX 105/115 (21 CONNECTORS)</b>	<b>DKK2,073.80</b>
<b>12</b>	<b>8412220</b>	<b>FUSE BOX 105/115 (22 CONNECTORS)</b>	<b>DKK2,496.40</b>
<b>13</b>	<b>8412080</b>	<b>FUSE BOX 105 1ST SERIES (8 FUSES)</b>	<b>DKK1,479.01</b>
<b>13</b>	<b>8412100</b>	<b>FUSE BOX - 105 1ST SERIES - 10 FUSES, INCL. BRACKET</b>	<b>DKK1,682.49</b>

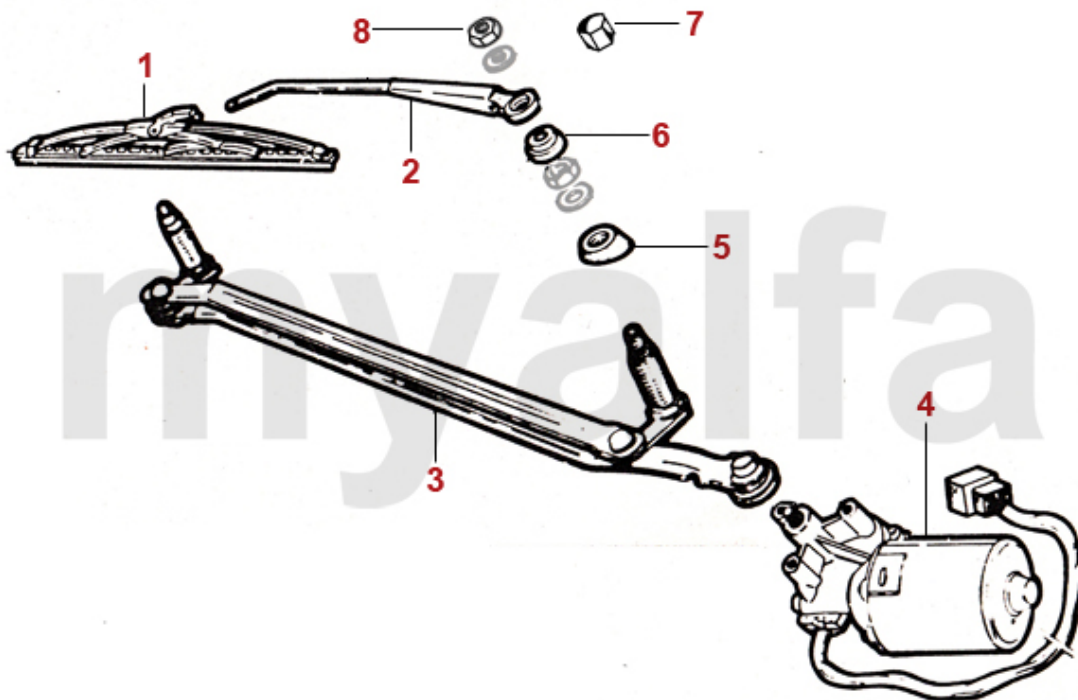


**1 9822250 BATTERY LIFE SAFER**

**DKK301.26**

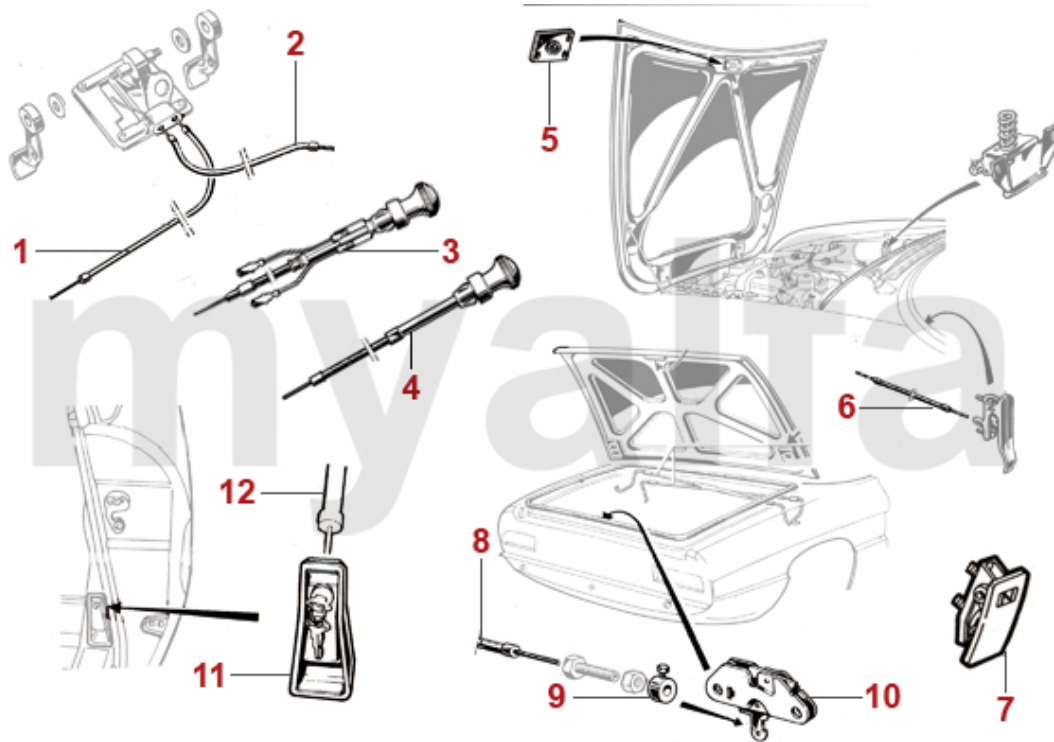


<b>1</b>	<b>8810100</b>	<b>WASHER BAG FOR MECHANICAL FOOT PUMP USE</b>	<b>DKK147.88</b>
<b>2</b>	<b>8810140</b>	<b>WASHER BAG WITH ELECTRIC PUMP</b>	<b>DKK269.97</b>
<b>2</b>	<b>8810190</b>	<b>WATER BAG FOREDIT (750/101/102/106/105)</b>	<b>DKK461.71</b>
<b>3</b>	<b>8810250</b>	<b>WINDSCREEN WASHER RESERVOIR SPIDER 1986-89 (INJECTION MODEL)</b>	<b>On request</b>
<b>4</b>	<b>8810310</b>	<b>WINDSCREEN WASHER RESERVOIR SPIDER 1990-93</b>	<b>DKK618.26</b>
<b>5</b>	<b>8810260</b>	<b>COVER CAP for washing bag - Spider 89-90</b>	<b>On request</b>
<b>6</b>	<b>8810210</b>	<b>WINDSHIELD WASHER FOOT PUMP</b>	<b>DKK508.65</b>
<b>8</b>	<b>8810300</b>	<b>ELECTRIC WASHER PUMP RUBBER GASKET SPIDER 1986-93</b>	<b>DKK35.20</b>
<b>9</b>	<b>8820120</b>	<b>WASHER HOSE 3,75 m</b>	<b>DKK57.92</b>
<b>10</b>	<b>8820150</b>	<b>NON RETURN VALVE WASHER BAG</b>	<b>DKK62.21</b>
<b>11</b>	<b>8820130</b>	<b>T-PIECE WASHER HOSE SPIDER 3 CONNECTIONS</b>	<b>DKK22.72</b>
<b>12</b>	<b>8800800</b>	<b>SPRAY NOZZLE 1 JET SPIDER</b>	<b>DKK29.71</b>
<b>12</b>	<b>8800320</b>	<b>WASHER JET CHROME (1-JET)</b>	<b>DKK116.59</b>
<b>13</b>	<b>8810120</b>	<b>WASHER BAG RETAINING CLIP</b>	<b>DKK13.69</b>

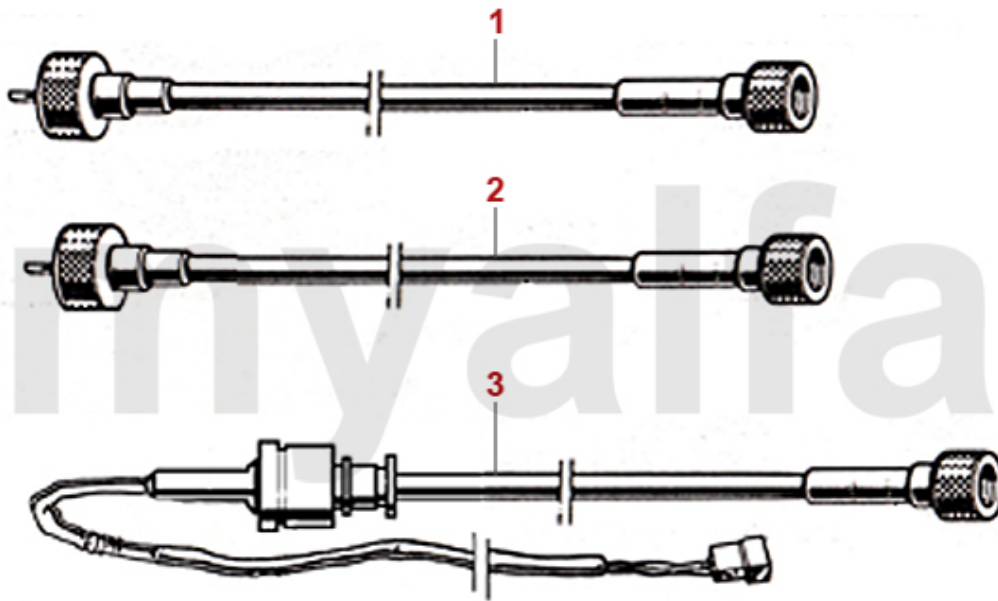


1	8830040	SET WIPER BLADES GT BERTONE/ GIULIA/ BERLINA/SPIDER 1966-69 HOOK END STAINLESS STEEL	DKK296.60
1	8830030	SET WIPER BLADES GT BERTONE/GIULIA/ BERLINA/SPIDER 1966-69 BAYONET END STAINLESS STEEL	DKK280.96
1	8830050	SET WIPER BLADES SPIDER 1970-93 BAYONET END STAINLESS STEEL ARM WIDTH 7mm	DKK305.17
1	8830020	SET WIPER BLADES SPIDER 1970-85 BAYONET END BLACK 9 mm ARM	DKK305.17
1	8830110	SET WIPER BLADES SPIDER 1986-93 HOOK END BLACK	DKK234.02
1	8830120	SET WIPER BLADES GT BERTONE/GIULIA/SPIDER 1966-69 BAYONET END STAINLESS STEEL (CARELLO DESIGN)	DKK312.25
1	8830130	SET WIPER BLADES SPIDER 1970-93 BAYONET END STAINLESS STEEL (CARELLO DESIGN)	DKK372.50
2	8830060	WIPER ARM SPIDER 1970-93 BAYONET END STAINLESS STEEL	DKK234.02
2	8830211	WIPERARM SPIDER 1966-69 HOOK END STAINLESS STEEL, LEFT	DKK312.25
2	8830212	WIPERARM SPIDER 1966-69 HOOK END STAINLESS STEEL, RIGHT	DKK312.25
3	8840240	WIPER LINKAGE SPIDER 1970-93	DKK1,917.26
3	8840380	WIPER LINKAGE SPIDER 1966-69	DKK1,792.10
4	8840480	WIPER MOTOR SPIDER 1970-85	DKK1,635.55
4	8840490	WIPER MOTOR SPIDER 1986-93	DKK1,549.51
4	8840470	WIPER MOTOR GIULIA / GT BERTONE / SPIDER 1966-69 / 3 CONNECTIONS	DKK1,479.01
5	8830190	WIPER SPINDLE CAP SPIDER 1970-93	DKK69.66
5	8830150	COVER FOR WIPER SHAFT SPIDER 1966-69 CHROMED	DKK406.96
6	8900250	CAP WIPER ARM SPIDER	DKK22.72
6	8800810	WASHER JET CHROME 1-JETS (750/101/105)	DKK77.48
6	8800820	WASHER JET CHROME 2-JETS (750/101)	DKK100.95
7	8830080	DOMED NUT WIPER ARM STAINLESS STEEL	DKK7.45
7	8830090	DOMED NUT WIPER ARM ORIGINAL ALUMINIUM	DKK11.73
8	8830100	NUT WIPER ARM	DKK7.45

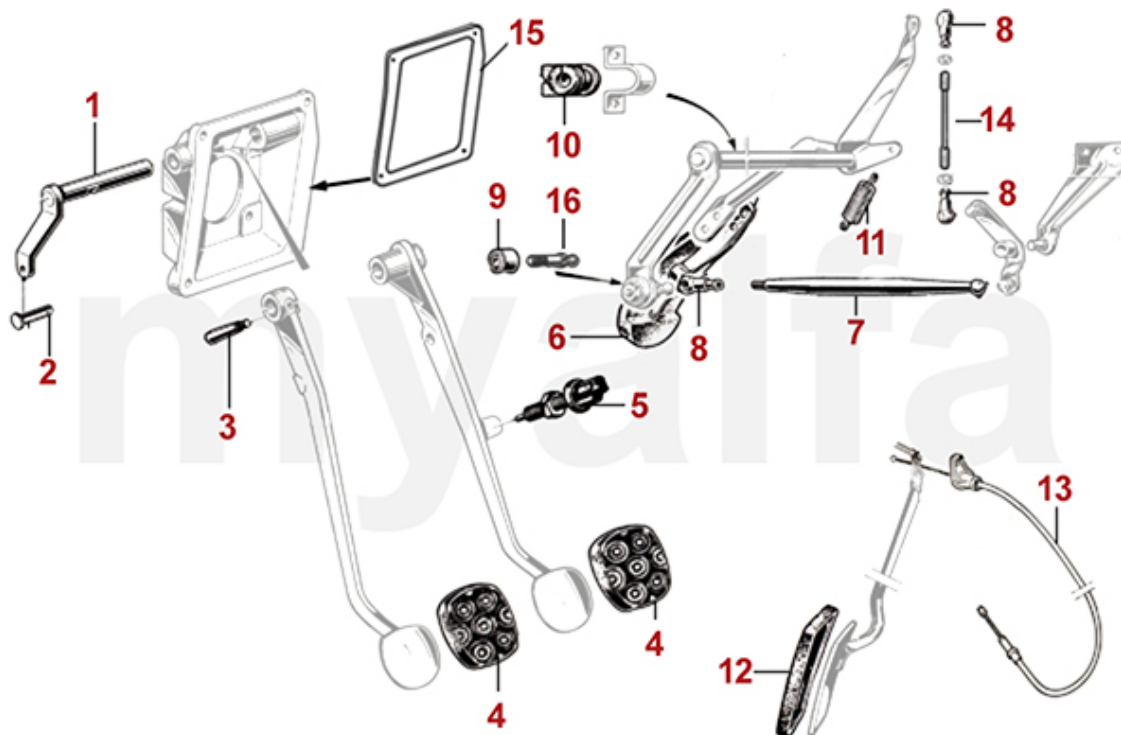
<b>9</b>	<b>8820220</b>	<b>DISTANCE BLOCK FOR WIPER SHAFTSPIDER 1970-80, UNDER THE WIND DEFLECTOR PANEL</b>	<b>DKK61.84</b>
<b>9</b>	<b>8820010</b>	<b>DISTANCE BLOCK FOR WIPER SHAFTSPIDER 1966-69, UNDER THE WIND DEFLECTOR PANEL (SET 2PC)</b>	<b>DKK413.20</b>



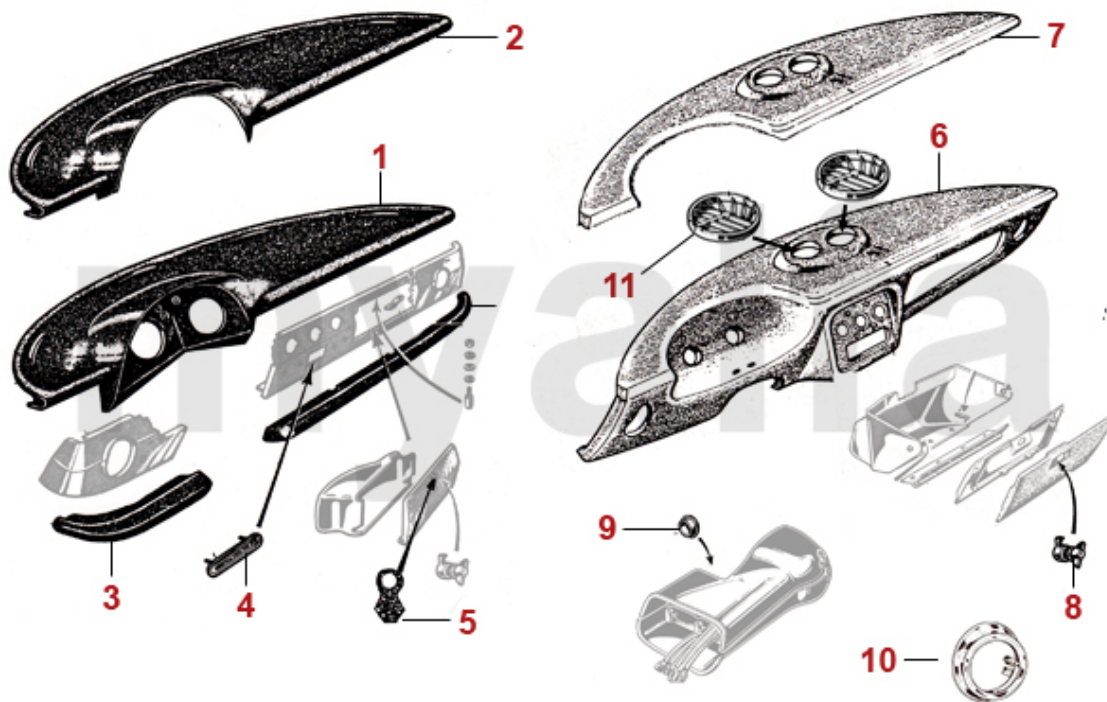
<b>1</b>	<b>1190120</b>	<b>CHOKE CABLE ALL MODELS WITHOUT CONSOLE/MANUAL THROTTLE CABLE SPIDER 1970-86 W. CONSOLE</b>	<b>DKK93.13</b>
<b>2</b>	<b>1190110</b>	<b>MANUAL THROTTLE CABLE, NOT SPIDER WITH CONSOLE</b>	<b>DKK97.78</b>
<b>3</b>	<b>1190130</b>	<b>CHOKE CABLE SPIDER 1970-86 WITH CONSOLE</b>	<b>DKK288.78</b>
<b>4</b>	<b>1190480</b>	<b>MANUAL THROTTLE CABLE FOR MODELS WITH PULL CHORD</b>	<b>DKK262.15</b>
<b>5</b>	<b>1190210</b>	<b>BONNET LATCH PLATE GT BERTONE / SPIDER</b>	<b>DKK334.97</b>
<b>6</b>	<b>1190070</b>	<b>BONNET RELEASE CABLE GT BERTONE / SPIDER</b>	<b>DKK93.13</b>
<b>7</b>	<b>1170300</b>	<b>BONNET RELEASE HANDLE SPIDER 1986-83</b>	<b>On request</b>
<b>8</b>	<b>1190030</b>	<b>BOOT LID CABLE SPIDER</b>	<b>DKK140.06</b>
<b>9</b>	<b>1190170</b>	<b>SCREWED NIPPLE BONNET CABLE</b>	<b>DKK38.37</b>
<b>10</b>	<b>1190360</b>	<b>BOOT LID LOCK SPIDER 1970-93</b>	<b>On request</b>
<b>11</b>	<b>1761270</b>	<b>BOOT RELEASE HANDLE PLASTIC BLACK</b>	<b>DKK618.26</b>
<b>11</b>	<b>1761250</b>	<b>BOOT RELEASE HANDLE CHROMED</b>	<b>DKK899.12</b>
<b>12</b>	<b>1190280</b>	<b>FUEL FILLER FLAP CABLE SPIDER</b>	<b>DKK132.61</b>



<b>1</b>	<b>8900020</b>	<b>SPEEDOMETER CABLE 1300-1600 / GT BERTONE 1750, 1890 mm</b>	<b>DKK191.74</b>
<b>1</b>	<b>8900030</b>	<b>SPEEDOMETER CABLE 2000 / SPIDER 1750 / 2000 1970-86, 2000 mm</b>	<b>DKK191.74</b>
<b>1</b>	<b>8900360</b>	<b>SPEEDOMETER CABLE SPIDER 1986-89</b>	<b>DKK227.69</b>
<b>1</b>	<b>8900200</b>	<b>SPEEDOMETER CABLE SPIDER 1990-93</b>	<b>DKK201.90</b>
<b>2</b>	<b>8900040</b>	<b>TACHOMETER CABLE 750/101/101/115 1300-1600/ GT BERTONE 1750, 1410 mm</b>	<b>DKK223.03</b>
<b>2</b>	<b>8900050</b>	<b>TACHOMETER CABLE 2000 / SPIDER 1750/2000 1970-85, 1509 mm</b>	<b>DKK191.74</b>
<b>3</b>	<b>8900420</b>	<b>SPEED SENSOR CONVERSION SPIDER1986-89</b>	<b>DKK2,965.94</b>
<b>3</b>	<b>8900410</b>	<b>SPEED SENSOR CONVERSION SPIDER1990-93</b>	<b>DKK2,887.62</b>

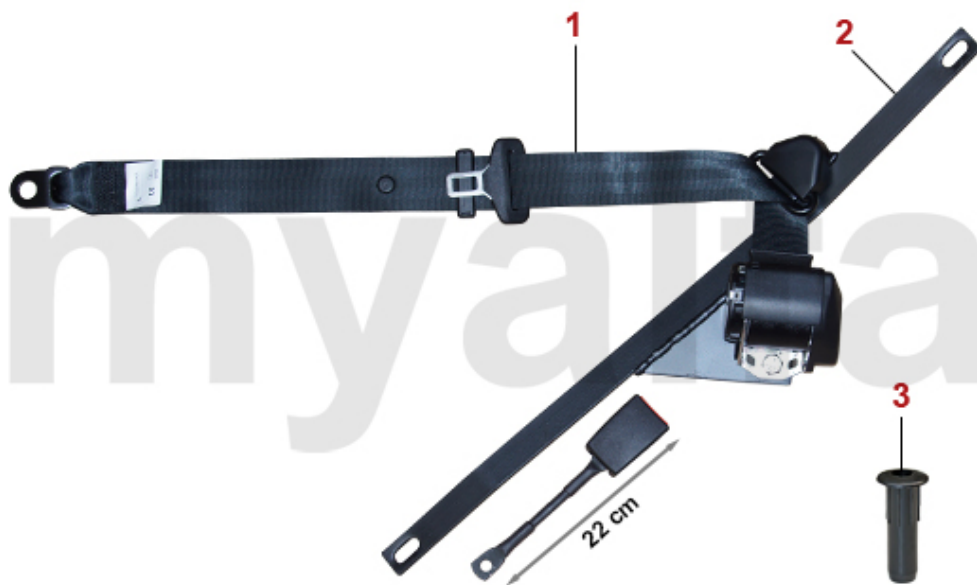


<b>1</b>	<b>4390240</b>	<b>CLUTCH PIVOT SHAFT HANGING PEDALS</b>	<b>DKK743.42</b>
<b>2</b>	<b>4390250</b>	<b>BOLT CLUTCH PIVOT SHAFT / CLUTCH MASTER CYLINDER HANGING PEDALS</b>	<b>DKK36.41</b>
<b>3</b>	<b>4390260</b>	<b>CLAMP CLUTCH PEDAL / PIVOT SHAFT HANGING PEDALS</b>	<b>DKK66.49</b>
<b>4</b>	<b>1700100</b>	<b>BRAKE / CLUTCH PEDAL RUBBER (SET 2 PC)</b>	<b>DKK77.48</b>
<b>5</b>	<b>8630410</b>	<b>BRAKE LIGHT SWITCH MECHANICAL AT BRAKE PEDAL</b>	<b>DKK100.95</b>
<b>5</b>	<b>8411460</b>	<b>BRAKE LIGHT SWITCH SPIDER 1990-93</b>	<b>DKK195.66</b>
<b>6</b>	<b>1701100</b>	<b>ACCELERATOR PEDAL STANDING PEDALS</b>	<b>DKK367.84</b>
<b>6</b>	<b>1700770</b>	<b>ACCELERATOR PEDAL HANGING PEDALS</b>	<b>DKK352.20</b>
<b>7</b>	<b>2521320</b>	<b>ADJUSTABLE ACCELERATOR ROD, LONG</b>	<b>DKK172.19</b>
<b>8</b>	<b>2521310</b>	<b>METAL THROTTLE ROD END</b>	<b>DKK30.92</b>
<b>9</b>	<b>2522160</b>	<b>BUSH ACCELERATOR LINKAGE 105/115/116, CLUTCH LINKAGE, CARBURETTOR STUD 750/101</b>	<b>DKK36.78</b>
<b>10</b>	<b>2521740</b>	<b>ACCELERATOR RUBBER MOUNT (SET)</b>	<b>DKK74.31</b>
<b>11</b>	<b>1191760</b>	<b>RETURN SPRING ACCELERATOR LINKAGE</b>	<b>DKK69.66</b>
<b>12</b>	<b>1701080</b>	<b>ACCELERATOR PEDAL RUBBER INJECTION SPIDER 1990-93</b>	<b>DKK116.59</b>
<b>13</b>	<b>1190390</b>	<b>THROTTLE CABLE INJECTION SPIDER 1986-93</b>	<b>DKK223.78</b>
<b>14</b>	<b>2521330</b>	<b>ADJUSTABLE THROTTLE ROD SHORT</b>	<b>DKK108.77</b>
<b>15</b>	<b>1630060</b>	<b>RUBBER SEAL FOR PEDAL BOX , HANGING PEDALS</b>	<b>DKK171.44</b>
<b>16</b>	<b>2520010</b>	<b>BALL JOINT FOR THROTTLE ROD</b>	<b>DKK69.66</b>



<b>1</b>	<b>1733850</b>	<b>DASHBOARD TOP SPIDER FROM 1968 ON ANGULAR STUDS</b>	<b>DKK4,687.54</b>
<b>1</b>	<b>1731580</b>	<b>DASHBOARD TOP SPIDER FROM 1966 TO 68 STRAIGHT STUDS</b>	<b>DKK4,687.54</b>
<b>2</b>	<b>1731360</b>	<b>REPAIR KIT DASH TOP SPIDER DASHBOARD</b>	<b>DKK1,839.03</b>
<b>3</b>	<b>1732310</b>	<b>LOWER DASH PADDING (SET) SPIDER METAL DASH</b>	<b>DKK1,792.10</b>
<b>4</b>	<b>1730540</b>	<b>RADIO BLANKING PLATE FOR DASHBOARD SPIDER 1966-79</b>	<b>DKK539.94</b>
<b>5</b>	<b>1732340</b>	<b>LEATHER PULL FOR GLOVE BOX LOCK</b>	<b>DKK106.44</b>
<b>7</b>	<b>1731370</b>	<b>REPAIR KIT DASH TOP SPIDER 1750/2000/1600 FROM 1981 TO 93</b>	<b>DKK1,839.03</b>
<b>8</b>	<b>1761030</b>	<b>GLOVE BOX LOCK SPIDER 1750-2000 1970-85, 1600 1981-93, BERTONE GTV 1750-2000</b>	<b>DKK696.48</b>
<b>9</b>	<b>1731960</b>	<b>RUBBER SURROUND IGNITION SPIDER 1980-93</b>	<b>DKK152.63</b>
<b>10</b>	<b>8510310</b>	<b>CHROME TRIM SMALL INSTRUMENTS</b>	<b>DKK207.39</b>
<b>11</b>	<b>1732000</b>	<b>SET DASH TOP AIR VENTS GT BERTONE, SPIDER 1750/2000 1970-85, 1600 1981-85</b>	<b>DKK774.71</b>
<b>13</b>	<b>1731900</b>	<b>STEERING COLUMN SHROUD 105/ 115 WITH DEEP DISHED STEERING WHEEL&amp; INGNITION SWITCH RIGHT</b>	<b>DKK1,948.55</b>

<b>1</b>	<b>1784010</b>	<b>GEARKNOB PLASTIC ORIGINAL WITH GEAR SHIFT GATE, PUSH ON STYLE</b>	<b>DKK383.49</b>
<b>1</b>	<b>1784000</b>	<b>GEARKNOB PLASTIC ORIGINAL, PUSH ON STYLE</b>	<b>DKK309.08</b>
<b>1</b>	<b>1783990</b>	<b>GEARKNOB PLASTIC ORIGINAL, SCREW ON STYLE</b>	<b>DKK371.76</b>
<b>2</b>	<b>1781050</b>	<b>SHIFT KNOB WOOD MAHOGANY RED WITH BIG BADGE</b>	<b>On request</b>
<b>3</b>	<b>1780630</b>	<b>SHIFT KNOB WOOD WITH SMALL BADGE</b>	<b>On request</b>
<b>3</b>	<b>1780140</b>	<b>GEAR-SHIFT KNOB - wood ERGONOMIC without emblem</b>	<b>On request</b>
<b>4</b>	<b>1783950</b>	<b>GEAR KNOB WOOD BROWN COLOR WITHOUT ALFA LOGO</b>	<b>On request</b>
<b>5</b>	<b>1780020</b>	<b>GEAR KNOB SPIDER 1986-93</b>	<b>DKK1,016.55</b>



<b>1</b>	<b>1760380</b>	<b>INERTIA REEL SEAT BELT SPIDER STALK 22 cm</b>	<b>DKK625.24</b>
<b>2</b>	<b>1763800</b>	<b>MOUNTING KIT INERTIA REEL SEAT BELTS SPIDER FROM 1966 UP TO 1978</b>	<b>DKK931.25</b>
<b>3</b>	<b>1762590</b>	<b>HEAD REST BUSH SPIDER 1978-93</b>	<b>DKK191.74</b>

1	1760181	SUN VISOR SPIDER 1966-89 WITHOUT MIRROR	DKK269.97
2	1761482	RIGHT SUN VISOR SPIDER 1966-93 WITH MIRROR	DKK309.08
3	1763620	REAR VISION MIRROR GLASS SPIDER 1986-93	DKK246.50
3	1761450	REAR VISION MIRROR GLASS SPIDER 1966-85	DKK273.14
3	1760190	REAR VISION MIRROR SPIDER 1986-93	DKK899.96
3	1763260	REAR VISION MIRROR SPIDER 1966-85 WITH LIGHT	DKK2,496.40
4	1530890	MIRROR LIGHT SPIDER 1966-85	DKK461.71
5	1760200	ANTI VIBRATION SCREW LONG STICK IN REAR VISION MIRROR	DKK77.48
5	1760210	ANTI VIBRATION SCREW SHORT SCREWD IN REAR VISION MIRROR	DKK77.48
6	1760310	WINDOW FRAME TRIM FOR SPIDER 1970-93	DKK1,322.56
6	1760620	WINDOW FRAME TRIM FOR SPIDER 1966-69	DKK1,557.33
7	1741501	A-POST INTERIOR TRIM PANEL SPIDER BLACK LEFT	DKK696.48
7	1741502	A-POST INTERIOR TRIM PANEL SPIDER BLACK RIGHT	DKK696.48
8	1741311	B-POST TRIM SPIDER 1970-83 PLASTIC BLACK LEFT / ONE HOLE	DKK774.71
8	1741491	B-POST TRIM SPIDER 1983-93 BLACK LEFT / TWO HOLES	DKK774.71
8	1741312	B-POST TRIM SPIDER 1970-93 PLASTIC BLACK RIGHT	DKK820.90
8	1764042	B-POST TRIM SPIDER 1966-69 PLASTIC BLACK RIGHT	DKK696.48
8	1741492	B-POST TRIM SPIDER 1970-93 VINYL BLACK RIGHT	DKK774.71
8	1763622	B-POST TRIM SPIDER 1990-93 BEIGE RIGHT	DKK853.03
8	1741321	B-POST TRIM SPIDER 1970-83 VINYL BLACK LEFT / ONE HOLE	DKK931.25
8	1763621	B-POST TRIM SPIDER 1990-93 LEFT	DKK853.03
8	1764041	B-POST TRIM SPIDER 1966-69 PLASTIC BLACK LEFT	DKK696.48
8	1760041	B-POST TRIM SPIDER 1986-89 LEFT	DKK696.48
8	1760042	B-POST TRIM SPIDER 1986-89 BEIGE RIGHT	On request
9	1761850	SUN VISOR SUPPORT CHROMED 1966-89	DKK155.71
9	1761830	SUN VISOR SUPPORT 1966-89	DKK54.01



<b>1</b>	<b>1773670</b>	<b>STEERING WHEEL 360 mm LEATHER, CHROMED SPOKES, WITH HOLES</b>	<b>DKK1,166.02</b>
<b>2</b>	<b>1773620</b>	<b>STEERING WHEEL 350 mm LEATHER, CHROMED SPOKES, WITH SLITS</b>	<b>On request</b>
<b>3</b>	<b>1773640</b>	<b>STEERING WHEEL 360 mm LEATHER, BLACK SPOKES WITH HOLES "PREDOTIPO"</b>	<b>On request</b>
<b>4</b>	<b>1773630</b>	<b>STEERING WHEEL 360 mm BUCKSKIN CHROMED SPOKES WITH HOLES</b>	<b>On request</b>
<b>5</b>	<b>1773680</b>	<b>STEERING WHEEL 360 mm BUCKSKIN, BLACK SPOKES, WITH HOLES "PREDOTIPO"</b>	<b>On request</b>

<b>1</b>	<b>1774090</b>	<b>STEERING WHEEL 330mm MAHOGANY BROWN, CHROMED SPOKES WITH SLITS</b>	<b>DKK931.25</b>
<b>2</b>	<b>1774060</b>	<b>STEERING WHEEL 350mm MAHOGANY REDDISH, CHROMED SPOKES WITH SLITS</b>	<b>On request</b>
<b>3</b>	<b>1773520</b>	<b>STEERING WHEEL 330mm MAHOGANY BROWN CHROMED SPOKES WITH SLITS</b>	<b>On request</b>
<b>4</b>	<b>1773510</b>	<b>STEERING WHEEL 360mm MAHOGANY RED CHROMED SPOKES</b>	<b>On request</b>
<b>5</b>	<b>1773480</b>	<b>STEERING WHEEL 330mm MAHOGANY BROWN CHROMED SPOKES</b>	<b>On request</b>

<b>1</b>	<b>1773570</b>	<b>STEERING WHEEL 330mm MAHOGANY RED CHROMED SPOKES, WITH HOLES</b>	<b>On request</b>
<b>2</b>	<b>1774110</b>	<b>STEERING WHEEL 350mm MAHOGANY BROWN, CHROMED SPOKES WITH HOLES</b>	<b>On request</b>
<b>3</b>	<b>1773560</b>	<b>STEERING WHEEL 330mm MAHOGANY BROWN CHROMED SPOKES WITH HOLES</b>	<b>DKK931.25</b>
<b>4</b>	<b>1773940</b>	<b>STEERING WHEEL 360 mm WOOD BROWN SATIN ALU SPOKES, WITH SLITS "NARDI-REPLIKA"</b>	<b>DKK2,574.63</b>
<b>5</b>	<b>1774050</b>	<b>STEERING WHEEL 350mm MAHOGANY BROWN, CHROMED SPOKES WITH SLITS</b>	<b>On request</b>



<b>1</b>	<b>1773800</b>	<b>STEERING WHEEL 1750 FLAT DISHED COMPLETE, SILVER EMBLEM</b>	<b>DKK3,114.57</b>
<b>2</b>	<b>1773820</b>	<b>STEERING WHEEL 1750 FLAT DISHED COMPLETE, GOLDEN EMBLEM</b>	<b>DKK3,114.57</b>
<b>3</b>	<b>1773790</b>	<b>STEERING WHEEL WOOD DEEP 380mm, HORN BUTTON SLIT 53mm, TYPE "HELLEBORE"</b>	<b>DKK1,948.55</b>
<b>3</b>	<b>1773810</b>	<b>STEERING WHEEL WOOD DEEP 380mm, HORN BUTTON SLIT 57mm, TYPE "PERSONAL"</b>	<b>On request</b>
<b>4</b>	<b>1781430</b>	<b>SET HORN BUTTON SURROUND 53 mm, HELLEBORE, 3 PIECES</b>	<b>DKK116.59</b>
<b>4</b>	<b>1781420</b>	<b>SET HORN BUTTON SURROUND 57 mm, PERSONAL, 3 PIECES</b>	<b>DKK116.59</b>



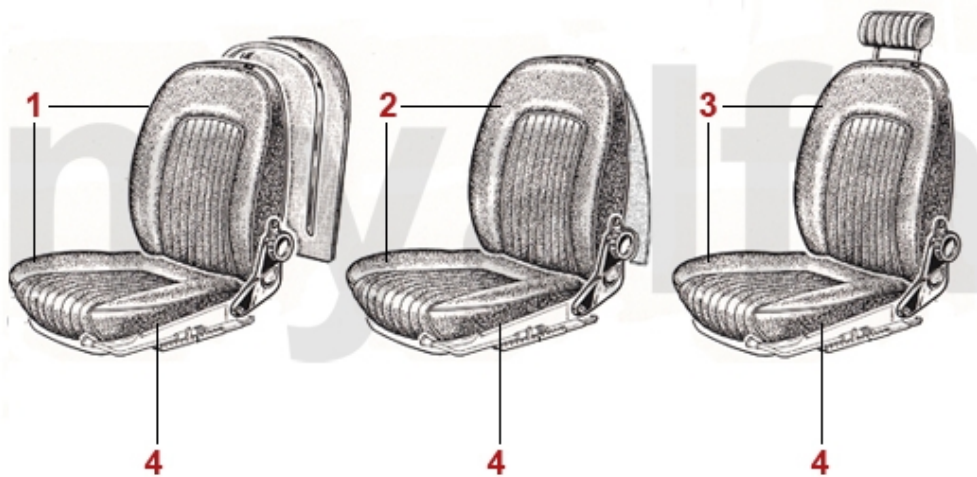
<b>1</b>	<b>1772650</b>	<b>STEERING WHEEL 365mm LEATHER BLACK FROSTED SPOKES WITH SLITS NARDI</b>	<b>On request</b>
<b>2</b>	<b>1770350</b>	<b>STEERING WHEEL 360mm WOOD FROSTED SPOKES NARDI WITH GERMAN ABE</b>	<b>DKK4,343.26</b>
<b>3</b>	<b>1773760</b>	<b>STEERING WHEEL 360mm WOOD BROWN, POLISHED SPOKES WITH SLITS NARDI</b>	<b>DKK4,343.26</b>
<b>4</b>	<b>1773940</b>	<b>STEERING WHEEL 360 mm WOOD BROWN SATIN ALU SPOKES, WITH SLITS "NARDI-REPLIKA"</b>	<b>DKK2,574.63</b>
<b>5</b>	<b>1774070</b>	<b>STEERING WHEEL 380mm WOOD BROWN, MATTE ALU SPOKES WITH SLITS "NARDI-REPLIKA"</b>	<b>On request</b>

<b>1</b>	<b>1771880</b>	<b>STEERING WHEEL HUB SHALLOW STEERING WHEEL</b>	<b>DKK703.56</b>
<b>2</b>	<b>1771890</b>	<b>STEERING WHEEL HUB DEEP STEERING WHEEL</b>	<b>DKK703.56</b>
<b>3</b>	<b>1771900</b>	<b>STEERING WHEEL HUB SPIDER 1986-89 WITH CONTACT RING</b>	<b>DKK703.56</b>
<b>4</b>	<b>1771910</b>	<b>STEERING WHEEL HUB SPIDER 1990-93</b>	<b>DKK703.56</b>
<b>5</b>	<b>1771540</b>	<b>STEERING WHEEL HUB SPIDER 1990-93 SAFETY HUB</b>	<b>DKK856.94</b>
<b>6</b>	<b>1781430</b>	<b>SET HORN BUTTON SURROUND 53 mm, HELLEBORE, 3 PIECES</b>	<b>DKK116.59</b>
<b>6</b>	<b>1781420</b>	<b>SET HORN BUTTON SURROUND 57 mm, PERSONAL, 3 PIECES</b>	<b>DKK116.59</b>
<b>7</b>	<b>1773310</b>	<b>CENTER FOR ORIGINAL WOODEN STEERING WHEEL HELLEBORE</b>	<b>DKK618.26</b>
<b>7</b>	<b>1773300</b>	<b>CENTER FOR ORIGINAL WOODEN STEERING WHEEL PERSONAL</b>	<b>DKK618.26</b>
<b>8</b>	<b>1773360</b>	<b>STEERING WHEEL COVER, FLAT DISHED, SPRINT GT VELOCE, DUETTO 1600 FOR GOLDEN BADGE</b>	<b>DKK743.42</b>
<b>8</b>	<b>1773350</b>	<b>STEERING WHEEL CENTRE COVER FLAT DISHED 1750 GTV 1ST SERIEFOR SILVER BADGE</b>	<b>DKK743.42</b>
<b>9</b>	<b>1731900</b>	<b>STEERING COLUMN SHROUD 105/ 115 WITH DEEP DISHED STEERING WHEEL&amp; INGNITION SWITCH RIGHT</b>	<b>DKK1,948.55</b>
<b>9</b>	<b>1731910</b>	<b>STEERING COLUMN SHROUD 105/115 WITH FLAT DISHED STEERING WHEEL&amp; INGNITION SWITCH RIGHT</b>	<b>DKK2,105.09</b>
<b>10</b>	<b>1360670</b>	<b>BADGE STEERING WHEEL CENTRE SILVER</b>	<b>DKK116.97</b>
<b>11</b>	<b>1360660</b>	<b>BADGE STEERING WHEEL CENTRE GOLD</b>	<b>DKK116.97</b>
<b>12</b>	<b>1363630</b>	<b>BADGE STEERING WHEEL CENTRE Alfa Romeo</b>	<b>DKK163.53</b>
<b>13</b>	<b>5510350</b>	<b>HALF MOON SEAL FOR STEERING ROD</b>	<b>DKK61.84</b>
<b>14</b>	<b>1770300</b>	<b>LOCKING TAB STEERING WHEEL 115 SPIDER FROM 1986 TO 1993</b>	<b>DKK46.56</b>
<b>14</b>	<b>1770310</b>	<b>LOCKING TAB STEERING WHEEL UNTIL 1985</b>	<b>DKK38.37</b>
<b>15</b>	<b>1770320</b>	<b>NUT STEERING WHEEL - 1900, 750/101, 102/106, 105/ 115 UNTIL 1985</b>	<b>DKK136.99</b>
<b>15</b>	<b>1770330</b>	<b>NUT STEERING WHEEL SPIDER 86&gt; 75/90/33/ 164/916</b>	<b>DKK32.87</b>

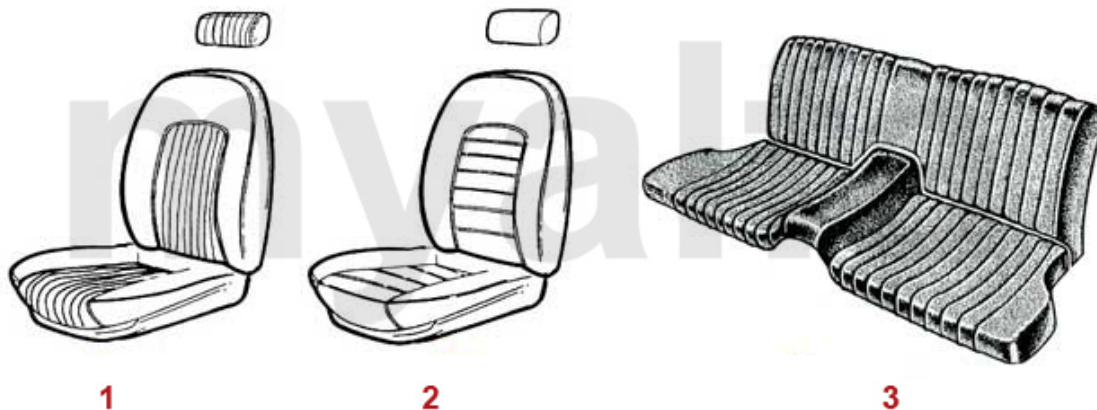
<b>1</b>	<b>1731550</b>	<b>CONSOLE ASHTRAY GT BERTONE FROM 1963 UP TO 1969, SPIDER 1600 FROM 1966 UP TO 1967</b>	<b>DKK743.42</b>
<b>2</b>	<b>1733270</b>	<b>ASHTRAY CONSOLE SPIDER 1750 1968-69</b>	<b>DKK1,117.50</b>
<b>3</b>	<b>1730030</b>	<b>GEAR LEVER GAITER SPIDER WITHOUT CENTRAL CONSOLE, LEATHER BLACK</b>	<b>DKK461.71</b>
<b>3</b>	<b>1714010</b>	<b>GEAR LEVER COVER GIULIA, GT BERTONE, SPIDER W/O CENTER CONSOLE SKAY BLACK</b>	<b>DKK226.95</b>
<b>4</b>	<b>1763860</b>	<b>HANDBRAKE GAITER SPIDER 1966-77 LEATHER BLACK</b>	<b>DKK461.71</b>
<b>4</b>	<b>1761650</b>	<b>RUBBER HANDBRAKE GAITER SPIDER 1966-79</b>	<b>DKK618.26</b>
<b>5</b>	<b>1784010</b>	<b>GEARKNOB PLASTIC ORIGINAL WITH GEAR SHIFT GATE, PUSH ON STYLE</b>	<b>DKK383.49</b>
<b>6</b>	<b>1760490</b>	<b>HANDBRAKE GRIP 1962-86 BLACK</b>	<b>DKK254.32</b>
<b>7</b>	<b>1730200</b>	<b>ASHTRAY SPIDER 1750/2000 1967-80</b>	<b>On request</b>

1	1731560	CENTRE CONSOLE SPIDER 1970-80 BIG ASHTRAY	DKK3,091.10
1	1731570	CENTRE CONSOLE SPIDER 1980-85 SMALL ASHTRAY	DKK1,713.50
2	1730811	SIDE PANEL CENTER CONSOLE SPIDER 1970-85 LEFT	DKK978.19
3	1730812	SIDE PANEL CENTER CONSOLE SPIDER 1970-85 RIGHT	DKK978.19
4	1731230	HEATER FASCIA PANEL CHROME GIULIA / GT BERTONE / SPIDER 1970-85 WITH CONSOLE	DKK207.39
4	1731770	HEATER FASCIA PANEL SPIDER 1970-85 PLASTIC BLACK	DKK309.08
5	1731750	SCREW (2 PCS) HEATER FASCIA PANEL	DKK22.72
6	1731270	HEATER CONTROL END KNOB 1969-85 BLACK PLASTIC	DKK35.20
6	1731620	HEATER CONTROL END KNOB 1969-85 CHROMED	DKK74.31
7	1730110	GEAR LEVER GAITER WITH CONSOLE 1964-86, LEATHER BLACK	DKK461.71
7	1731610	GEAR LEVER GAITER SPIDER WITH CONSOLE, 1978-86, SKAY MARRONE	DKK254.32
7	1731600	GEAR LEVER GAITER MODELS WITH CONSOLE, 1970-85, SKAY BEIGE	DKK304.43
7	1731630	GEAR LEVER GAITER SPIDER mit CONSOLE, 1970-86, SKAY DARK BLUE	DKK351.36
7	1730030	GEAR LEVER GAITER SPIDER WITHOUT CENTRAL CONSOLE, LEATHER BLACK	DKK461.71
7	1714010	GEAR LEVER COVER GIULIA, GT BERTONE, SPIDER W/O CENTER CONSOLE SKAY BLACK	DKK226.95
8	1761630	HANDBRAKE GAITER SPIDER 1978-86 SKAY BEIGE, SNAP-FASTENER	DKK421.76
8	1761620	HANDBRAKE GAITER SPIDER 1978-86 SKAY BLUE, SNAP-FASTENER	DKK421.76
8	1761640	HANDBRAKE GAITER SPIDER 1978-85 SKAY MARRONE, SNAP-FASTENER	DKK421.76
8	1760440	HANDBRAKE GAITER SPIDER 1978-86 LEATHER BLACK, SNAP-FASTENER	DKK461.71
8	1763860	HANDBRAKE GAITER SPIDER 1966-77 LEATHER BLACK	DKK461.71
8	1761650	RUBBER HANDBRAKE GAITER SPIDER 1966-79	DKK618.26
8	1761660	HANDBRAKE GAITER SPIDER 1978-85 LEATHER BROWN, SNAP-FASTENER	DKK421.76
9	1784010	GEARKNOB PLASTIC ORIGINAL WITH GEAR SHIFT GATE, PUSH ON STYLE	DKK383.49
10	1760490	HANDBRAKE GRIP 1962-86 BLACK	DKK254.32

<b>1</b>	<b>1732230</b>	<b>FASCIA CENTRE CONSOLE/DIGITAL CLOCK SPIDER 2000 1990-93 REPRO METAL</b>	<b>DKK774.71</b>
<b>2</b>	<b>1732280</b>	<b>BLANKING SWITCH / ASHTRAY SPIDER 1986-89</b>	<b>On request</b>
<b>2</b>	<b>1732290</b>	<b>BLANKING SWITCH / ASHTRAY SPIDER 1990-93</b>	<b>DKK461.71</b>
<b>3</b>	<b>1732210</b>	<b>GEAR LEVER GAITER SPIDER 1987-89 LEATHER BLACK</b>	<b>DKK461.71</b>
<b>3</b>	<b>1732580</b>	<b>GEAR LEVER GAITER SPIDER 1990-93 SKAY BEIGE</b>	<b>DKK390.47</b>
<b>3</b>	<b>1731590</b>	<b>GEAR LEVER GAITER SPIDER 1990-93 LEATHER BLACK</b>	<b>DKK461.71</b>
<b>3</b>	<b>1732570</b>	<b>GEAR LEVER GAITOR 1990-93 LEATHER BEIGE</b>	<b>DKK430.42</b>
<b>4</b>	<b>1761300</b>	<b>HANDBRAKE GAITER SPIDER 1986-93 SKAY BLACK</b>	<b>DKK288.78</b>
<b>4</b>	<b>1762550</b>	<b>HANDBRAKE GAITER SPIDER 1986-93 SKAY BEIGE</b>	<b>DKK421.76</b>
<b>5</b>	<b>1762300</b>	<b>HANDBRAKE GAITER FRAME SPIDER 1986-93</b>	<b>On request</b>
<b>6</b>	<b>8701300</b>	<b>SOCKET FOR CIGARETTE LIGHTER 12V</b>	<b>DKK195.66</b>
<b>7</b>	<b>8701320</b>	<b>CIGARETTE LIGHTER SPIDER 1986-93</b>	<b>On request</b>
<b>8</b>	<b>1760450</b>	<b>HANDBRAKE GRIP 1986-93 BLACK</b>	<b>DKK312.25</b>
<b>8</b>	<b>1760460</b>	<b>HANDBRAKE LEVER BEIGE 1986-93</b>	<b>DKK622.17</b>

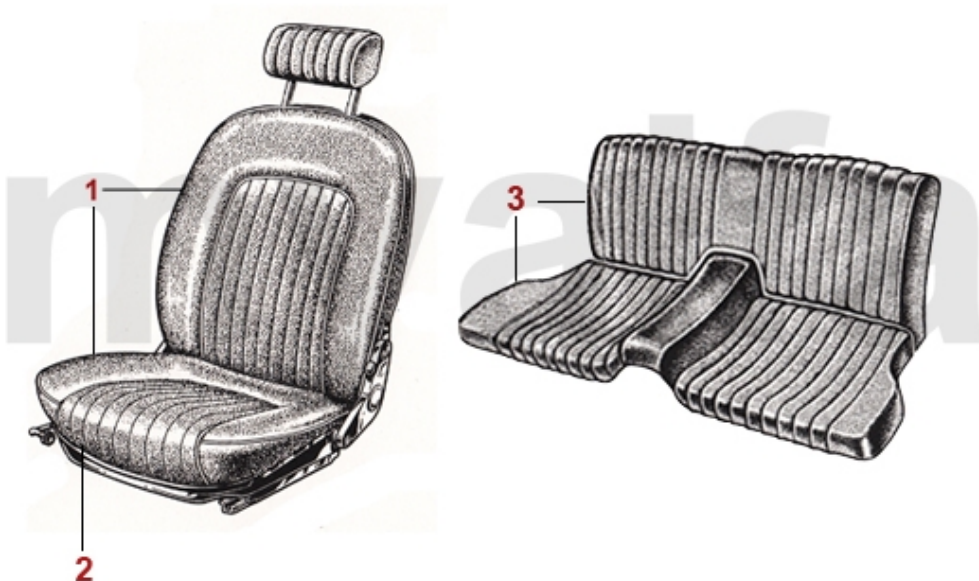


<b>1</b>	<b>1703150</b>	<b>SEAT COVER SPIDER 1966-69 VINYL SKAI BORDEAUX, 2 PIECE BACK REST COVER</b>	<b>DKK1,870.32</b>
<b>1</b>	<b>1703140</b>	<b>SEAT COVER SPIDER 1966-69 VINYL SKAI BLACK, 2 PIECE BACK REST COVER</b>	<b>DKK1,870.32</b>
<b>1</b>	<b>1700210</b>	<b>SEAT COVER SPIDER 1966-69, VINYL SKAI BEIGE 565, BACK REST COVER IN 2 PARTS</b>	<b>DKK1,330.38</b>
<b>2</b>	<b>1703160</b>	<b>SEAT COVER SPIDER 1966-69, VINYL SKAI BORDEAUX 563, 1 PIECE BACK REST COVER</b>	<b>DKK1,870.32</b>
<b>2</b>	<b>1702020</b>	<b>SEAT COVER SPIDER 1966-69 VINYL SKAI BLACK WITH ONE PIECE BACKREST</b>	<b>DKK1,878.15</b>
<b>2</b>	<b>1700200</b>	<b>SEAT COVER Bj.1966-69, VINYL SKAI BEIGE 565, ONE PART</b>	<b>DKK1,330.38</b>
<b>2</b>	<b>1704050</b>	<b>SET SEAT COVERS SPIDER 1966-69VINYL SKAI VIVO ROSSO, 1 PIECEBACK REST COVER</b>	<b>DKK3,067.63</b>
<b>3</b>	<b>1703170</b>	<b>SEAT COVER SPIDER 1969-77, VINYL SKAI BORDEAUX 563</b>	<b>DKK1,870.32</b>
<b>3</b>	<b>1700690</b>	<b>SEAT COVER SPIDER 1969-77, VINYL SKAI BLACK</b>	<b>DKK1,682.49</b>
<b>3</b>	<b>1700690L</b>	<b>SEAT COVER SPIDER 1969-77 LEATHER BLACK</b>	<b>DKK6,221.40</b>
<b>4</b>	<b>1700690U</b>	<b>SEAT BASE COVER SPIDER 1966-77 VINYL SKAI BLACK</b>	<b>DKK1,134.73</b>



1	1703160	SEAT COVER SPIDER 1966-69, VINYL SKAI BORDEAUX 563, 1 PIECE BACK REST COVER	DKK1,870.32
1	1703150	SEAT COVER SPIDER 1966-69 VINYL SKAI BORDEAUX, 2 PIECE BACK REST COVER	DKK1,870.32
1	1702020	SEAT COVER SPIDER 1966-69 VINYL SKAI BLACK WITH ONE PIECE BACKREST	DKK1,878.15
1	1703140	SEAT COVER SPIDER 1966-69 VINYL SKAI BLACK, 2 PIECE BACK REST COVER	DKK1,870.32
1	1703170	SEAT COVER SPIDER 1969-77, VINYL SKAI BORDEAUX 563	DKK1,870.32
1	1700690	SEAT COVER SPIDER 1969-77, VINYL SKAI BLACK	DKK1,682.49
1	1700690L	SEAT COVER SPIDER 1969-77 LEATHER BLACK	DKK6,221.40
2	1703220	SEAT COVER SPIDER 1978-85 / 1600 UP TO 1989, VINYL SKAI BEIGE 565, HEAD REST 24 cm	DKK1,799.92
2	1703230	SEAT COVER SPIDER 1978-85 / 1600 UP TO 1989, VINYL SKAI BORDEAUX 563, HEAD REST 24 cm	DKK1,799.92
2	1703190	SEAT COVER SPIDER 1978-85 / 1600 UP TO 1989, VINYL SKAI BORDEAUX 563, HEAD REST 19 cm	DKK1,799.92
2	1703250	SEAT COVER SPIDER 1978-85 / 1600 UP TO 1989, VINYL SKAI DARK BLUE 562, HEAD REST 24 cm	DKK1,799.92
2	1702030	SEAT COVER SPIDER 1978-85 / 1600 UP TO 1989, VINYL SKAI BLACK, HEAD REST 24 cm	DKK1,792.10
2	1703200	SEAT COVER SPIDER 1978-85 / 1600 UP TO 1989, VINYL SKAI MARRONE 566, HEAD REST 19 cm	DKK1,792.10
2	1700680	SEAT COVER SPIDER 1978-85 / 1600 UP TO 1989, VINYL SKAI BLACK, HEAD REST 19 cm	DKK1,799.92
2	1703240	SEAT COVER SPIDER 1978-85 / 1600 UP TO 1989, VINYL SKAI MARRONE 566, HEAD REST 24 cm	DKK1,799.92
2	1702040	SEAT COVER SPIDER 2000 1987-89, VINYL SKAI BLACK, RED SEAMS	DKK2,183.32
2	1704020	SEAT COVER SPIDER 1978-85 / 1600 UP TO 1989 VINYL DARK RED HEAD REST 19 cm	DKK177.84
2	1703180	SEAT COVER SPIDER 1978-85 / 1600 UP TO 1989, SKAY BEIGE 565,	DKK1,799.92

2	1703210	<del>SEAT COVER SPIDER</del> SEAT COVER SPIDER 1978-85 / 1600 UP TO 1989, VINYL SKAI DARK BLUE 562, HEAD REST 19 cm	DKK1,799.92
2	1700680L	SEAT COVER SPIDER 1978-85 / 1600 UP TO 1989, LEATHER BLACK, HEAD REST 19 cm	DKK6,808.28
2	1702120	SEAT COVER SPIDER 2000 1987-89, VINYL SKAI BEIGE 555	DKK2,183.32
2	1702130	SEAT COVER SPIDER 2000 1987-89, VINYL SKAI BLACK, BLACK SEAMS	DKK2,183.32
2	1702010	SEAT COVER SPIDER 2000 QV 1986-89, VINYL SKAI GRAY, RED SEAMS	DKK2,183.32
3	1703430	BACK REST COVER REAR SPIDER 1972-77, VINYL BLACK	DKK1,134.73
3	1703460	REAR SEAT COVER SPIDER 1970-77, VINYL SKAI BLACK ,2 PARTS	DKK2,269.46



<b>1</b>	<b>1703170</b>	<b>SEAT COVER SPIDER 1969-77, VINYL SKAI BORDEAUX 563</b>	<b>DKK1,870.32</b>
<b>1</b>	<b>1700690</b>	<b>SEAT COVER SPIDER 1969-77, VINYL SKAI BLACK</b>	<b>DKK1,682.49</b>
<b>1</b>	<b>1700690L</b>	<b>SEAT COVER SPIDER 1969-77 LEATHER BLACK</b>	<b>DKK6,221.40</b>
<b>1</b>	<b>1700220</b>	<b>SEAT COVER SPIDER 1970-77, VINYL SKAI CINGHIALE 576</b>	<b>DKK1,917.26</b>
<b>2</b>	<b>1700690U</b>	<b>SEAT BASE COVER SPIDER 1966-77 VINYL SKAI BLACK</b>	<b>DKK1,134.73</b>
<b>3</b>	<b>1703460</b>	<b>REAR SEAT COVER SPIDER 1970-77, VINYL SKAI BLACK ,2 PARTS</b>	<b>DKK2,269.46</b>
<b>3</b>	<b>1704100</b>	<b>REAR SEAT COVER SPIDER 1970-77, VINYL SKAI BORDEAUX 563, 2-PARTS</b>	<b>DKK2,269.46</b>
<b>3</b>	<b>1704110</b>	<b>REAR SEAT COVER SPIDER Bj.1970-77, VINYL SKAI CINGHIALE 576, 2-PARTS</b>	<b>DKK1,955.63</b>
<b>3</b>	<b>1704120</b>	<b>REAR SEAT COVER SPIDER 1970-77, LEATHER BLACK, 2-PARTS</b>	<b>DKK10,055.92</b>



<b>1</b>	<b>1703190</b>	<b>SEAT COVER SPIDER 1978-85 / 1600 UP TO 1989, VINYL SKAI BORDEAUX 563, HEAD REST 19 cm</b>	<b>DKK1,799.92</b>
<b>1</b>	<b>1703200</b>	<b>SEAT COVER SPIDER 1978-85 / 1600 UP TO 1989, VINYL SKAI MARRONE 566, HEAD REST 19 cm</b>	<b>DKK1,792.10</b>
<b>1</b>	<b>1700680</b>	<b>SEAT COVER SPIDER 1978-85 / 1600 UP TO 1989, VINYL SKAI BLACK, HEAD REST 19 cm</b>	<b>DKK1,799.92</b>
<b>1</b>	<b>1703180</b>	<b>SEAT COVER SPIDER 1978-85 / 1600 UP TO 1989, SKAY BEIGE 565, HEAD REST 19 cm</b>	<b>DKK1,799.92</b>
<b>1</b>	<b>1703210</b>	<b>SEAT COVER SPIDER 1978-85 / 1600 UP TO 1989, VINYL SKAI DARK BLUE 562, HEAD REST 19 cm</b>	<b>DKK1,799.92</b>
<b>1</b>	<b>1700680L</b>	<b>SEAT COVER SPIDER 1978-85 / 1600 UP TO 1989, LEATHER BLACK, HEAD REST 19 cm</b>	<b>DKK6,808.28</b>
<b>1</b>	<b>1700260</b>	<b>SEAT COVER SPIDER 1978-85 / 1600 UP TO 1989 VINYL SKAI CAMEL 555, HEAD REST 19 cm</b>	<b>DKK1,324.89</b>
<b>2</b>	<b>1703220</b>	<b>SEAT COVER SPIDER 1978-85 / 1600 UP TO 1989, VINYL SKAI BEIGE 565, HEAD REST 24 cm</b>	<b>DKK1,799.92</b>
<b>2</b>	<b>1703230</b>	<b>SEAT COVER SPIDER 1978-85 / 1600 UP TO 1989, VINYL SKAI BORDEAUX 563, HEAD REST 24 cm</b>	<b>DKK1,799.92</b>
<b>2</b>	<b>1703250</b>	<b>SEAT COVER SPIDER 1978-85 / 1600 UP TO 1989, VINYL SKAI DARK BLUE 562, HEAD REST 24 cm</b>	<b>DKK1,799.92</b>
<b>2</b>	<b>1702030</b>	<b>SEAT COVER SPIDER 1978-85 / 1600 UP TO 1989, VINYL SKAI BLACK, HEAD REST 24 cm</b>	<b>DKK1,792.10</b>
<b>2</b>	<b>1703240</b>	<b>SEAT COVER SPIDER 1978-85 / 1600 UP TO 1989, VINYL SKAI MARRONE 566, HEAD REST 24 cm</b>	<b>DKK1,799.92</b>
<b>2</b>	<b>1703130</b>	<b>SEAT COVER SPIDER 1978-85 / 1600 UP TO 1989, VINYL SKAI BEIGE 555, HEAD REST 24 cm</b>	<b>DKK1,870.32</b>
<b>3</b>	<b>1700680U</b>	<b>SEAT BASE COVER SPIDER 1978-85 / 1600 UP TO 1989 VINYL SKAI BLACK</b>	<b>DKK1,095.62</b>
<b>4</b>	<b>1702040</b>	<b>SEAT COVER SPIDER 2000 1987-89, VINYL SKAI BLACK, RED SEAMS</b>	<b>DKK2,183.32</b>
<b>4</b>	<b>1702120</b>	<b>SEAT COVER SPIDER 2000 1987-89, VINYL SKAI BEIGE 555</b>	<b>DKK2,183.32</b>
<b>4</b>	<b>1702130</b>	<b>SEAT COVER SPIDER 2000 1987-89, VINYL SKAI BLACK, BLACK</b>	<b>DKK2,183.32</b>

4 1702010

**SEAMCOVER SPIDER 2000 QV 1986-89, VINYL SKAI GRAY, RED  
SEAMS**

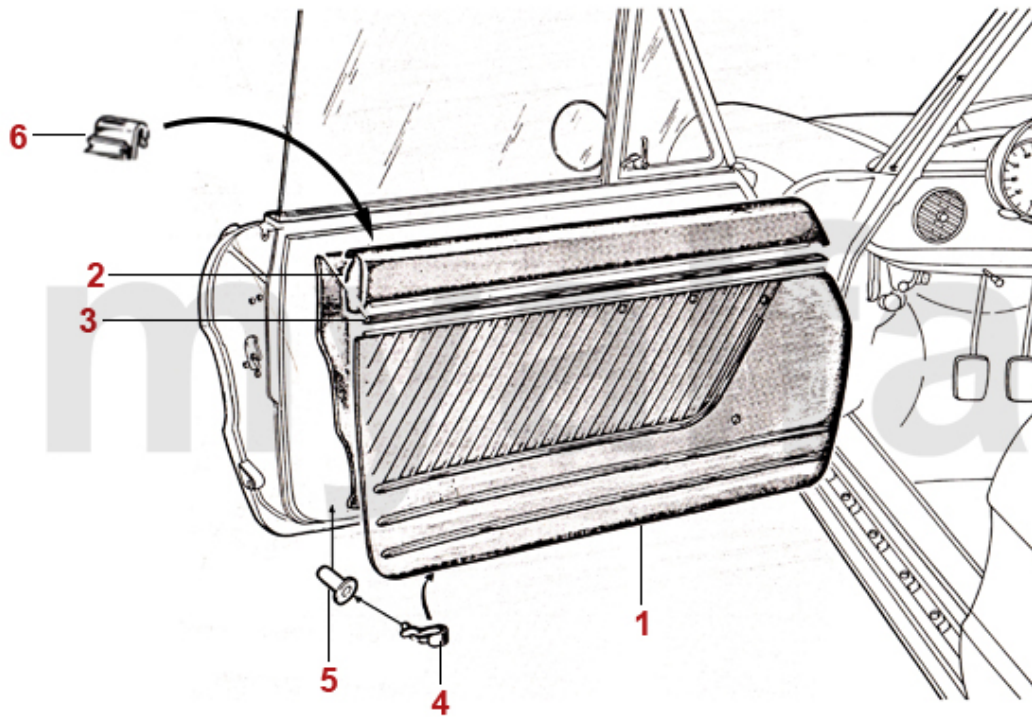
**DKK2,183.32**



<b>1</b>	<b>1703820</b>	<b>SEAT COVER SPIDER 1990-93 ALCANTARA / VINYL SKAI BEIGE</b>	<b>DKK2,809.40</b>
<b>2</b>	<b>1703810</b>	<b>SEAT COVER SPIDER 1990-93 ALCANTARA / VINYL SKAI BLACK</b>	<b>DKK2,817.22</b>

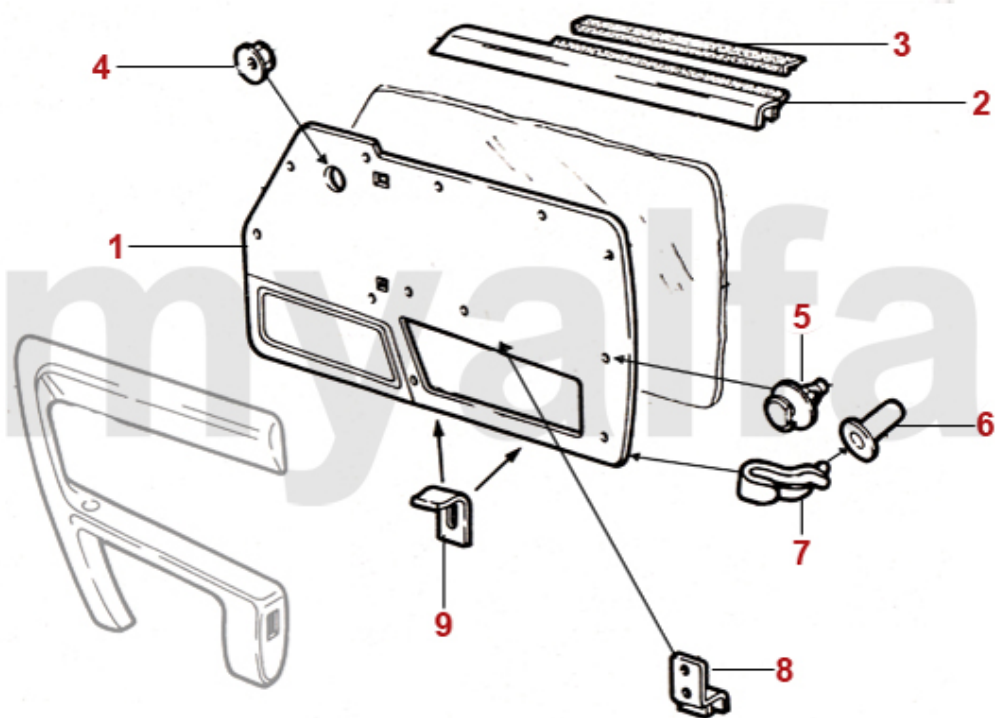


<b>1</b>	<b>1703830</b>	<b>SEAT METAL BASE SPIDER 1966-93 WITH BRACKETS</b>	<b>DKK1,400.79</b>
<b>2</b>	<b>1703840</b>	<b>SEAT FOAM WIRE FRAME SPIDER 1966-86</b>	<b>DKK383.49</b>
<b>3</b>	<b>1703400</b>	<b>SEAT FOAM SPIDER 1966-86</b>	<b>DKK618.26</b>
<b>4</b>	<b>1703310</b>	<b>BACK REST FOAM SPIDER 1970-86</b>	<b>DKK1,063.49</b>
<b>4</b>	<b>1703311</b>	<b>BACK REST FOAM SPIDER 1966-69</b>	<b>DKK1,063.49</b>
<b>5</b>	<b>1703410</b>	<b>SEAT FOAM SPIDER 1986-93</b>	<b>DKK931.25</b>

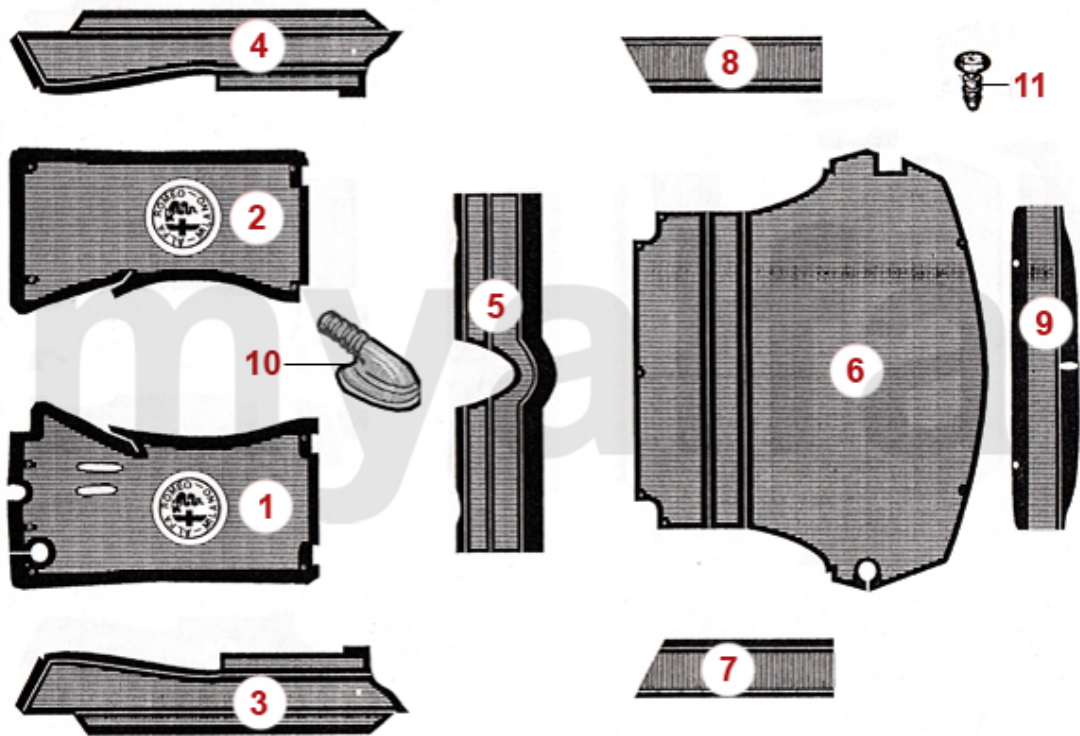


<b>1</b>	<b>1740150</b>	<b>SET INNER DOOR TRIM PANELS SPIDER 1966-77 VINYL BLACK</b>	<b>DKK1,713.78</b>
<b>1</b>	<b>1741250</b>	<b>SET INNER DOOR TRIM PANELS SPIDER 1966-77 VINYL BORDEAUX</b>	<b>DKK2,026.87</b>
<b>2</b>	<b>1740421</b>	<b>INNER DOOR PANEL CAPPING SPIDER 1966-77 LEFT</b>	<b>DKK931.25</b>
<b>2</b>	<b>1740422</b>	<b>INNER DOOR PANEL CAPPING SPIDER 1966-77 RIGHT</b>	<b>DKK931.25</b>
<b>3</b>	<b>1730420</b>	<b>UPPER CHROME TRIM FOR INNER DOOR TRIM PANEL SPIDER 1966-78</b>	<b>On request</b>
<b>4</b>	<b>1740390</b>	<b>RETAINING CLIP INNER DOOR TRIM PANEL SPIDER</b>	<b>DKK15.27</b>
<b>5</b>	<b>1740400</b>	<b>CLIP RECEIVER FOR RETAINING CLIP</b>	<b>DKK19.56</b>
<b>6</b>	<b>1610390</b>	<b>RETAINING CLIP RETAINING CLIP INNER WINDOW FELT SPIDER</b>	<b>DKK34.46</b>

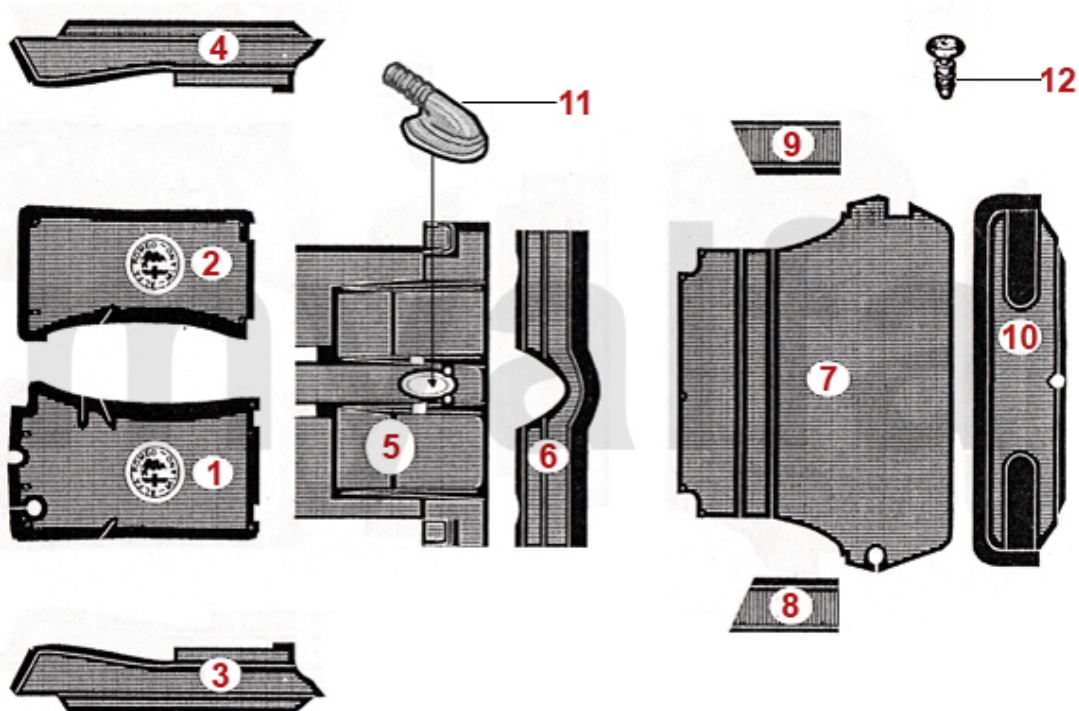
1	1740170	SET INNER DOOR TRIM PANELS SPIDER 1978-89 VINYL BLACK	DKK1,870.32
1	1740210	SET INNER DOOR TRIM PANELS SPIDER 1978-89 VINYL BEIGE ORIGINAL	DKK3,513.70
1	1744000	SET INNER DOOR TRIM PANELS SPIDER 1978-89 VINYL DARK BLUE	DKK2,793.75
2	1740411	INNER DOOR PANEL CAPPING SPIDER 1978-89 VINYL BLACK LEFT	DKK1,013.39
2	1740412	INNER DOOR PANEL CAPPING SPIDER 1978-89 VINYL BLACK RIGHT	DKK1,013.39
3	1760661	ARM REST INNER DOOR TRIM PANEL SPIDER 1978-89 LEFT	On request
3	1760662	ARM REST INNER DOOR TRIM PANEL SPIDER 1978-89 RIGHT	On request
4	1761870	CHROME TRIM ARM REST SPIDER 1978-89	DKK71.99
6	1740390	RETAINING CLIP INNER DOOR TRIM PANEL SPIDER	DKK15.27
7	1740400	CLIP RECEIVER FOR RETAINING CLIP	DKK19.56
8	1731510	UPPER STOP BRACKET DOOR POCKET SPIDER 1978-93	DKK132.24
9	1761530	LOWER BRACKET DOOR POCKET SPIDER 1978-93	DKK39.11
10	1610390	RETAINING CLIP RETAINING CLIP INNER WINDOW FELT SPIDER	DKK34.46



<b>1</b>	<b>1742150</b>	<b>SET INNER DOOR TRIM PANELS SPIDER 1990-93 VINYL BEIGE</b>	<b>DKK2,543.34</b>
<b>1</b>	<b>1743960</b>	<b>SET INNER DOOR TRIM PANELS SPIDER 1990-93 VINYL BLACK</b>	<b>DKK1,870.32</b>
<b>1</b>	<b>1743970</b>	<b>SET DOOR PANELS SPIDER 1990-93 ALCANTARA BEIGE</b>	<b>DKK2,731.17</b>
<b>2</b>	<b>1762171</b>	<b>INNER DOOR PANEL CAPPING SPIDER 1990-93 oben LEFT</b>	<b>DKK931.25</b>
<b>2</b>	<b>1762172</b>	<b>INNER DOOR PANEL CAPPING SPIDER 1990-93 oben RIGHT</b>	<b>DKK931.25</b>
<b>3</b>	<b>1610200</b>	<b>HORIZONTAL WINDOW FELT 100 cm</b>	<b>DKK123.67</b>
<b>4</b>	<b>1763750</b>	<b>RETAINING CLIP ARM REST SPIDER 1990 - 93</b>	<b>DKK54.01</b>
<b>5</b>	<b>1742190</b>	<b>PLASTIC CLIP INNER DOOR TRIM PANEL SPIDER 1978-93 WHITE</b>	<b>DKK13.69</b>
<b>6</b>	<b>1740400</b>	<b>CLIP RECEIVER FOR RETAINING CLIP</b>	<b>DKK19.56</b>
<b>7</b>	<b>1740390</b>	<b>RETAINING CLIP INNER DOOR TRIM PANEL SPIDER</b>	<b>DKK15.27</b>
<b>8</b>	<b>1731510</b>	<b>UPPER STOP BRACKET DOOR POCKET SPIDER 1978-93</b>	<b>DKK132.24</b>
<b>9</b>	<b>1761530</b>	<b>LOWER BRACKET DOOR POCKET SPIDER 1978-93</b>	<b>DKK39.11</b>



<b>1</b>	<b>1791741</b>	<b>RUBBER FLOOR MAT SPIDER 1966-69 LEFT STANDING PEDALS</b>	<b>DKK859.26</b>
<b>2</b>	<b>1791792</b>	<b>RUBBER FLOOR MAT SPIDER 1966-80 RIGHT</b>	<b>DKK859.26</b>
<b>3</b>	<b>1791751</b>	<b>RUBBER MAT INNER SILL SPIDER 1966-80 LEFT</b>	<b>DKK860.85</b>
<b>4</b>	<b>1791752</b>	<b>RUBBER MAT INNER SILL SPIDER 1966-80 RIGHT</b>	<b>DKK860.85</b>
<b>5</b>	<b>1791760</b>	<b>RUBBER MAT BEHIND THE SEATS SPIDER 1966-69 REAR</b>	<b>DKK1,322.56</b>
<b>6</b>	<b>1791770</b>	<b>RUBBER MAT BOOT FLOOR PANEL SPIDER 1966-69</b>	<b>DKK1,799.92</b>
<b>7</b>	<b>1793291</b>	<b>RUBBER MAT TRUNK SPIDER 1966-69 LEFT</b>	<b>DKK312.99</b>
<b>8</b>	<b>1793292</b>	<b>RUBBER MAT TRUNK SPIDER 1966-69 RIGHT</b>	<b>DKK312.99</b>
<b>9</b>	<b>1791950</b>	<b>RUBBER MAT REAR PANEL SPIDER 1966-69</b>	<b>DKK978.19</b>
<b>10</b>	<b>1761650</b>	<b>RUBBER HANDBRAKE GAITER SPIDER 1966-79</b>	<b>DKK618.26</b>
<b>11</b>	<b>1793330</b>	<b>CLIP FOR TRUNK RUBBER MATS</b>	<b>DKK23.47</b>



<b>1</b>	<b>1791791</b>	<b>RUBBER FLOOR MAT SPIDER 1970-80 LEFT HANGING PEDALS</b>	<b>DKK859.26</b>
<b>2</b>	<b>1791792</b>	<b>RUBBER FLOOR MAT SPIDER 1966-80 RIGHT</b>	<b>DKK859.26</b>
<b>3</b>	<b>1791751</b>	<b>RUBBER MAT INNER SILL SPIDER 1966-80 LEFT</b>	<b>DKK860.85</b>
<b>4</b>	<b>1791752</b>	<b>RUBBER MAT INNER SILL SPIDER 1966-80 RIGHT</b>	<b>DKK860.85</b>
<b>5</b>	<b>1791930</b>	<b>RUBBER FLOOR MAT SPIDER 1970-80 REAR</b>	<b>DKK1,799.92</b>
<b>6</b>	<b>1791800</b>	<b>RUBBER MAT BEHIND THE SEATS SPIDER 1970-80</b>	<b>DKK1,322.56</b>
<b>7</b>	<b>1791780</b>	<b>RUBBER MAT BOOT FLOOR PANEL SPIDER 1970-80</b>	<b>DKK1,799.92</b>
<b>8</b>	<b>1791921</b>	<b>RUBBER MAT TRUNK SPIDER 1970-80 LEFT</b>	<b>DKK312.99</b>
<b>9</b>	<b>1791922</b>	<b>RUBBER MAT TRUNK SPIDER 1970-80 RIGHT</b>	<b>DKK312.99</b>
<b>10</b>	<b>1791940</b>	<b>RUBBER MAT REAR PANEL SPIDER 1970-80</b>	<b>DKK1,290.43</b>
<b>11</b>	<b>1761650</b>	<b>RUBBER HANDBRAKE GAITER SPIDER 1966-79</b>	<b>DKK618.26</b>
<b>12</b>	<b>1793330</b>	<b>CLIP FOR TRUNK RUBBER MATS</b>	<b>DKK23.47</b>
<b>13</b>	<b>1791840</b>	<b>SET RUBBER MATS SPIDER 1970-80, 10 PIECES</b>	<b>DKK7,418.71</b>

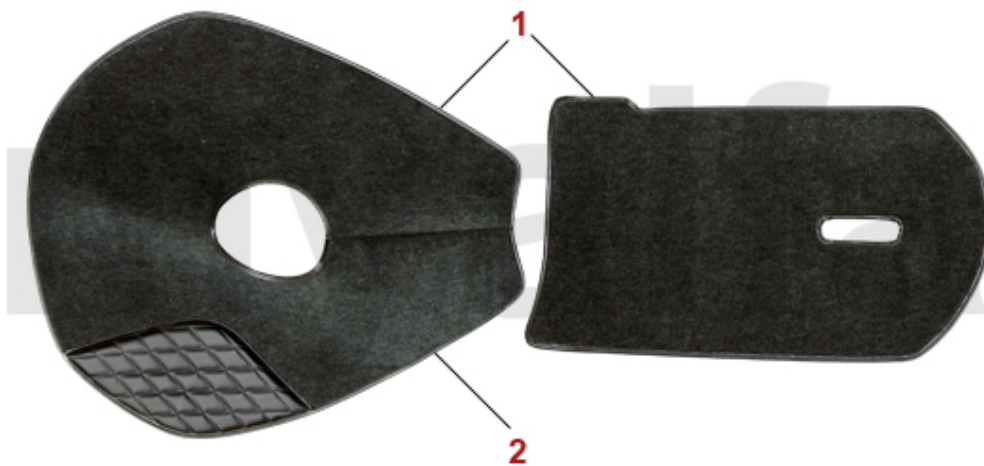
<b>1</b>	<b>1711280</b>	<b>CARPET SET SPIDER 1966-69 VELOURS BORDEAUX</b>	<b>DKK4,108.49</b>
<b>1</b>	<b>1711110</b>	<b>CARPET SET SPIDER 1966-69 VELOURS BLACK</b>	<b>DKK1,635.55</b>
<b>1</b>	<b>1711120</b>	<b>CARPET SET SPIDER 1300/1600 1970-80 VELOURS BLACK</b>	<b>DKK1,557.33</b>
<b>1</b>	<b>1711130</b>	<b>CARPET SET SPIDER 2000 1970-93 VELOURS BLACK</b>	<b>DKK1,479.01</b>
<b>1</b>	<b>1712540</b>	<b>CARPET SET SPIDER 1990-93 VELOURS BEIGE 120, 12 PIECES</b>	<b>DKK5,391.84</b>
<b>1</b>	<b>1711520</b>	<b>CARPET SET SPIDER 1966-69 VELOURS ANTHRACITE</b>	<b>DKK3,599.00</b>
<b>2</b>	<b>1711300</b>	<b>CARPET SET REAR SHELF SPIDER 1972-77, 1300/1600 UP TO 1982 VELOURS DARK BLUE 129</b>	<b>DKK3,404.18</b>
<b>2</b>	<b>1711140</b>	<b>CARPET SET REAR SHELF SPIDER 1978-93 VELOURS BLACK STRAIGHT SHELF</b>	<b>DKK1,244.24</b>
<b>2</b>	<b>1711150</b>	<b>CARPET SET REAR SHELF SPIDER 1972-77, 1300/1600 UP TO 1982 VELOURS BLACK</b>	<b>DKK1,244.24</b>
<b>2</b>	<b>1742620</b>	<b>REAR SHELF VINYL COVER SPIDER 1966-69 REAR BLACK</b>	<b>DKK2,574.63</b>
<b>2</b>	<b>1743470</b>	<b>REAR SHELF VINYL COVER SPIDER 1300/1600 1970-77 REAR</b>	<b>DKK2,738.99</b>



<b>1</b>	<b>1711530</b>	<b>BOOT CARPET SET SPIDER 1966-69 BLACK</b>	<b>DKK2,347.68</b>
<b>2</b>	<b>1711170</b>	<b>BOOT CARPET SET SPIDER 1970-82 VELOURS BLACK</b>	<b>DKK1,193.40</b>
<b>3</b>	<b>1712500</b>	<b>BOOT CARPET SET SPIDER 1983-89 CARBURETTOR MODELS VELOURS BLACK</b>	<b>DKK2,418.08</b>
<b>4</b>	<b>1712510</b>	<b>BOOT CARPET SET SPIDER 1983-89 INJECTION MODELS VELOURS BLACK</b>	<b>DKK2,574.63</b>
<b>5</b>	<b>1712520</b>	<b>BOOT CARPET SET SPIDER 1990-93, INJECTION MODEL, BLACK</b>	<b>DKK2,504.22</b>
<b>6</b>	<b>1712530</b>	<b>BOOT CARPET SET SPIDER 1990-93, INJECTION MODEL, BEIGE</b>	<b>DKK2,543.34</b>
<b>6</b>	<b>1712560</b>	<b>BOOT CARPET SET SPIDER 1990-93 CARBURETTOR MODEL, BEIGE</b>	<b>DKK2,856.33</b>



<b>1</b>	<b>1720520</b>	<b>FOOT MAT SET SPIDER 1966-69 BLACK VELOURS WITH RED BADGE</b>	<b>DKK508.65</b>
<b>2</b>	<b>1720521</b>	<b>FOOT MAT SET SPIDER 1966-69 VELOURS BLACK WITH EMBROIDERED BADGE</b>	<b>DKK665.19</b>
<b>3</b>	<b>1723740</b>	<b>FOOT MAT SET SPIDER 1970-85 VELOURS BLACK WITH RED BADGE</b>	<b>DKK508.65</b>
<b>4</b>	<b>1723741</b>	<b>FOOT MAT SET SPIDER 1970-85 VELOURS BLACK EMBROIDERED BADGE</b>	<b>DKK665.19</b>
<b>5</b>	<b>1721470</b>	<b>FOOT MAT SET SPIDER 1986-93 VELOURS BLACK WITH RED BADGE</b>	<b>DKK508.65</b>
<b>6</b>	<b>1721471</b>	<b>FOOT MAT SET SPIDER 1986-93 VELOURS BLACK WITH EMBROIDERED BADGE</b>	<b>DKK618.26</b>
<b>7</b>	<b>1723130</b>	<b>FOOT MAT SET SPIDER 1970-93 VELOURS SAND BEIGE WITH EMBROIDERED BADGE</b>	<b>DKK696.48</b>
<b>7</b>	<b>1723120</b>	<b>FOOT MAT SET SPIDER 1970-93 VELOURS BEIGE WITH EMBROIDERED BADGE</b>	<b>DKK665.19</b>



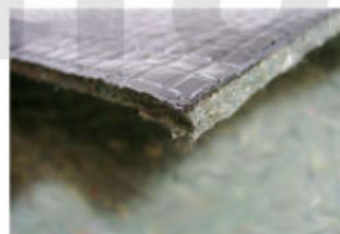
<b>1</b>	<b>1713910</b>	<b>TRANSMISSION TUNNEL MAT SET SPIDER 1966-69 VELOURS GRAY</b>	<b>DKK1,009.48</b>
<b>2</b>	<b>1713990</b>	<b>TRANSMISSION TUNNEL MAT SET SPIDER 1300/1600 1970-80 VELOURS GRAY</b>	<b>DKK853.03</b>

# Dämmmatten/Insulating Mats

---

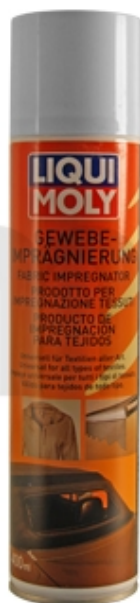


1. 970 235 0  
50X100 cm



**1 9702350** **INSULATING MAT ORIGINAL MATERIAL 50 x 100 cm**

**DKK196.40**



1



2



3

1	9760250	IMPREGNATION - HOOD MATERIAL 500 ML (31,25 EURO/LITRE)	DKK108.77
2	97607900	AUTOSOL CONVERTIBLE TOP CLEANER 500 ML (17,00 EURO/LITRE)	DKK77.48
3	9700200	GLUE SPRAY 400 ml (47,25 EURO/LITRE)	DKK227.69



<b>1</b>	<b>9111090</b>	<b>CAR COVER ECOLINE SPIDER 105/115 AND GT BERTONE, RED</b>	<b>DKK461.71</b>
<b>2</b>	<b>9111280</b>	<b>CAR COVER MADE TO MEASURE ALFA ROMEO SPIDER 1970-93 WITH LOGO, RED</b>	<b>DKK1,322.56</b>
<b>2</b>	<b>9112010</b>	<b>CAR COVER MADE TO MEASURE ALFA ROMEO SPIDER 1966-69 WITH BADGE, RED</b>	<b>DKK1,322.56</b>
<b>3</b>	<b>9111150</b>	<b>CAR COVER MADE TO MEASURE ALFA ROMEO SPIDER 1970-93 WITH BADGE, BLUE</b>	<b>DKK1,322.56</b>
<b>4</b>	<b>9112310</b>	<b>CAR COVER ALFA ROMEO GT BERTONE / SPIDER WEATHERPROOF, GREY</b>	<b>DKK1,009.48</b>

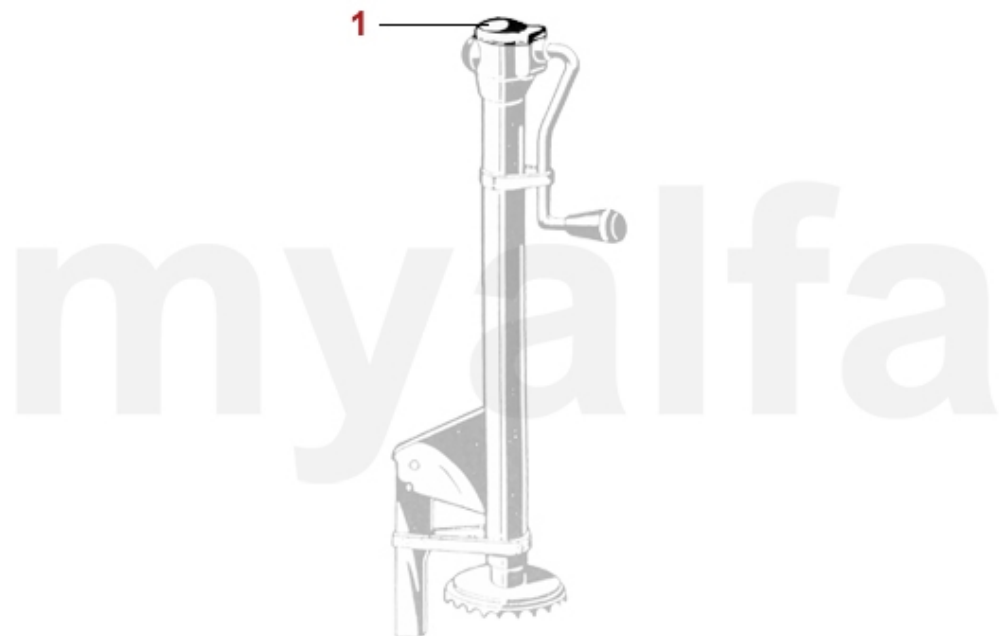
<b>1</b>	<b>9730010</b>	<b>FERTAN-CORROSION PROTECTION 30ML (43,30 EURO/100ML)</b>	<b>On request</b>
<b>2</b>	<b>9730020</b>	<b>FERTAN-CORROSION PROTECTION - 1 l</b>	<b>DKK461.71</b>
<b>3</b>	<b>9730210</b>	<b>CORROSION PROTECTION GREASE 750 g MIKE SANDER</b>	<b>DKK155.71</b>
<b>4</b>	<b>9730050</b>	<b>UNDERSEAL 1000 ml</b>	<b>On request</b>

myalfa



1 910092 CARRIER CHROME SPIDER 105 / 115

DKK1,166.02



**1 9811050 BATTAINI CAP FOR JACK TOP ALFA ROMEO 105 SERIES**

**DKK132.61**

<b>1</b>	<b>9822260</b>	<b>BATTERY CHARGER AB-4 ABSAAR</b>	<b>DKK371.76</b>
<b>2</b>	<b>9822250</b>	<b>BATTERY LIFE SAFER</b>	<b>DKK301.26</b>

<b>1</b>	<b>1590130</b>	<b>REPLACEMENTS BULBS BOX (WITH H4 BULB)</b>	<b>DKK312.25</b>
<b>1</b>	<b>1590140</b>	<b>REPLACEMENTS BULBS BOX (WITH BILUX BULB)</b>	<b>DKK312.25</b>

